

Oracle® TimesTen In-Memory Database

C Developer's Guide

11g Release 2 (11.2.2)

E21637-04

September 2012

E21637-04

Copyright © 1996, 2012, Oracle and/or its affiliates. All rights reserved.

This software and related documentation are provided under a license agreement containing restrictions on use and disclosure and are protected by intellectual property laws. Except as expressly permitted in your license agreement or allowed by law, you may not use, copy, reproduce, translate, broadcast, modify, license, transmit, distribute, exhibit, perform, publish, or display any part, in any form, or by any means. Reverse engineering, disassembly, or decompilation of this software, unless required by law for interoperability, is prohibited.

The information contained herein is subject to change without notice and is not warranted to be error-free. If you find any errors, please report them to us in writing.

If this is software or related documentation that is delivered to the U.S. Government or anyone licensing it on behalf of the U.S. Government, the following notice is applicable:

U.S. GOVERNMENT END USERS: Oracle programs, including any operating system, integrated software, any programs installed on the hardware, and/or documentation, delivered to U.S. Government end users are "commercial computer software" pursuant to the applicable Federal Acquisition Regulation and agency-specific supplemental regulations. As such, use, duplication, disclosure, modification, and adaptation of the programs, including any operating system, integrated software, any programs installed on the hardware, and/or documentation, shall be subject to license terms and license restrictions applicable to the programs. No other rights are granted to the U.S. Government.

This software or hardware is developed for general use in a variety of information management applications. It is not developed or intended for use in any inherently dangerous applications, including applications that may create a risk of personal injury. If you use this software or hardware in dangerous applications, then you shall be responsible to take all appropriate fail-safe, backup, redundancy, and other measures to ensure its safe use. Oracle Corporation and its affiliates disclaim any liability for any damages caused by use of this software or hardware in dangerous applications.

Oracle and Java are registered trademarks of Oracle and/or its affiliates. Other names may be trademarks of their respective owners.

Intel and Intel Xeon are trademarks or registered trademarks of Intel Corporation. All SPARC trademarks are used under license and are trademarks or registered trademarks of SPARC International, Inc. AMD, Opteron, the AMD logo, and the AMD Opteron logo are trademarks or registered trademarks of Advanced Micro Devices. UNIX is a registered trademark of The Open Group.

This software or hardware and documentation may provide access to or information on content, products, and services from third parties. Oracle Corporation and its affiliates are not responsible for and expressly disclaim all warranties of any kind with respect to third-party content, products, and services. Oracle Corporation and its affiliates will not be responsible for any loss, costs, or damages incurred due to your access to or use of third-party content, products, or services.

Contents

Preface	xi
Audience.....	xi
Related documents	xi
Conventions	xii
Documentation Accessibility	xiii
What's New	xv
New features in Release 11.2.2.4.0	xv
New features in Release 11.2.2.2.0	xv
New features in Release 11.2.2.0.0	xv
1 C Development Environment	
Setting the environment for development	1-1
Linking options	1-1
Linking without an ODBC driver manager	1-2
Linking with an ODBC driver manager	1-2
Compiling and linking applications	1-3
Compiling and linking applications on Windows	1-3
Compiling and linking applications on UNIX.....	1-4
About the TimesTen C demos	1-5
2 Working with TimesTen Databases in ODBC	
Managing TimesTen database connections	2-1
SQLConnect, SQLDriverConnect, SQLAllocConnect, SQLDisconnect functions.....	2-2
Connecting to and disconnecting from a database	2-2
Setting connection attributes programmatically	2-6
Access control for connections	2-6
Managing TimesTen data	2-6
TimesTen include files.....	2-7
SQL statement execution within C applications.....	2-7
SQLExecDirect and SQLExecute functions	2-7
Executing a SQL statement.....	2-8
Preparing and executing queries and working with cursors	2-8
TimesTen deferred prepare	2-10
Prefetching multiple rows of data	2-11

Binding parameters and executing statements.....	2-11
SQLBindParameter function	2-12
Determination of parameter type assignments and type conversions	2-13
Binding input parameters.....	2-14
Binding output parameters	2-15
Binding input/output parameters	2-16
Binding duplicate parameters in SQL statements.....	2-16
Binding duplicate parameters in PL/SQL	2-18
Considerations for floating point data.....	2-18
Using SQL_WCHAR and SQL_WVARCHAR with a driver manager.....	2-18
Working with REF CURSORS	2-19
Working with DML returning (RETURNING INTO clause)	2-21
Working with rowids	2-22
Working with LOBs	2-23
About LOBs.....	2-23
Differences between TimesTen LOBs and Oracle Database LOBs	2-23
LOB programming interfaces.....	2-24
Using the LOB simple data interface in ODBC	2-24
Using the LOB piecewise data interface in ODBC	2-24
Passthrough LOBs in ODBC.....	2-26
Making and committing changes to the database.....	2-26
Using additional TimesTen data management features	2-27
Using CALL to execute procedures and functions	2-28
Setting a timeout or threshold for executing SQL statements	2-29
Setting a timeout duration for SQL statements	2-29
Setting a threshold duration for SQL statements	2-30
Features for use with IMDB cache	2-30
Setting temporary passthrough level with the ttOptSetFlag built-in procedure	2-30
Determining passthrough status	2-31
Managing cache groups	2-31
Setting globalization options	2-31
TT_NLS_SORT	2-31
TT_NLS_LENGTH_SEMANTICS	2-32
TT_NLS_NCHAR_CONV_EXCP.....	2-32
Features for use with replication	2-32
ODBC 3.0 data types.....	2-33
Considering TimesTen features for access control	2-33
Handling Errors	2-34
Checking for errors	2-35
Error and warning levels	2-35
Fatal errors	2-35
Non-fatal errors	2-36
Warnings	2-36
Abnormal termination.....	2-36
Recovering after fatal errors	2-36
Using automatic client failover in your application.....	2-36
Functionality of automatic client failover.....	2-37

Configuration of automatic client failover	2-38
Failover callback functions	2-38

3 TimesTen Support for OCI

Overview of OCI	3-1
Overview of TimesTen OCI support	3-2
OCI libraries and architecture	3-2
Globalization support.....	3-3
Character sets.....	3-3
Additional globalization features.....	3-4
TimesTen restrictions and differences	3-5
Oracle Database features not supported	3-5
Additional TimesTen OCI restrictions.....	3-5
Additional TimesTen OCI differences	3-6
The ttSrcScan utility	3-6
Getting started with TimesTen OCI	3-6
Environment variables for TimesTen OCI	3-7
Compiling and linking OCI applications	3-9
Connecting to a TimesTen database from OCI.....	3-9
Using the tnsnames naming method to connect	3-9
Using an easy connect string to connect.....	3-10
Configuring whether to use tnsnames.ora or easy connect.....	3-11
Connecting as an externally identified user in OCI.....	3-11
Error reporting.....	3-12
Signal handling and diagnostic framework considerations	3-12
OCI demo programs	3-12
Additional features of TimesTen OCI	3-12
TimesTen deferred prepare	3-13
Parameter binding features in TimesTen OCI	3-13
Duplicate parameter bindings in TimesTen OCI	3-13
Associative array bindings in TimesTen OCI.....	3-13
IMDB Cache with TimesTen OCI	3-18
Specifying the Oracle Database password in OCI for IMDB Cache.....	3-18
Determining the number of cache groups affected by an action	3-19
LOBs in TimesTen OCI.....	3-19
LOB locators in OCI.....	3-19
Temporary LOBs in OCI	3-20
Differences between TimesTen LOBs and Oracle Database LOBs in OCI	3-20
Using the LOB simple data interface in OCI.....	3-21
Using the LOB locator interface in OCI	3-22
OCI client-side buffering	3-26
LOB prefetching in OCI	3-27
Passthrough LOBs in OCI.....	3-27
TimesTen OCI support reference	3-29
Supported OCI calls.....	3-30
Supported handles and attributes	3-35
Supported descriptors	3-37

Supported SQL data types.....	3-37
Supported parameter attributes.....	3-38

4 TimesTen Support for Pro*C/C++

Overview of the Oracle Pro*C/C++ Precompiler	4-1
Overview of TimesTen support for Pro*C/C++	4-1
TimesTen OCI support.....	4-2
Embedded SQL support and restrictions	4-2
Semantic checking restrictions	4-2
Embedded PL/SQL restrictions.....	4-3
Transaction restrictions	4-3
Connection restrictions.....	4-3
Summary of unsupported or restricted executable commands and clauses.....	4-4
The ttSrcScan utility	4-5
Getting started with TimesTen Pro*C/C++	4-5
Environment and configuration for TimesTen Pro*C/C++	4-5
Building a Pro*C/C++ application.....	4-5
Connecting to a TimesTen database from Pro*C/C++	4-6
Connection syntax and parameters.....	4-6
Using tnsnames or easy connect.....	4-7
Specifying the Oracle Database password in Pro*C/C++ for IMDB Cache	4-7
Connecting as an externally identified user in Pro*C/C++	4-8
Error reporting and handling.....	4-8
Pro*C/C++ demo programs.....	4-9
Additional features of TimesTen Pro*C/C++	4-9
Associative array bindings in TimesTen Pro*C/C++	4-9
LOBs in TimesTen Pro*C/C++	4-10
Using the LOB simple data interface in Pro*C/C++	4-10
Using the LOB locator interface in Pro*C/C++.....	4-11
TimesTen Pro*C/C++ Precompiler options	4-14
Precompiler option support	4-14
Setting precompiler options	4-16

5 XLA and TimesTen Event Management

XLA concepts	5-1
XLA basics	5-2
How XLA reads records from the transaction log	5-2
About XLA and materialized views	5-3
About XLA bookmarks	5-4
Creating or reusing a bookmark.....	5-4
How bookmarks work	5-4
Replicated bookmarks.....	5-6
XLA bookmarks and transaction log holds.....	5-6
About XLA data types.....	5-7
Access control impact on XLA	5-8
XLA limitations	5-8
XLA demo	5-9

Writing an XLA event-handler application	5-9
Obtaining a database connection handle.....	5-10
Initializing XLA and obtaining an XLA handle.....	5-11
Specifying which tables to monitor for updates.....	5-11
Retrieving update records from the transaction log.....	5-13
Inspecting record headers and locating row addresses	5-15
Inspecting column data	5-17
Obtaining column descriptions.....	5-18
Reading fixed-length column data	5-19
Reading NOT INLINE variable-length column data.....	5-20
Null-terminating returned strings.....	5-22
Converting complex data types	5-23
Detecting null values.....	5-25
Putting it all together: a PrintColValues() function	5-25
Handling XLA errors.....	5-28
Dropping a table that has an XLA bookmark	5-30
Deleting bookmarks.....	5-31
Terminating an XLA application	5-32
Using XLA as a replication mechanism	5-34
Checking table compatibility between databases	5-35
Checking table and column descriptions	5-35
Checking table and column versions	5-35
Replicating updates between databases	5-36
Handling timeout and deadlock errors	5-37
Checking for update conflicts.....	5-38
Replicating updates to a non-TimesTen database.....	5-38
Other XLA features	5-39
Changing the location of a bookmark.....	5-39
Passing application context	5-39

6 Distributed Transaction Processing: XA

Overview of XA	6-1
X/Open DTP model.....	6-1
Two-phase commit.....	6-2
Using XA in TimesTen	6-3
TimesTen database requirements for XA	6-3
Global transaction recovery in TimesTen.....	6-3
Considerations in using standard XA functions with TimesTen.....	6-4
xa_open().....	6-4
xa_close().....	6-4
Transaction id (XID) parameter	6-4
TimesTen tt_xa_context function to obtain ODBC handle from XA connection.....	6-4
Considerations in calling ODBC functions over XA connections in TimesTen.....	6-6
Autocommit.....	6-6
Local transaction COMMIT and ROLLBACK	6-6
Closing open cursors	6-6
XA resource manager switch.....	6-6

xa_switch_t.....	6-6
tt_xa_switch	6-7
XA error handling in TimesTen	6-7
XA support through the Windows ODBC driver manager.....	6-8
Issues to consider	6-8
Linking to the TimesTen ODBC XA driver manager extension library.....	6-8
Configuring Tuxedo to use TimesTen XA.....	6-8
Update the \$TUXDIR/udataobj/RM file	6-9
Build the Tuxedo transaction manager server.....	6-9
Update the GROUPS section in the UBBCONFIG file.....	6-10
Compile the servers	6-10

7 ODBC Application Tuning

Bypass driver manager if appropriate.....	7-1
Using arrays of parameters for batch execution	7-1
Avoid excessive binds.....	7-2
Avoid SQLGetData	7-2
Avoid data type conversions	7-3
Bulk fetch rows of TimesTen data.....	7-3

8 TimesTen Utility API

ttBackup	8-2
ttDestroyDataStore.....	8-6
ttDestroyDataStoreForce.....	8-8
ttRamGrace	8-10
ttRamLoad.....	8-11
ttRamPolicy	8-12
ttRamUnload	8-14
ttRepDuplicateEx	8-15
ttRestore	8-20
ttUtilAllocEnv	8-22
ttUtilFreeEnv	8-24
ttUtilGetError	8-26
ttUtilGetErrorCount.....	8-28
ttXactIdRollback.....	8-30

9 XLA Reference

About XLA functions.....	9-1
About return codes	9-1
About parameter types (input, output, input/output)	9-1
About results output by functions.....	9-1
About required privileges.....	9-2
Summary of XLA functions by category.....	9-2
XLA core functions	9-2
XLA data type conversion functions.....	9-3
XLA replication functions	9-4

XLA function reference	9-5
ttXlaAcknowledge.....	9-6
ttXlaClose	9-8
ttXlaConvertCharType	9-9
ttXlaDateToODBCCType	9-10
ttXlaDecimalToCString	9-11
ttXlaDeleteBookmark.....	9-13
ttXlaError	9-14
ttXlaErrorRestart	9-16
ttXlaGetColumnInfo	9-17
ttXlaGetLSN	9-19
ttXlaGetTableInfo	9-20
ttXlaGetVersion	9-21
ttXlaNextUpdate	9-22
ttXlaNextUpdateWait	9-24
ttXlaNumberToBigInt.....	9-26
ttXlaNumberToCString	9-27
ttXlaNumberToDouble.....	9-28
ttXlaNumberToInt.....	9-29
ttXlaNumberToSmallInt.....	9-30
ttXlaNumberToTinyInt	9-31
ttXlaNumberToUInt.....	9-32
ttXlaOraDateToODBCTimeStamp.....	9-33
ttXlaOraTimeStampToODBCTimeStamp.....	9-34
ttXlaPersistOpen.....	9-35
ttXlaRowidToCString	9-37
ttXlaSetLSN	9-38
ttXlaSetVersion	9-39
ttXlaTableByName	9-40
ttXlaTableStatus.....	9-41
ttXlaTableVersionVerify.....	9-44
ttXlaTimeToODBCCType	9-46
ttXlaTimeStampToODBCCType.....	9-47
ttXlaVersionColumnInfo	9-48
ttXlaVersionCompare	9-49
ttXlaVersionTableInfo.....	9-51
XLA replication function reference	9-52
ttXlaApply	9-53
ttXlaCommit.....	9-55
ttXlaGenerateSQL.....	9-56
ttXlaLookup	9-58
ttXlaRollback.....	9-60
ttXlaTableCheck	9-61
C data structures used by XLA	9-63
ttXlaNodeHdr_t.....	9-64
ttXlaUpdateDesc_t	9-65
Special update data formats	9-68

Locating the row data following a ttXlaUpdateDesc_t header	9-72
ttXlaVersion_t	9-73
ttXlaTblDesc_t.....	9-74
ttXlaTblVerDesc_t	9-75
ttXlaColDesc_t	9-76
tt_LSN_t.....	9-79
tt_XlaLsn_t	9-80

10 TimesTen ODBC Functions and Options

Supported ODBC functions	10-1
Option support for ODBC connection and statement functions	10-3
Option support for SQLSetConnectOption and SQLGetConnectOption	10-3
Option support for SQLSetStmtOption and SQLGetStmtOption.....	10-5
Information type support for SQLGetInfo	10-7
Column descriptor support for SQLColAttributes	10-8

Index

Preface

Oracle TimesTen In-Memory Database is a memory-optimized relational database. Deployed in the application tier, TimesTen operates on databases that fit entirely in physical memory using standard SQL interfaces. High availability for the in-memory database is provided through real-time transactional replication.

TimesTen supports a variety of programming interfaces, including PL/SQL (Oracle procedural language extension for SQL), ODBC (Open Database Connectivity), JDBC (Java Database Connectivity), OCI (Oracle Call Interface), Pro*C/C++ (Oracle precompiler for embedded SQL and PL/SQL instructions in C or C++ code), TTClasses (TimesTen C++ Interface Classes), and ODP.NET (Oracle Data Provider for .NET).

This document covers TimesTen support for ODBC, OCI, and Pro*C/C++.

The following topics are discussed in the preface:

- [Audience](#)
- [Related documents](#)
- [Conventions](#)
- [Documentation Accessibility](#)

Audience

This guide is for anyone developing or supporting applications that use TimesTen through ODBC, OCI, or Pro*C/C++.

In addition to familiarity with the particular programming interface you use, you should be familiar with TimesTen, SQL (Structured Query Language), and database operations.

Related documents

TimesTen documentation is available on the product distribution media and on the Oracle Technology Network:

<http://www.oracle.com/technetwork/products/timesten/documentation/>

Oracle documentation is also available on the Oracle Technology network. This may be especially useful for Oracle features that TimesTen supports but does not attempt to fully document, such as OCI and Pro*C/C++:

<http://www.oracle.com/technetwork/database/enterprise-edition/documentation/>

In particular, the following Oracle documents may be of interest.

- *Oracle Call Interface Programmer's Guide*
- *Pro*C/C++ Programmer's Guide*
- *Oracle Database Globalization Support Guide*
- *Oracle Database Net Services Administrator's Guide*
- *Oracle Database SQL Language Reference*

This manual frequently refers to ODBC API reference documentation for further information. This is available from Microsoft or a variety of third parties. For example:

[http://msdn.microsoft.com/en-us/library/ms714562\(VS.85\).aspx](http://msdn.microsoft.com/en-us/library/ms714562(VS.85).aspx)

Note that TimesTen supports ODBC 2.5, Extension Level 1, with additional features for Extension Level 2 where those features are included in [Chapter 10, "TimesTen ODBC Functions and Options"](#).

Conventions

TimesTen supports multiple platforms. Unless otherwise indicated, the information in this guide applies to all supported platforms. The term Windows applies to all supported Windows platforms. The term UNIX applies to all supported UNIX and Linux platforms. Refer to the "Platforms" section in *Oracle TimesTen In-Memory Database Release Notes* for specific platform versions supported by TimesTen.

Note: In TimesTen documentation, the terms "data store" and "database" are equivalent. Both terms refer to the TimesTen database unless otherwise noted.

This document uses the following text conventions:

Convention	Meaning
<i>italic</i>	Italic type indicates terms defined in text, book titles, or emphasis.
monospace	Monospace type indicates code, commands, URLs, function names, attribute names, directory names, file names, text that appears on the screen, or text that you enter.
<i>italic monospace</i>	Italic monospace type indicates a placeholder or a variable in a code example for which you specify or use a particular value. For example: <code>Driver=<i>install_dir</i>/lib/libtten.sl</code> Replace <i>install_dir</i> with the path of your TimesTen installation directory.
[]	Square brackets indicate that an item in a command line is optional.
{ }	Curly braces indicated that you must choose one of the items separated by a vertical bar () in a command line.
	A vertical bar (or pipe) separates alternative arguments.
...	An ellipsis (. . .) after an argument indicates that you may use more than one argument on a single command line. An ellipsis in a code example indicates that what is shown is only a partial example.
%	The percent sign indicates the UNIX shell prompt.

In addition, TimesTen documentation uses the following special conventions.

Convention	Meaning
<i>install_dir</i>	The path that represents the directory where TimesTen is installed.
<i>TTinstance</i>	The instance name for your specific installation of TimesTen. Each installation of TimesTen must be identified at installation time with a unique instance name. This name appears in the installation path.
<i>bits</i> or <i>bb</i>	Two digits, either 32 or 64, that represent either a 32-bit or 64-bit operating system.
<i>release</i> or <i>rr</i>	The first three parts in a release number, with or without dots. The first three parts of a release number represent a major TimesTen release. For example, 1122 or 11.2.2 represents TimesTen 11g Release 2 (11.2.2).
<i>DSN</i>	TimesTen data source name (for the TimesTen database).

Documentation Accessibility

For information about Oracle's commitment to accessibility, visit the Oracle Accessibility Program website at

<http://www.oracle.com/pls/topic/lookup?ctx=acc&id=docacc>.

Access to Oracle Support

Oracle customers have access to electronic support through My Oracle Support. For information, visit <http://www.oracle.com/pls/topic/lookup?ctx=acc&id=info> or visit <http://www.oracle.com/pls/topic/lookup?ctx=acc&id=trs> if you are hearing impaired.

What's New

This section summarizes new features and functionality of Oracle TimesTen In-Memory Database 11g Release 2 (11.2.2) that are documented in this guide, providing links into the guide for more information.

New features in Release 11.2.2.4.0

- This release of the document provides information about TimesTen support for the ODBC `SQLGetInfo` and `SQLColAttributes` functions.
See [Chapter 10, "TimesTen ODBC Functions and Options"](#).

New features in Release 11.2.2.2.0

- `SQLCancel` support enhancements
A previous restriction for canceling an operation running on a statement handle on another thread has been removed.
See ["Supported ODBC functions"](#) on page 10-1 for further information on TimesTen support of the ODBC `SQLCancel` function.

New features in Release 11.2.2.0.0

- LOB support
TimesTen supports LOBs (large objects). This includes CLOBs (character LOBs), NCLOBs (national character LOBs), and BLOBs (binary LOBs).
For details of support in the C APIs, refer to ["Working with LOBs"](#) on page 2-23 (general LOB overview and support for ODBC), ["LOBs in TimesTen OCI"](#) on page 3-19, and ["LOBs in TimesTen Pro*C/C++"](#) on page 4-10.
- Associative array binding
Associative arrays, formerly known as index-by tables or PL/SQL tables, are supported as `IN`, `OUT`, or `IN OUT` bind parameters in TimesTen PL/SQL, such as from an OCI or Pro*C/C++ application. (This is not relevant for TimesTen ODBC applications.) This enables arrays of data to be passed efficiently between an application and the database.
See ["Associative array bindings in TimesTen OCI"](#) on page 3-13 and ["Associative array bindings in TimesTen Pro*C/C++"](#) on page 4-9.
- ODBC "W" functions

TimesTen now supports some "W" (wide-character) versions of ODBC functions. For example, `SQLGetConnectOptionW` is supported in addition to `SQLGetConnectOption`.

See "[Supported ODBC functions](#)" on page 10-1.

- Deprecation of non-persistent XLA

Features for XLA non-persistent mode have been deprecated and removed from the documentation. Use utilities and APIs for persistent XLA only.

C Development Environment

This chapter provides information about the C development environment and related considerations for developing TimesTen applications. The following topics are covered:

- [Setting the environment for development](#)
- [Linking options](#)
- [Compiling and linking applications](#)
- [About the TimesTen C demos](#)

Setting the environment for development

Environment variable settings for TimesTen are discussed in "Environment variables" in the *Oracle TimesTen In-Memory Database Installation Guide*.



On UNIX platforms, set the environment for TimesTen by using one of the following scripts:

```
install_dir/bin/ttenv.sh  
install_dir/bin/ttenv.csh
```



On Windows, set the environment during installation or use the following:

```
install_dir\bin\ttenv.bat
```

Notes:

- The `ttenv` scripts also configure access to the Oracle Instant Client, required for OCI programming.
 - You can optionally use the appropriate `ttquickstartenv` script instead of `ttenv`. This is a superset of `ttenv` that also sets up the TimesTen Quick Start demo environment.
 - To ensure proper generation of OCI and Pro*C/C++ programs to be run on TimesTen, do not set `ORACLE_HOME` (or unset it if it was set previously) for OCI and Pro*C/C++ compilations.
-
-

Linking options

A TimesTen application can link specifically with the TimesTen ODBC direct driver or ODBC client driver without a driver manager, or can link with a driver manager.

Linking without an ODBC driver manager

Applications to be used solely with TimesTen can link specifically with either the TimesTen ODBC direct driver or the ODBC client driver, without a driver manager. This avoids the performance overhead of a driver manager and is the simplest way to access TimesTen. However, developers of applications linked without a driver manager should be aware of the following issues.

- The application can only connect to a DSN that uses the driver with which it is linked. It cannot connect to a database of any other vendor, nor can it connect to a TimesTen DSN of a different TimesTen driver or a different version or type.
- Windows ODBC tracing is not available.
- The ODBC cursor library is not available.
- Applications cannot use ODBC functions that are usually implemented by a driver manager, such as `SQLDataSources` and `SQLDrivers`.
- Applications that use `SQLCancel` to close a cursor instead of `SQLFreeStmt(..., SQL_CLOSE)` will receive a return code of `SQL_SUCCESS_WITH_INFO` and a SQL state of `01S05`. This warning is intended to be used by the driver manager to manage its internal state. Applications should treat this warning as success.

Linking with an ODBC driver manager

Applications that link with the ODBC driver manager can connect to any DSN that references an ODBC driver and can even connect simultaneously to multiple DSNs that use different ODBC drivers. Note, however, that driver managers are not available by default on most non-Windows platforms. In addition, using a driver manager may add significant synchronization overhead to every ODBC function call and has the following limitations:

- The TimesTen option `TT_PREFETCH_COUNT` cannot be used with applications that link with a driver manager. For more information on using `TT_PREFETCH_COUNT`, see "[Prefetching multiple rows of data](#)" on page 2-11.
- Applications cannot set or reset the TimesTen-specific `TT_PREFETCH_CLOSE` connection option. For more information about using the `TT_PREFETCH_CLOSE` connection option, see "Enable `TT_PREFETCH_CLOSE` for Serializable transactions" in the *Oracle TimesTen In-Memory Database Operations Guide*.
- Transaction Log API (XLA) calls cannot be used when applications are linked with a driver manager.
- The ODBC C types `SQL_C_BIGINT`, `SQL_C_TINYINT`, and `SQL_C_WCHAR` are not supported for an application linked with a driver manager when used with TimesTen. You cannot call methods that have any of these types in their signatures.
- The driver manager does not support LOB locator APIs or LOB data types, which are not part of the ODBC standard. However, you can use the LOB simple data interface or piecewise data interface as documented in "[Working with LOBs](#)" on page 2-23.

Note: TimesTen supplies a driver manager for both Windows and UNIX with the Quick Start sample applications. This driver manager is not fully supported. It supports only the TimesTen direct driver and client driver and does not have the functionality or performance limitations described above. Applications that must concurrently use both direct connections and client/server connections to TimesTen can use this driver manager to achieve this with very little impact on performance.

Compiling and linking applications

This section discusses compiling and linking C applications on Windows or UNIX.

Compiling and linking applications on Windows



To compile TimesTen applications on Windows, you are not required to specify the location of the ODBC include files. These files are included with Microsoft Visual C++. However, you must indicate the location of TimesTen include files by using the `/I` compiler option. (See "TimesTen include files" on page 2-7.)

The Makefile in [Example 1-1](#) shows how to build a TimesTen application on Windows systems. This example assumes that `install_dir\lib` has already been added to the LIB environment variable.

Example 1-1 Building a TimesTen application in Windows

```
CFLAGS = "/Iinstall_dir\"
LIBSDM = ODBC32.LIB
LIBS = tten1122.lib ttdv1122.lib
LIBSDEBUG = tten1122d.lib ttdv1122d.lib
LIBSCS = ttclient1122.lib

# Link with the ODBC driver manager
appldm.exe:appl.obj
    $(CC) /Feappldm.exe appl.obj $(LIBSDM)

# Link directly with the TimesTen
# ODBC production driver
appl.exe:appl.obj
    $(CC) /Feappl.exe appl.obj\
    $(LIBS)

# Link directly with the TimesTen
# ODBC debug driver
appldebug.exe:appl.obj
    $(CC) /Feappldebug.exe appl.obj\
    $(LIBSDEBUG)

# Link directly with the TimesTen
# ODBC client driver
applcs.exe:appl.obj
    $(CC) /Feapplcs.exe appl.obj\
    $(LIBSCS)
```

Compiling and linking applications on UNIX



On UNIX platforms:

- Compile TimesTen applications using the TimesTen header files from the TimesTen installation directory.
- Link with the TimesTen ODBC direct driver or client driver, each of which is provided as a shared library.

On UNIX, applications using the `SQL_C_ULONG`, `SQL_C_SLONG`, `SQL_C_USHORT` or `SQL_C_SSHORT` ODBC data types must specify the `TT_USE_ALL_TYPES` preprocessor option while compiling. This is typically done using the `-DTT_USE_ALL_TYPES` C compiler option.

To use the TimesTen include files, add the following to the C compiler command, where `install_dir` is the TimesTen installation directory path:

```
-Iinstall_dir/
```

To link with the TimesTen ODBC direct driver, add the following to the link command:

```
-Linstall_dir/lib -lppen
```

The `-L` option tells the linker to search the TimesTen `lib` directory for library files. The `-lppen` option links in the TimesTen ODBC direct driver.

To link with the TimesTen ODBC client driver, add the following to the link command:

```
-Linstall_dir/lib -lppclient
```



On Solaris, the default TimesTen ODBC client driver was compiled with Studio 11. The library enables you to link an application compiled with the Sun Studio 11 C/C++ compiler directly with the TimesTen client.



On AIX, when linking applications with the TimesTen ODBC client driver, the C++ runtime library must be included in the link command (because the client driver is written in C++ and AIX does not link it automatically) and must follow the client driver:

```
-Linstall_dir/lib -lppclient -lC_r
```

You can use Makefiles in subdirectories under the `quickstart/sample_code` directory, or you can use [Example 1-2](#) to guide you in creating your own Makefile.

Example 1-2 Makefile to link the application

```
CFLAGS = -Iinstall_dir/
LIBS = -Linstall_dir/lib -lppen
LIBSDEBUG = -Linstall_dir/lib -lppenD
LIBSCS = -Linstall_dir/lib -lppclient

# Link directly with the TimesTen
# ODBC production driver
appl:appl.o
    $(CC) -o appl appl.o $(LIBS)

# Link directly with the TimesTen ODBC debug driver
appldebug:appl.o
    $(CC) -o appldebug appl.o $(LIBSDEBUG)
```

```
# Link directly with the TimesTen client driver
applcs:appl.o
$(CC) -o applcs appl.o $(LIBSCS)
```

Notes:

- To directly link your application to the debug TimesTen ODBC driver, substitute `-lppenD` for `-lppen` on the link line.
 - On Solaris, when compiling with Sun C/C++ compilers, TimesTen applications must be compiled and linked with the `-mt` option.
-
-

About the TimesTen C demos

After you have configured your C environment, you can confirm that everything is set up correctly by compiling and running TimesTen Quick Start demo applications. Refer to the Quick Start welcome page at `install_dir/quickstart.html`, especially the links under SAMPLE PROGRAMS, for information on the following topics.

- Demo schema and setup: The `build_sampledb` script (`.sh` on UNIX or `.bat` on Windows) creates a sample database and demo schema. You must use this before you start using the demos.
- Demo environment and setup: The `ttquickstartenv` script (`.sh` or `.csh` on UNIX or `.bat` on Windows), a superset of the `ttenv` script generally used for TimesTen setup, sets up the demo environment. You must use this each time you enter a session where you want to compile or run any of the demos.
- Demos and setup: TimesTen provides demos for ODBC, XLA, OCI, Pro*C/C++, and ODP.NET in subdirectories under the `quickstart/sample_code` directory. For instructions on compiling and running the demos, see the README files in the subdirectories.
- What the demos do: A synopsis of each demo is provided when you click the categories under SAMPLE PROGRAMS.

Working with TimesTen Databases in ODBC

This chapter covers TimesTen programming features and describes how to use ODBC to connect to and use the TimesTen database. It includes the following topics:

- [Managing TimesTen database connections](#)
- [Managing TimesTen data](#)
- [Using additional TimesTen data management features](#)
- [Considering TimesTen features for access control](#)
- [Handling Errors](#)
- [Using automatic client failover in your application](#)

Note that TimesTen supports ODBC 2.5, Extension Level 1, with additional features for Extension Level 2 where those features are included in [Chapter 10, "TimesTen ODBC Functions and Options"](#).

Notes:

- For using OCI to access TimesTen from a C application, see [Chapter 3, "TimesTen Support for OCI"](#).
 - For using Pro*C/C++ to access TimesTen from a C application, see [Chapter 4, "TimesTen Support for Pro*C/C++"](#).
 - For accessing TimesTen from a C++ application, see *Oracle TimesTen In-Memory Database TTClasses Guide*.
 - For accessing TimesTen from a C# application, see *Oracle Data Provider for .NET Oracle TimesTen In-Memory Database Support User's Guide*.
-
-

Managing TimesTen database connections

The *Oracle TimesTen In-Memory Database Operations Guide* contains information about creating a DSN for the database. The type of DSN you create depends on whether your application will connect directly to the database or will connect by a client.

If you intend to connect directly to the database, refer to "Managing TimesTen Databases" in *Oracle TimesTen In-Memory Database Operations Guide*. There are sections on creating a DSN for a direct connection from UNIX or Windows.

If you intend to create a client connection to the database, refer to "Working with the TimesTen Client and Server" in *Oracle TimesTen In-Memory Database Operations Guide*.

There are sections on creating a DSN for a client/server connection from UNIX or Windows.

Notes:

- In TimesTen, the user name and password must be for a valid user who has been granted `CREATE SESSION` privilege to connect to the database.
 - A TimesTen connection cannot be inherited from a parent process. If a process opens a database connection before creating (forking) a child process, the child must not use the connection.
-
-

The rest of this section covers the following topics:

- [SQLConnect, SQLDriverConnect, SQLAllocConnect, SQLDisconnect functions](#)
- [Connecting to and disconnecting from a database](#)
- [Setting connection attributes programmatically](#)
- [Access control for connections](#)

SQLConnect, SQLDriverConnect, SQLAllocConnect, SQLDisconnect functions

The following ODBC functions are available for connecting to a database and related functionality:

- `SQLConnect`: Loads a driver and connects to the database. The connection handle points to where information about the connection is stored, including status, transaction state, results, and error information.
- `SQLDriverConnect`: This is an alternative to `SQLConnect` when more information is required than what is supported by `SQLConnect`, which is just data source (the database), user name, and password.
- `SQLAllocConnect`: Allocates memory for a connection handle within the specified environment.
- `SQLDisconnect`: Disconnect from the database. Takes the existing connection handle as its only argument.

Refer to ODBC API reference documentation for additional details about these functions.

Connecting to and disconnecting from a database

This section provides examples of connecting to and disconnecting from the database.

Example 2-1 Connect and disconnect (excerpt)

This code fragment invokes `SQLConnect` and `SQLDisconnect` to connect to and disconnect from the database named `FixedDs`. The first invocation of `SQLConnect` by any application causes the creation of the `FixedDs` database. Subsequent invocations of `SQLConnect` would connect to the existing database.

```
#include <sql.h>
SQLRETURN retcode;
SQLHDBC hdbc;
```

```
...
```



```

retcode = SQLConnect(hdbc,
                    (SQLCHAR*)"FixedDs", SQL_NTS,
                    (SQLCHAR*)"johndoe", SQL_NTS,
                    (SQLCHAR*)"opensesame", SQL_NTS);
...
retcode = SQLDisconnect(hdbc);
...

```

Example 2-2 Connect and disconnect (complete program)

This example contains a complete program that creates, connects to, and disconnects from a database. The example uses `SQLDriverConnect` instead of `SQLConnect` to set up the connection, and uses `SQLAllocConnect` to allocate memory. It also shows how to get error messages. (In addition, you can refer to ["Handling Errors"](#) on page 2-34.)

```

#ifdef WIN32
#include <windows.h>
#else
#include <sqlunix.h>
#endif
#include <sql.h>
#include <sqlext.h>
#include <stdio.h>
#include <string.h>
#include <stdlib.h>

static void chkReturnCode(SQLRETURN rc, SQLHENV henv,
                        SQLHDBC hdbc, SQLHSTMT hstmt,
                        char* msg, char* filename,
                        int lineno, BOOL err_is_fatal);
#define DEFAULT_CONNSTR "DSN=sampled_b_1122;PermSize=32"

int
main(int ac, char** av)
{
    SQLRETURN rc = SQL_SUCCESS;
        /* General return code for the API */
    SQLHENV henv = SQL_NULL_HENV;
        /* Environment handle */
    SQLHDBC hdbc = SQL_NULL_HDBC;
        /* Connection handle */
    SQLHSTMT hstmt = SQL_NULL_HSTMT;
        /* Statement handle */
    SQLCHAR connOut[255];
        /* Buffer for completed connection string */
    SQLSMALLINT connOutLen;
        /* Number of bytes returned in ConnOut */
    SQLCHAR *connStr = (SQLCHAR*)DEFAULT_CONNSTR;
        /* Connection string */
    rc = SQLAllocEnv(&henv);
    if (rc != SQL_SUCCESS) {
        fprintf(stderr, "Unable to allocate an "
                "environment handle\n");
        exit(1);
    }
    rc = SQLAllocConnect(henv, &hdbc);
    chkReturnCode(rc, henv, SQL_NULL_HDBC,
                 SQL_NULL_HSTMT,
                 "Unable to allocate a "
                 "connection handle\n",
                 __FILE__, __LINE__, 1);

```

```

rc = SQLDriverConnect(hdbc, NULL,
                    connStr, SQL_NTS,
                    connOut, sizeof(connOut),
                    &connOutLen,
                    SQL_DRIVER_NOPROMPT);
chkReturnCode(rc, henv, hdbc, SQL_NULL_HSTMT,
             "Error in connecting to the "
             " database\n",
             __FILE__, __LINE__, 1);
rc = SQLAllocStmt(hdbc, &hstmt);
chkReturnCode(rc, henv, hdbc, SQL_NULL_HSTMT,
             "Unable to allocate a "
             "statement handle\n",
             __FILE__, __LINE__, 1);

/* Your application code here */

if (hstmt != SQL_NULL_HSTMT) {
    rc = SQLFreeStmt(hstmt, SQL_DROP);
    chkReturnCode(rc, henv, hdbc, hstmt,
                 "Unable to free the "
                 "statement handle\n",
                 __FILE__, __LINE__, 0);
}

rc = SQLDisconnect(hdbc);
chkReturnCode(rc, henv, hdbc,
             SQL_NULL_HSTMT,
             "Unable to close the "
             "connection\n",
             __FILE__, __LINE__, 0);

rc = SQLFreeConnect(hdbc);
chkReturnCode(rc, henv, hdbc,
             SQL_NULL_HSTMT,
             "Unable to free the "
             "connection handle\n",
             __FILE__, __LINE__, 0);

rc = SQLFreeEnv(henv);
chkReturnCode(rc, henv, SQL_NULL_HDBC,
             SQL_NULL_HSTMT,
             "Unable to free the "
             "environment handle\n",
             __FILE__, __LINE__, 0);
return 0;
}

static void
chkReturnCode(SQLRETURN rc, SQLHENV henv,
             SQLHDBC hdbc, SQLHSTMT hstmt,
             char* msg, char* filename,
             int lineno, BOOL err_is_fatal)
{
    #define MSG_LNG 512
    SQLCHAR sqlState[MSG_LNG];
    /* SQL state string */
    SQLINTEGER nativeErr;
    /* Native error code */

```

```

SQLCHAR errMsg[MSG_LNG];
/* Error msg text buffer pointer */
SQLSMALLINT errMsgLen;
/* Error msg text Available bytes */
SQLRETURN ret = SQL_SUCCESS;
if (rc != SQL_SUCCESS &&
    rc != SQL_NO_DATA_FOUND ) {
    if (rc != SQL_SUCCESS_WITH_INFO) {
        /*
         * It's not just a warning
         */
        fprintf(stderr, "*** ERROR in %s, line %d:"
                "%s\n",
                filename, lineno, msg);
    }
    /*
     * Now see why the error/warning occurred
     */
    while (ret == SQL_SUCCESS ||
           ret == SQL_SUCCESS_WITH_INFO) {
        ret = SQLError(henv, hdbc, hstmt,
                       sqlState, &nativeErr,
                       errMsg, MSG_LNG,
                       &errMsgLen);
        switch (ret) {
            case SQL_SUCCESS:
                fprintf(stderr, "*** %s\n"
                        "**** ODBC Error/Warning = %s, "
                        "TimesTen Error/Warning "
                        " = %d\n",
                        errMsg, sqlState,
                        nativeErr);
                break;
            case SQL_SUCCESS_WITH_INFO:
                fprintf(stderr, "*** Call to SQLError"
                        " failed with return code of "
                        "SQL_SUCCESS_WITH_INFO.\n "
                        "**** Need to increase size of"
                        " message buffer.\n");
                break;
            case SQL_INVALID_HANDLE:
                fprintf(stderr, "*** Call to SQLError"
                        " failed with return code of "
                        "SQL_INVALID_HANDLE.\n");
                break;
            case SQL_ERROR:
                fprintf(stderr, "*** Call to SQLError"
                        " failed with return code of "
                        "SQL_ERROR.\n");
                break;
            case SQL_NO_DATA_FOUND:
                break;
        } /* switch */
    } /* while */
    if (rc != SQL_SUCCESS_WITH_INFO && err_is_fatal) {
        fprintf(stderr, "Exiting.\n");
        exit(-1);
    }
}
}

```

Setting connection attributes programmatically

You can set or override connection attributes programmatically by specifying a connection string when you connect to a database.

Refer to *Oracle TimesTen In-Memory Database Operations Guide* for general information about connection attributes. General connection attributes require no special privilege. First connection attributes are set when the database is first loaded, and persist for all connections. Only the instance administrator can load a database with changes to first connection attribute settings. Refer to "Connection Attributes" in *Oracle TimesTen In-Memory Database Reference* for additional information, including specific information about any particular connection attribute.

Example 2–3 Connect and use store-level locking

This code fragment connects to a database named `mydsn` and indicates in the `SQLDriverConnect` call that the application should use a passthrough setting of 3. Note that `PassThrough` is a general connection attribute.

```
SQLHDBC hdbc;
SQLCHAR ConnStrOut[512];
SQLSMALLINT cbConnStrOut;
SQLRETURN rc;

rc = SQLDriverConnect(hdbc, NULL,
    "DSN=mydsn;PassThrough=3", SQL_NTS,
    ConnStrOut, sizeof(ConnStrOut),
    &cbConnStrOut, SQL_DRIVER_NOPROMPT);
```

Note: Each connection to a database opens several files. An application with many threads, each with a separate connection, has several files open for each thread. Such an application can exceed the maximum allowed (or configured maximum) number of file descriptors that may be simultaneously open on the operating system. In this case, configure your system to allow a larger number of open files. See "Limits on number of open files" in *Oracle TimesTen In-Memory Database Reference*.

Access control for connections

In order for any user (other than the instance administrator) to connect to a database, the `CREATE SESSION` privilege must be granted. This is a system privilege so must be granted to the user by the instance administrator or someone with `ADMIN` privilege, either directly or through the `PUBLIC` role. Refer to "Managing Access Control" in *Oracle TimesTen In-Memory Database Operations Guide* for additional information and examples.

To create an XLA connection and execute XLA functionality, a user must be granted the `XLA` privilege, discussed in "[Access control impact on XLA](#)" on page 5-8, in addition to the `CREATE SESSION` privilege.

Managing TimesTen data

This section provides detailed information on working with data in a TimesTen database. It includes the following topics.

- [TimesTen include files](#)

- [SQL statement execution within C applications](#)
- [Preparing and executing queries and working with cursors](#)
- [TimesTen deferred prepare](#)
- [Prefetching multiple rows of data](#)
- [Binding parameters and executing statements](#)
- [Working with REF CURSORS](#)
- [Working with DML returning \(RETURNING INTO clause\)](#)
- [Working with rowids](#)
- [Working with LOBs](#)
- [Making and committing changes to the database](#)

TimesTen include files

In addition to standard C "include" files, your application must include the TimesTen files shown in the following table.

Include file	Description
timesten.h	TimesTen ODBC include file
tt_errCode.h	TimesTen native error codes

SQL statement execution within C applications

"Working with Data in a TimesTen Database" in *Oracle TimesTen In-Memory Database Operations Guide* describes how to use SQL to manage data. This section describes general formats used to execute a SQL statement within a C application. The following topics are covered:

- [SQLExecDirect and SQLExecute functions](#)
- [Executing a SQL statement](#)

Note: Access control privileges are checked both when SQL is prepared and when it is executed in the database. Refer to "[Considering TimesTen features for access control](#)" on page 2-33 for related information.

SQLExecDirect and SQLExecute functions

There are two ODBC functions to execute SQL statements:

- **SQLExecute:** Executes a statement that has been prepared with `SQLPrepare`. After the application is done with the results, they can be discarded and `SQLExecute` can be run again using different parameter values.

This is typically used for DML statements with bind parameters, or statements that are being executed more than once.

- **SQLExecDirect:** Prepares and executes a statement.

This is typically used for DDL statements or for DML statements that would execute only a few times and without bind parameters.

Refer to ODBC API reference documentation for details about these functions.

Executing a SQL statement

You can use the `SQLExecDirect` function as shown in [Example 2-4](#).

The next section, "[Preparing and executing queries and working with cursors](#)", shows usage of the `SQLExecute` and `SQLPrepare` functions.

Example 2-4 Executing a SQL statement with `SQLExecDirect`

This code sample creates a table, `NameID`, with two columns: `CustID` and `CustName`. The table maps character names to integer identifiers.

```
#include <sql.h>
SQLRETURN rc;
SQLHSTMT hstmt;
...
rc = SQLExecDirect(hstmt, (SQLCHAR*)
    "CREATE TABLE NameID (CustID INTEGER, CustName VARCHAR(50))",
    SQL_NTS);
if (rc != SQL_SUCCESS && rc != SQL_SUCCESS_WITH_INFO)
    ... /* handle error */
```

Preparing and executing queries and working with cursors

This section shows the basic steps of preparing and executing a query and working with cursors. Applications use cursors to scroll through the results of a query, examining one result row at a time.

Important: In TimesTen, any operation that ends your transaction, such as a commit or rollback, closes all cursors associated with the connection.

In the ODBC setting, a cursor is always associated with a result set. This association is made by the ODBC driver. The application can control cursor characteristics, such as the number of rows to fetch at one time, using `SQLSetStmtOption` options documented in "[Option support for `SQLSetStmtOption` and `SQLGetStmtOption`](#)" on page 10-5. The steps involved in executing a query typically include the following.

1. Use `SQLPrepare` to prepare the `SELECT` statement for execution.
2. Use `SQLBindParameter`, if the statement has parameters, to bind each parameter to an application address. See "[SQLBindParameter function](#)" on page 2-12. (Note that [Example 2-5](#) below does not bind parameters.)
3. Call `SQLBindCol` to assign the storage and data type for a column of results, binding column results to local variable storage in your application.
4. Call `SQLExecute` to execute the `SELECT` statement. See "[SQLExecDirect and SQLExecute functions](#)" on page 2-7.
5. Call `SQLFetch` to fetch the results. Specify the statement handle.
6. Call `SQLFreeStmt` to free the statement handle. Specify the statement handle and either `SQL_CLOSE`, `SQL_DROP`, `SQL_UNBIND`, or `SQL_RESET_PARAMS`.

Refer to ODBC API reference documentation for details on these ODBC functions. Examples are shown throughout this chapter and in the TimesTen Quick Start (through the "ODBC (C)" link under SAMPLE PROGRAMS).

Notes:

- Access control privileges are checked both when SQL is prepared and when it is executed in the database. Refer to "[Considering TimesTen features for access control](#)" on page 2-33 for related information.
- By default (when connection attribute `PrivateCommands=0`), TimesTen shares prepared statements between connections, so subsequent prepares of the same statement on different connections execute very quickly.

Example 2-5 Executing a query and working with the cursor

This example illustrates how to prepare and execute a query using ODBC calls. Error checking has been omitted to simplify the example. In addition to ODBC functions mentioned previously, this example uses `SQLNumResultCols` to return the number of columns in the result set, `SQLDescribeCol` to return a description of one column of the result set (column name, type, precision, scale, and nullability), and `SQLBindCol` to assign the storage and data type for a column in the result set. These are all described in detail in ODBC API reference documentation.

```
#include <sql.h>

SQLHSTMT hstmt;
SQLRETURN rc;
int i;
SQLSMALLINT numCols;
SQLCHAR colname[32];
SQLSMALLINT colnamelen, coltype, scale, nullable;
SQLULEN collen [MAXCOLS];
SQLLEN outlen [MAXCOLS];
SQLCHAR* data [MAXCOLS];

/* other declarations and program set-up here */

/* Prepare the SELECT statement */
rc = SQLPrepare(hstmt,
(SQLCHAR*) "SELECT * FROM EMP WHERE AGE>20",
SQL_NTS);
/* ... */

/* Determine number of columns in result rows */
rc = SQLNumResultCols(hstmt, &numCols);

/* ... */

/* Describe and bind the columns */
for (i = 0; i < numCols; i++) {
    rc = SQLDescribeCol(hstmt,
        (SQLSMALLINT) (i + 1),
        colname, (SQLSMALLINT)sizeof(colname), &colnamelen, &coltype, &collen[i],
        &scale, &nullable);

    /* ... */

    data[i] = (SQLCHAR*) malloc (collen[i] + 1); //Allocate space for column data.
    rc = SQLBindCol(hstmt, (SQLSMALLINT) (i + 1),
```

```
        SQL_C_CHAR, data[i],
        COL_LEN_MAX, &outlen[i]);

    /* ... */

}
/* Execute the SELECT statement */
rc = SQLExecute(hstmt);

/* ... */

/* Fetch the rows */
if (numCols > 0) {
    while ((rc = SQLFetch(hstmt)) == SQL_SUCCESS ||
           rc == SQL_SUCCESS_WITH_INFO) {
        /* ... "Process" the result row */
    } /* end of for-loop */
    if (rc != SQL_NO_DATA_FOUND)
        fprintf(stderr,
               "Unable to fetch the next row\n");

/* Close the cursor associated with the SELECT statement */
rc = SQLFreeStmt(hstmt, SQL_CLOSE);
}
```

TimesTen deferred prepare

In standard ODBC, a `SQLPrepare` call compiles a SQL statement so that information about the statement, such as column descriptions for the result set, is available to the application and accessible through calls such as `SQLDescribeCol`. To accomplish this, the `SQLPrepare` call must communicate with the server for processing.

This is in contrast, for example, to expected behavior under Oracle Call Interface (OCI), where a prepare call is expected to be a lightweight operation performed on the client to simply extract names and positions of parameters.

To avoid unwanted round trips between client and server, and also to make the behavior consistent with OCI expectations, the TimesTen client library implementation of `SQLPrepare` performs what is referred to as a "deferred prepare", where the request is not sent to the server until required. Examples of when the round trip would be required:

- When there is a `SQLExecute` call. Note that if there is a deferred prepare call that has not yet been sent to the server, a `SQLExecute` call on the client is converted to a `SQLExecDirect` call.
- When there is a request for information about the query that can only be supplied by the SQL engine, such as when there is a `SQLDescribeCol` call, for example. Many such calls in standard ODBC can access information previously returned by a `SQLPrepare` call, but with the deferred prepare functionality the `SQLPrepare` call is sent to the server and the information is returned to the application only as needed.

Note: Deferred prepare functionality is not implemented (and not necessary) with the TimesTen direct driver.

The deferred prepare implementation requires no changes at the application or user level; however, be aware that calling any of the following functions may result in a

round trip to the server if the required information from a previously prepared statement has not yet been retrieved:

- `SQLColAttributes`
- `SQLDescribeCol`
- `SQLDescribeParam`
- `SQLNumResultCols`
- `SQLNumParams`
- `SQLGetStmtOption` (for options that depend on the statement having been compiled by the SQL engine)

Also be aware that when calling any of these functions, any error from an earlier `SQLPrepare` call may be deferred until one of these calls is executed. In addition, these calls may return errors specific to `SQLPrepare` as well as errors specific to themselves.

Prefetching multiple rows of data

A TimesTen extension to ODBC enables applications to prefetch multiple rows of data into the ODBC driver buffer. This can improve performance of client/server applications.

The `TT_PREFETCH_COUNT` connection option determines how many rows a `SQLFetch` call will prefetch. Note that this option provides no benefit for an application using a direct connection to TimesTen.

`TT_PREFETCH_COUNT` can be set in a call to either `SQLSetConnectOption` or `SQLSetStmtOption`. The value can be any integer from 0 to 128, inclusive. Following is an example.

```
rc = SQLSetConnectOption(hdbc, TT_PREFETCH_COUNT, 100);
```

With this setting, the first `SQLFetch` call on the connection will prefetch 100 rows. Subsequent `SQLFetch` calls will fetch from the ODBC buffer instead of from the database, until the buffer is depleted. After it is depleted, the next `SQLFetch` call will fetch another 100 rows into the buffer, and so on.

To disable prefetch, set `TT_PREFETCH_COUNT` to 1.

When the prefetch count is set to 0, TimesTen uses a default value, depending on the isolation level you have set for the database. With Read Committed isolation level, the default prefetch value is 5. With Serializable isolation level, the default is 128. The default prefetch value is a good setting for most applications. Generally, a higher value may result in better performance for larger result sets, at the expense of slightly higher resource use.

Binding parameters and executing statements

This section discusses how to bind input or output parameters for SQL statements. The following topics are covered:

- [SQLBindParameter function](#)
- [Determination of parameter type assignments and type conversions](#)
- [Binding input parameters](#)
- [Binding output parameters](#)
- [Binding input/output parameters](#)

- [Binding duplicate parameters in SQL statements](#)
- [Binding duplicate parameters in PL/SQL](#)
- [Considerations for floating point data](#)
- [Using SQL_WCHAR and SQL_WVARCHAR with a driver manager](#)

Note: The term "bind parameter" as used in TimesTen developer guides (in keeping with ODBC terminology) is equivalent to the term "bind variable" as used in TimesTen PL/SQL documents (in keeping with Oracle PL/SQL terminology).

SQLBindParameter function

The ODBC `SQLBindParameter` function is used to bind parameters for SQL statements. This could include input, output, or input/output parameters.

To bind an input parameter through ODBC, use the `SQLBindParameter` function with a setting of `SQL_PARAM_INPUT` for the `fParamType` argument. Refer to ODBC API reference documentation for details about the `SQLBindParameter` function. [Table 2–1](#) provides a brief summary of its arguments.

To bind an output or input/output parameter through ODBC, use the `SQLBindParameter` function with a setting of `SQL_PARAM_OUTPUT` or `SQL_PARAM_INPUT_OUTPUT`, respectively, for the `fParamType` argument. As with input parameters, use the `fSqlType`, `cbColDef`, and `ibScale` arguments (as applicable) to specify data types.

Table 2–1 *SQLBindParameter arguments*

Argument	Type	Description
<code>hstmt</code>	<code>SQLHSTMT</code>	Statement handle
<code>ipar</code>	<code>SQLUSMALLINT</code>	Parameter number, sequentially from left to right, starting with 1
<code>fParamType</code>	<code>SQLSMALLINT</code>	Indicating input or output: <code>SQL_PARAM_INPUT</code> , <code>SQL_PARAM_OUTPUT</code> , or <code>SQL_PARAM_INPUT_OUTPUT</code>
<code>fCType</code>	<code>SQLSMALLINT</code>	C data type of the parameter
<code>fSqlType</code>	<code>SQLSMALLINT</code>	SQL data type of the parameter
<code>cbColDef</code>	<code>SQLULEN</code>	The precision of the parameter, such as the maximum number of bytes for binary data, the maximum number of digits for a number, or the maximum number of characters for character data
<code>ibScale</code>	<code>SQLSMALLINT</code>	The scale of the parameter, referring to the maximum number of digits to the right of the decimal point, where applicable
<code>rgbValue</code>	<code>SQLPOINTER</code>	Pointer to a buffer for the data of the parameter
<code>cbValueMax</code>	<code>SQLLEN</code>	Maximum length of the <code>rgbValue</code> buffer, in bytes
<code>pcbValue</code>	<code>SQLLEN*</code>	Pointer to a buffer for the length of the parameter

Note: Refer to "Data Types" in *Oracle TimesTen In-Memory Database SQL Reference* for information about precision and scale of TimesTen data types.

Determination of parameter type assignments and type conversions

Bind parameter type assignments are determined as follows.

- Parameter type assignments for statements that execute in TimesTen are determined by TimesTen. Specifically:
 - For SQL statements that execute within TimesTen, the TimesTen query optimizer determines data types of SQL parameters.
- Parameter type assignments for statements that execute in Oracle Database, or according to Oracle Database functionality, are determined by the application as follows.
 - For SQL statements that execute within Oracle Database—that is, passthrough statements from the Oracle In-Memory Database Cache (IMDB Cache)—the application must specify data types through its calls to the ODBC `SQLBindParameter` function, according to the `fSqlType`, `cbColDef`, and `ibScale` arguments of that function, as applicable.
 - For PL/SQL blocks or procedures that execute within TimesTen, where the PL/SQL execution engine has the same basic functionality as in Oracle Database, the application must specify data types through its calls to `SQLBindParameter` (the same as for SQL statements that execute within Oracle Database).

So regarding host binds for PL/SQL (the variables, or parameters, that are preceded by a colon within a PL/SQL block), note that the type of a host bind is effectively declared by the call to `SQLBindParameter`, according to `fSqlType` and the other arguments as applicable, and is not declared within the PL/SQL block.

The ODBC driver performs any necessary type conversions between C values and SQL or PL/SQL types. For any C-to-SQL or C-to-PL/SQL combination that is not supported, an error will occur. These conversions can be from a C type to a SQL or PL/SQL type (input parameter), from a SQL or PL/SQL type to a C type (output parameter), or both (input/output parameter).

Table 2–2 documents the mapping between ODBC types and SQL or PL/SQL types.

Table 2–2 ODBC SQL to TimesTen SQL or PL/SQL type mappings

ODBC type (<i>fSqlType</i>)	SQL or PL/SQL type
SQL_BIGINT	NUMBER
SQL_BINARY	RAW (<i>p</i>)
SQL_BIT	PLS_INTEGER
SQL_CHAR	CHAR (<i>p</i>)
SQL_DATE	DATE
SQL_DECIMAL	NUMBER
SQL_DOUBLE	NUMBER
SQL_FLOAT	BINARY_DOUBLE
SQL_INTEGER	PLS_INTEGER
SQL_NUMERIC	NUMBER
SQL_REAL	BINARY_FLOAT
SQL_REFCURSOR	REF CURSOR

Table 2–2 (Cont.) ODBC SQL to TimesTen SQL or PL/SQL type mappings

ODBC type (<i>fSqlType</i>)	SQL or PL/SQL type
SQL_ROWID	ROWID
SQL_SMALLINT	PLS_INTEGER
SQL_TIMESTAMP	TIMESTAMP (<i>s</i>)
SQL_TINYINT	PLS_INTEGER
SQL_VARBINARY	RAW (<i>p</i>)
SQL_VARCHAR	VARCHAR2 (<i>p</i>)
SQL_WCHAR	NCHAR (<i>p</i>)
SQL_WVARCHAR	NVARCHAR2 (<i>p</i>)

Notes:

- The notation (*p*) indicates precision is according to the `SQLBindParameter` argument `cbColDef`.
- The notation (*s*) indicates scale is according to the `SQLBindParameter` argument `ibScale`.
- Most applications should use `SQL_VARCHAR` rather than `SQL_CHAR` for binding character data. Use of `SQL_CHAR` may result in unwanted space padding to the full precision of the parameter type.

Binding input parameters

For input parameters to PL/SQL in TimesTen, use the `fSqlType`, `cbColDef`, and `ibScale` arguments (as applicable) of the ODBC `SQLBindParameter` function to specify data types. This is in contrast to how SQL input parameters are supported, as noted in the preceding section, "[Determination of parameter type assignments and type conversions](#)".

In addition, the `rgbValue`, `cbValueMax`, and `pcbValue` arguments of `SQLBindParameter` are used as follows for input parameters:

- `rgbValue`: Before statement execution, points to the buffer where the application places the parameter value to be passed to the application.
- `cbValueMax`: For character and binary data, indicates the maximum length of the incoming value that `rgbValue` points to, in bytes. For all other data types, `cbValueMax` is ignored, and the length of the value that `rgbValue` points to is determined by the length of the C data type specified in the `fCType` argument of `SQLBindParameter`.
- `pcbValue`: Points to a buffer that contains one of the following before statement execution:
 - The actual length of the value that `rgbValue` points to

Note: For input parameters, this would be valid only for character or binary data.

 - `SQL_NTS` for a null-terminated string
 - `SQL_NULL_DATA` for a null value

Binding output parameters

For output parameters from PL/SQL in TimesTen, as noted for input parameters previously, use the *fSqlType*, *cbColDef*, and *ibScale* arguments (as applicable) of the ODBC `SQLBindParameter` function to specify data types.

In addition, the *rgbValue*, *cbValueMax*, and *pcbValue* arguments of `SQLBindParameter` are used as follows for output parameters:

- *rgbValue*: During statement execution, points to the buffer where the value returned from the statement should be placed.
- *cbValueMax*: For character and binary data, indicates the maximum length of the outgoing value that *rgbValue* points to, in bytes. For all other data types, *cbValueMax* is ignored, and the length of the value that *rgbValue* points to is determined by the length of the C data type specified in the *fCType* argument of `SQLBindParameter`.

Note that ODBC null-terminates all character data, even if the data is truncated. Therefore, when an output parameter has character data, *cbValueMax* must be large enough to accept the maximum data value plus a null terminator (one additional byte for CHAR and VARCHAR parameters, or two additional bytes for NCHAR and NVARCHAR parameters).

- *pcbValue*: Points to a buffer that contains one of the following after statement execution:
 - The actual length of the value that *rgbValue* points to (for all C types, not just character and binary data)

Note: This is the length of the full parameter value, regardless of whether the value can fit in the buffer that *rgbValue* points to.
 - `SQL_NULL_DATA` for a null value

Example 2-6 Binding output parameters

This example shows how to prepare, bind, and execute a PL/SQL anonymous block. The anonymous block assigns bind parameter a the value 'abcde' and bind parameter b the value 123.

`SQLPrepare` prepares the anonymous block. `SQLBindParameter` binds the first parameter (a) as an output parameter of type `SQL_VARCHAR` and binds the second parameter (b) as an output parameter of type `SQL_INTEGER`. `SQLExecute` executes the anonymous block.

```
{
SQLHSTMT      hstmt;
char          aval[11];
SQLLEN       aval_len;
SQLINTEGER    bval;
SQLLEN       bval_len;

SQLAllocStmt(hdbc, &hstmt);

SQLPrepare(hstmt,
           (SQLCHAR*)"begin :a := 'abcde'; :b := 123; end;",
           SQL_NTS);

SQLBindParameter(hstmt, 1, SQL_PARAM_OUTPUT, SQL_C_CHAR, SQL_VARCHAR,
                10, 0, (SQLPOINTER)aval, sizeof(aval), &aval_len);

SQLBindParameter(hstmt, 2, SQL_PARAM_OUTPUT, SQL_C_SLONG, SQL_INTEGER,
```

```

    0, 0, (SQLPOINTER)&bval, sizeof(bval), &bval_len);

    SQLExecute(hstmt);
    printf("aval = [%s] (length = %d), bval = %d\n", aval, (int)aval_len, bval);
}

```

Binding input/output parameters

For input/output parameters to and from PL/SQL in TimesTen, as noted for input parameters previously, use the *fSqlType*, *cbColDef*, and *ibScale* arguments (as applicable) of the ODBC `SQLBindParameter` function to specify data types.

In addition, the *rgbValue*, *cbValueMax*, and *pcbValue* arguments of `SQLBindParameter` are used as follows for input/output parameters:

- *rgbValue*: This is first used before statement execution as described in "[Binding input parameters](#)" on page 2-14. Then it is used during statement execution as described in the preceding section, "[Binding output parameters](#)". Note that for an input/output parameter, the outgoing value from a statement execution will be the incoming value to the statement execution that immediately follows, unless that is overridden by the application. Also, for input/output values bound when you are using data-at-execution, the value of *rgbValue* serves as both the token that would be returned by the ODBC `SQLParamData` function and as the pointer to the buffer where the outgoing value will be placed.
- *cbValueMax*: For character and binary data, this is first used as described in "[Binding input parameters](#)" on page 2-14. Then it is used as described in the preceding section, "[Binding output parameters](#)". For all other data types, *cbValueMax* is ignored, and the length of the value that *rgbValue* points to is determined by the length of the C data type specified in the *fctype* argument of `SQLBindParameter`.

Note that ODBC null-terminates all character data, even if the data is truncated. Therefore, when an input/output parameter has character data, *cbValueMax* must be large enough to accept the maximum data value plus a null terminator (one additional byte for CHAR and VARCHAR parameters, or two additional bytes for NCHAR and NVARCHAR parameters).

- *pcbValue*: This is first used before statement execution as described in "[Binding input parameters](#)" on page 2-14. Then it is used after statement execution as described in the preceding section, "[Binding output parameters](#)".

Important: For character and binary data, carefully consider the value you use for *cbValueMax*. A value that is smaller than the actual buffer size may result in spurious truncation warnings. A value that is greater than the actual buffer size may cause the ODBC driver to overwrite the *rgbValue* buffer, resulting in memory corruption.

Binding duplicate parameters in SQL statements

TimesTen supports two distinct modes for binding duplicate parameters in a SQL statement. (Regarding PL/SQL statements, see "[Binding duplicate parameters in PL/SQL](#)" on page 2-18.)

- Oracle mode, where multiple occurrences of the same parameter name are considered to be distinct parameters
- Traditional TimesTen mode, as in earlier releases, where multiple occurrences of the same parameter name are considered to be the same parameter

You can choose the desired mode through the `DuplicateBindMode` TimesTen general connection attribute. `DuplicateBindMode=0` (the default) is for the Oracle mode, and `DuplicateBindMode=1` is for the TimesTen mode. Because this is a general connection attribute, different connections to the same database can use different values. Refer to "DuplicateBindMode" in *Oracle TimesTen In-Memory Database Reference* for additional information about this attribute.

The rest of this section provides details for each mode, considering the following query:

```
SELECT * FROM employees
WHERE employee_id < :a AND manager_id > :a AND salary < :b;
```

Notes:

- This discussion applies only to SQL statements issued directly from ODBC (not through PL/SQL, for example).
 - The use of "?" for parameters, not supported in Oracle Database, is supported by TimesTen in either mode.
-
-

Oracle mode for duplicate parameters In Oracle mode, where `DuplicateBindMode=0`, multiple occurrences of the same parameter name in a SQL statement are considered to be different parameters. When parameter position numbers are assigned, a number is given to each parameter occurrence without regard to name duplication. The application must, at a minimum, bind a value for the first occurrence of each parameter name. For any subsequent occurrence of a given parameter name, the application has the following choices.

- It can bind a different value for the occurrence.
- It can leave the parameter occurrence unbound, in which case it takes the same value as the first occurrence.

In either case, each occurrence still has a distinct parameter position number.

To use a different value for the second occurrence of `a` in the SQL statement above:

```
SQLBindParameter(..., 1, ...); /* first occurrence of :a */
SQLBindParameter(..., 2, ...); /* second occurrence of :a */
SQLBindParameter(..., 3, ...); /* occurrence of :b */
```

To use the same value for both occurrences of `a`:

```
SQLBindParameter(..., 1, ...); /* both occurrences of :a */
SQLBindParameter(..., 3, ...); /* occurrence of :b */
```

Parameter `b` is considered to be in position 3 regardless.

In Oracle mode, the `SQLNumParams` ODBC function returns 3 for the number of parameters in the example.

TimesTen mode for duplicate parameters In TimesTen mode, where `DuplicateBindMode=1`, SQL statements containing duplicate parameters are parsed such that only distinct parameter names are considered as separate parameters.

Binding is based on the position of the first occurrence of a parameter name. Subsequent occurrences of the parameter name are not given their own position numbers. All occurrences of the same parameter name take on the same value.

For the SQL statement above, the two occurrences of `a` are considered to be a single parameter, so cannot be bound separately:

```
SQLBindParameter(..., 1, ...); /* both occurrences of :a */
SQLBindParameter(..., 2, ...); /* occurrence of :b */
```

Note that in TimesTen mode, parameter `b` is considered to be in position 2, not position 3.

In TimesTen mode, the `SQLNumParams` ODBC function returns 2 for the number of parameters in the example.

Binding duplicate parameters in PL/SQL

The preceding discussion does not apply to PL/SQL, which has its own semantics. In PL/SQL, you bind a value for each unique parameter name. An application executing the following block, for example, would bind only one parameter, corresponding to `:a`.

```
DECLARE
    x NUMBER;
    y NUMBER;
BEGIN
    x:=:a;
    y:=:a;
END;
```

An application executing the following block would also bind only one parameter:

```
BEGIN
    INSERT INTO tab1 VALUES (:a, :a);
END
```

And the same for the following CALL statement:

```
...CALL proc (:a, :a)...
```

An application executing the following block would bind two parameters, with `:a` as the first parameter and `:b` as the second parameter. The second parameter in each INSERT statement would take the same value as the first parameter in the first INSERT statement:

```
BEGIN
    INSERT INTO tab1 VALUES (:a, :a);
    INSERT INTO tab1 VALUES (:b, :a);
END
```

Considerations for floating point data

The `BINARY_DOUBLE` and `BINARY_FLOAT` data types store and retrieve the IEEE floating point values `Inf`, `-Inf`, and `NaN`. If an application uses a C language facility such as `printf`, `scanf`, or `strtod` that requires conversion to character data, the floating point values are returned as "INF", "-INF", and "NaN". These character strings cannot be converted back to floating point values.

Using SQL_WCHAR and SQL_WVARCHAR with a driver manager

Applications using the Windows driver manager may encounter errors from `SQLBindParameter` with SQL state `S1004` (SQL data type out of range) when passing an `fSqlType` value of `SQL_WCHAR` or `SQL_WVARCHAR`. This problem can be avoided by passing one of the following values for `fSqlType` instead.

- `SQL_WCHAR_DM_SQLBINDPARAMETER_BYPASS` instead of `SQL_WCHAR`
- `SQL_WVARCHAR_DM_SQLBINDPARAMETER_BYPASS` instead of `SQL_WVARCHAR`

These type codes are semantically identical to `SQL_WCHAR` and `SQL_WVARCHAR` but avoid the error from the Windows driver manager. They can be used in applications that link with the driver manager or link directly with the TimesTen ODBC direct driver or ODBC client driver.

See "[SQLBindParameter function](#)" on page 2-12 for information about that ODBC function.

Working with REF CURSORS

REF CURSOR is a PL/SQL concept, a handle to a cursor over a SQL result set that can be passed between PL/SQL and an application. In TimesTen, the cursor can be opened in PL/SQL then the REF CURSOR can be passed to the application. The results can be processed in the application using ODBC calls. This is an *OUT REF CURSOR* (an *OUT* parameter with respect to PL/SQL). The REF CURSOR is attached to a statement handle, enabling applications to describe and fetch result sets using the same APIs as for any result set.

Take the following steps to use a REF CURSOR. Assume a PL/SQL statement that returns a cursor through a REF CURSOR *OUT* parameter. Note that REF CURSORS use the same basic steps of prepare, bind, execute, and fetch as in the cursor example in "[Preparing and executing queries and working with cursors](#)" on page 2-8.

1. Prepare the PL/SQL statement, using `SQLPrepare`, to be associated with the first statement handle.
2. Bind each parameter of the statement, using `SQLBindParameter`. When binding the REF CURSOR output parameter, use an allocated second statement handle as *rgbValue*, the pointer to the data buffer.

The *pcbValue*, *ibScale*, *cbValueMax*, and *pcbValue* arguments are ignored for REF CURSORS.

See "[SQLBindParameter function](#)" on page 2-12 and "[Binding output parameters](#)" on page 2-15 for information about these and other `SQLBindParameter` arguments.

3. Call `SQLBindCol` to bind result columns to local variable storage.
4. Call `SQLExecute` to execute the statement.
5. Call `SQLFetch` to fetch the results. After a REF CURSOR is passed from PL/SQL to an application, the application can describe and fetch the results as it would for any result set.
6. Use `SQLFreeStmt` to free the statement handle.

These steps are demonstrated in the example that follows. Refer to ODBC API reference documentation for details on these functions. See "PL/SQL REF CURSORS" in *Oracle TimesTen In-Memory Database PL/SQL Developer's Guide* for additional information about REF CURSORS.

Important: For passing REF CURSORS between PL/SQL and an application, TimesTen supports only *OUT* REF CURSORS, from PL/SQL to the application, and supports a statement returning only a single REF CURSOR.

Example 2-7 Executing a query and working with a REF CURSOR

This example, using a REF CURSOR in a loop, demonstrates the basic steps of preparing a query, binding parameters, executing the query, binding results to local variable storage, and fetching the results. Error handling is omitted for simplicity. In addition to the ODBC functions summarized earlier, this example uses `SQLAllocStmt` to allocate memory for a statement handle.

```
refcursor_example(SQLHDBC hdbc)
{
    SQLCHAR*      stmt_text;
    SQLHSTMT      plsql_hstmt;
    SQLHSTMT      refcursor_hstmt;
    SQLINTEGER    deptid;
    SQLINTEGER    depts[3] = {10,30,40};
    SQLINTEGER    empid;
    SQLCHAR       lastname[30];
    SQLINTEGER    i;

    /* allocate 2 statement handles: one for the plsql statement and
     * one for the ref cursor */
    SQLAllocStmt(hdbc, &plsql_hstmt);
    SQLAllocStmt(hdbc, &refcursor_hstmt);

    /* prepare the plsql statement */
    stmt_text = (SQLCHAR*)
        "begin "
        "open :refc for "
        "select employee_id, last_name "
        "from employees "
        "where department_id = :dept; "
        "end;";
    SQLPrepare(plsql_hstmt, stmt_text, SQL_NTS);

    /* bind parameter 1 (:refc) to refcursor_hstmt */
    SQLBindParameter(plsql_hstmt, 1, SQL_PARAM_OUTPUT, SQL_C_REFCURSOR,
                    SQL_REFCURSOR, 0, 0, refcursor_hstmt, 0, 0);

    /* bind parameter 2 (:deptid) to local variable deptid */
    SQLBindParameter(plsql_hstmt, 2, SQL_PARAM_INPUT, SQL_C_SLONG,
                    SQL_INTEGER, 0, 0, &deptid, 0, 0);

    /* loop through values for :deptid */
    for (i=0; i<3; i++)
    {
        deptid = depts[i];

        /* execute the plsql statement */
        SQLExecute(plsql_hstmt);
        /*
         * The result set is now attached to refcursor_hstmt.
         * Bind the result columns and fetch the result set.
         */

        /* bind result column 1 to local variable empid */
        SQLBindCol(refcursor_hstmt, 1, SQL_C_SLONG,
                    (SQLPOINTER)&empid, 0, 0);

        /* bind result column 2 to local variable lastname */
        SQLBindCol(refcursor_hstmt, 2, SQL_C_CHAR,
                    (SQLPOINTER)lastname, sizeof(lastname), 0);
    }
}
```

```

    /* fetch the result set */
    while(SQLFetch(refcursor_hstmt) != SQL_NO_DATA_FOUND){
        printf("%d, %s\n", empid, lastname);
    }

    /* close the ref cursor statement handle */
    SQLFreeStmt(refcursor_hstmt, SQL_CLOSE);
}

/* drop both handles */
SQLFreeStmt(plsql_hstmt, SQL_DROP);
SQLFreeStmt(refcursor_hstmt, SQL_DROP);
}

```

Working with DML returning (RETURNING INTO clause)

You can use a RETURNING INTO clause, referred to as *DML returning*, with an INSERT, UPDATE, or DELETE statement to return specified items from a row that was affected by the action. This eliminates the need for a subsequent SELECT statement and separate round trip in case, for example, you want to confirm what was affected by the action.

With ODBC, DML returning is limited to returning items from a single-row operation. The clause returns the items into a list of output parameters. Bind the output parameters as discussed in ["Binding parameters and executing statements"](#) on page 2-11.

SQL syntax and restrictions for the RETURNING INTO clause in TimesTen are documented as part of "INSERT", "UPDATE", and "DELETE" in *Oracle TimesTen In-Memory Database SQL Reference*.

Refer to "RETURNING INTO Clause" in *Oracle Database PL/SQL Language Reference* for details about DML returning.

Example 2-8 DML returning

This example is adapted from [Example 2-10](#) on page 2-27, with bold text highlighting key portions.

```

void
update_example(SQLHDBC hdbc)
{
    SQLCHAR*      stmt_text;
    SQLHSTMT      hstmt;
    SQLINTEGER    raise_pct;
    char          hiredate_str[30];
    char          last_name[30];
    SQLLEN        hiredate_len;
    SQLLEN        numrows;

    /* allocate a statement handle */
    SQLAllocStmt(hdbc, &hstmt);

    /* prepare an update statement to give a raise to one employee hired
       before a given date and return that employee's last name */
    stmt_text = (SQLCHAR*)
        "update employees "
        "set salary = salary * ((100 + :raise_pct) / 100.0) "
        "where hire_date < :hiredate and rownum = 1 returning last_name into "
            ":last_name";
    SQLPrepare(hstmt, stmt_text, SQL_NTS);
}

```

```

/* bind parameter 1 (:raise_pct) to variable raise_pct */
SQLBindParameter(hstmt, 1, SQL_PARAM_INPUT, SQL_C_SLONG,
                 SQL_DECIMAL, 0, 0, (SQLPOINTER)&raise_pct, 0, 0);

/* bind parameter 2 (:hiredate) to variable hiredate_str */
SQLBindParameter(hstmt, 2, SQL_PARAM_INPUT, SQL_C_CHAR,
                 SQL_TIMESTAMP, 0, 0, (SQLPOINTER)hiredate_str,
                 sizeof(hiredate_str), &hiredate_len);
/* bind parameter 3 (:last_name) to variable last_name */
SQLBindParameter(hstmt, 3, SQL_PARAM_OUTPUT, SQL_C_CHAR,
                 SQL_VARCHAR, 30, 0, (SQLPOINTER)last_name,
                 sizeof(last_name), NULL);
/* set parameter values to give a 10% raise to an employee hired before
 * January 1, 1996. */
raise_pct = 10;
strcpy(hiredate_str, "1996-01-01");
hiredate_len = SQL_NTS;

/* execute the update statement */
SQLExecute(hstmt);

/* tell us who the lucky person is */
printf("Gave raise to %s.\n", last_name );

/* drop the statement handle */
SQLFreeStmt(hstmt, SQL_DROP);

/* commit the changes */
SQLTransact(henv, hdbc, SQL_COMMIT);
}

```

This returns "King" as the recipient of the raise.

Working with rowids

Each row in a database table has a unique identifier known as its *rowid*. An application can retrieve the rowid of a row from the ROWID pseudocolumn. Rowids can be represented in either binary or character format.

An application can specify literal rowid values in SQL statements, such as in WHERE clauses, as CHAR constants enclosed in single quotes.

As noted in [Table 2-2](#) on page 2-13, the ODBC SQL type SQL_ROWID corresponds to the SQL type ROWID.

For parameters and result set columns, rowids are convertible to and from the C types SQL_C_BINARY, SQL_C_WCHAR, and SQL_C_CHAR. SQL_C_CHAR is the default C type for rowids. The size of a rowid would be 12 bytes as SQL_C_BINARY, 18 bytes as SQL_C_CHAR, and 36 bytes as SQL_C_WCHAR.

Refer to "ROWID data type" and "ROWID" in *Oracle TimesTen In-Memory Database SQL Reference* for additional information about rowids and the ROWID data type, including usage and life.

Note: TimesTen does not support the PL/SQL type UROWID.

Working with LOBs

TimesTen supports LOBs (large objects). This includes CLOBs (character LOBs), NCLOBs (national character LOBs), and BLOBs (binary LOBs).

This section provides a brief overview of LOBs and discusses their use in ODBC, covering the following topics:

- [About LOBs](#)
- [Differences between TimesTen LOBs and Oracle Database LOBs](#)
- [LOB programming interfaces](#)
- [Using the LOB simple data interface in ODBC](#)
- [Using the LOB piecewise data interface in ODBC](#)
- [Passthrough LOBs in ODBC](#)

Note: TimesTen does not support CLOBs if the database character set is `TIMESTEN8`.

You can also refer to the following:

- ["LOBs in TimesTen OCI"](#) on page 3-19 and ["LOBs in TimesTen Pro*C/C++"](#) on page 4-10 for information specific to those APIs
- ["LOB data types"](#) in *Oracle TimesTen In-Memory Database SQL Reference* for additional information about LOBs in TimesTen
- *Oracle Database SecureFiles and Large Objects Developer's Guide* for general information about programming with LOBs (but not specific to TimesTen functionality)

About LOBs

A LOB is a large binary object (BLOB) or character object (CLOB or NCLOB). In TimesTen, a BLOB can be up to 16 MB in size and a CLOB or NCLOB up to 4 MB. LOBs in TimesTen have essentially the same functionality as in Oracle Database, except as noted otherwise. (See the next section, ["Differences between TimesTen LOBs and Oracle Database LOBs"](#).)

LOBs may be either persistent or temporary. A persistent LOB exists in a LOB column in the database. A temporary LOB exists only within an application. There are circumstances where a temporary LOB is created implicitly by TimesTen. For example, if a `SELECT` statement selects a LOB concatenated with an additional string of characters, TimesTen will create a temporary LOB to contain the concatenated data. In TimesTen ODBC, any temporary LOBs are managed implicitly.

Temporary LOBs are stored in the TimesTen temporary data partition.

Differences between TimesTen LOBs and Oracle Database LOBs

Be aware of the following:

- A key difference between the TimesTen LOB implementation and the Oracle Database implementation is that in TimesTen, a LOB used in an application does not remain valid past the end of the transaction. All such LOBs are invalidated after a commit or rollback, whether explicit or implicit. This includes after any DDL statement if TimesTen `DDLCommitBehavior` is set to 0 (the default), for Oracle Database behavior.

- TimesTen does not support BFILEs, SecureFiles, array reads and writes for LOBs, or callback functions for LOBs.
- TimesTen does not support binding arrays of LOBs.
- TimesTen does not support batch processing of LOBs.
- Relevant to BLOBs, there are differences in the usage of hexadecimal literals in TimesTen. see the description of *HexadecimalLiteral* in "Constants" in *Oracle TimesTen In-Memory Database SQL Reference*.

LOB programming interfaces

There are three programmatic approaches, as follows, for accessing TimesTen LOBs in a C or C++ program.

- Simple data interface (ODBC, OCI, Pro*C/C++, TTClasses): Use binds and defines, as with other scalar types, to transfer LOB data in a single chunk.
- Piecewise data interface (ODBC): Use advanced forms of binds and defines to transfer LOB data in multiple pieces. This is sometimes referred to as *streaming* or using *data-at-exec* (at program execution time). TimesTen supports the piecewise data interface through polling loops to go piece-by-piece through the LOB data. (Another piecewise approach, using callback functions, is supported by Oracle Database but not by TimesTen.)
- LOB locator interface (OCI, Pro*C/C++): Select LOB locators using SQL then access LOB data through APIs that are similar conceptually to those used in accessing a file system. Using the LOB locator interface, you can work with LOB data in pieces or in single chunks. (See "[LOBs in TimesTen OCI](#)" on page 3-19 and "[LOBs in TimesTen Pro*C/C++](#)" on page 4-10.)

The LOB locator interface offers the most utility if it is feasible for you to use it.

Using the LOB simple data interface in ODBC

The simple data interface enables applications to access LOB data by binding and defining, just as with other scalar types. For the simple data interface in ODBC, use `SQLBindParameter` to bind parameters and `SQLBindCol` to define result columns. The application can bind or define using a SQL type that is compatible with the corresponding variable type, as follows:

- For BLOB data, use SQL type `SQL_LONGVARBINARY` and C type `SQL_C_BINARY`.
- For CLOB data, use SQL type `SQL_LONGVARCHAR` and C type `SQL_C_CHAR`.
- For NCLOB data, use SQL type `SQL_WLONGVARCHAR` and C type `SQL_C_WCHAR`.

`SQLBindParameter` and `SQLBindCol` calls for LOB data would be very similar to such calls for other data types, discussed earlier in this chapter.

Note: Binding a CLOB or NCLOB with a C type of `SQL_C_BINARY` is prohibited.

Using the LOB piecewise data interface in ODBC

The piecewise interface enables applications to access LOB data in portions, piece by piece. An application binds parameters or defines results similarly to how those actions are performed for the simple data interface, but indicates that the data is to be provided or retrieved at program execution time ("at exec"). In TimesTen, you can

implement the piecewise data interface through a polling loop that is repeated until all the LOB data has been read or written.

For the piecewise data interface in ODBC, use `SQLParamData` with `SQLPutData` in a polling loop to bind parameters, as shown in [Example 2–9](#) below, and `SQLGetData` in a polling loop to retrieve results. See the preceding section, "[Using the LOB simple data interface in ODBC](#)", for information about supported SQL and C data types for BLOBs, CLOBs, and NCLOBs.

Note: Similar piecewise data access has already been supported for the various APIs in previous releases of TimesTen, for var data types.

Example 2–9 Using `SQLPutData`, ODBC piecewise data interface

This program excerpt uses `SQLPutData` with `SQLParamData` in a polling loop to insert LOB data piece-by-piece into the database. The CLOB column will contain the value "123ABC" when the code is executed.

```
...
/* create a table */
create_stmt = "create table clobtable ( c clob )";
rc = SQLExecDirect(hstmt, (SQLCHAR *)create_stmt, SQL_NTS);
if(rc != SQL_SUCCESS){/* ...error handling... */}

/* initialize an insert statement */
insert_stmt = "insert into clobtable values(?)";
rc = SQLPrepare(hstmt, (SQLCHAR *)insert_stmt, SQL_NTS);
if(rc != SQL_SUCCESS){/* ...error handling... */}

/* bind the parameter and specify that we will be using
 * SQLParamData/SQLPutData */
rc = SQLBindParameter
    hstmt,          /* statement handle */
    1,             /* colnum number */
    SQL_PARAM_INPUT, /* param type */
    SQL_C_CHAR,   /* C type */
    SQL_LONGVARCHAR, /* SQL type (ignored) */
    2,            /* precision (ignored) */
    0,            /* scale (ignored) */
    0,            /* putdata token */
    0,            /* ignored */
    &pcbvalue);  /* indicates use of SQLPutData */
if(rc != SQL_SUCCESS){/* ...error handling... */}

pcbvalue = SQL_DATA_AT_EXEC;

/* execute the statement -- this should return SQL_NEED_DATA */
rc = SQLExecute(hstmt);
if(rc != SQL_NEED_DATA){/* ...error handling... */}

/* while we still have parameters that need data... */
while((rc = SQLParamData(hstmt, &unused)) == SQL_NEED_DATA){

    memcpy(char_buf, "123", 3);
    rc = SQLPutData(hstmt, char_buf, 3);
    if(rc != SQL_SUCCESS){/* ...error handling... */}

    memcpy(char_buf, "ABC", 3);
    rc = SQLPutData(hstmt, char_buf, 3);
}
```

```
    if(rc != SQL_SUCCESS){/* ...error handling... */}
}
...
```

Passthrough LOBs in ODBC

Passthrough LOBs, which are LOBs in Oracle Database accessed through TimesTen, are exposed as TimesTen LOBs and are supported by TimesTen in much the same way that any TimesTen LOB is supported, but note the following:

- TimesTen LOB size limitations do not apply to storage of passthrough LOBs, but do apply to binding.
- As with TimesTen local LOBs, a passthrough LOB used in an application does not remain valid past the end of the transaction.

Making and committing changes to the database

Autocommit is enabled by default (according to the ODBC specification), so that any DML change you make, such as an update, insert, or delete, is committed automatically. It is recommended, however, that you disable this feature and commit (or roll back) your changes explicitly. Use the `SQL_AUTOCOMMIT` option in a `SQLSetConnectOption` call to accomplish this:

```
rc = SQLSetConnectOption(hdbc, SQL_AUTOCOMMIT, SQL_AUTOCOMMIT_OFF);
```

With autocommit disabled, you can commit or roll back a transaction using the `SQLTransact` ODBC function, such as in the following example to commit:

```
rc = SQLTransact(henv, hdbc, SQL_COMMIT);
```

Refer to ODBC API reference documentation for details about these functions.

Notes:

- Autocommit mode applies only to the top-level statement executed by `SQLExecute` or `SQLExecDirect`. There is no awareness of what occurs inside the statement, and therefore no capability for intermediate autocommits of nested operations.
 - All open cursors on the connection are closed upon transaction commit or rollback in TimesTen.
 - The `SQLRowCount` function can be used to return information about SQL operations. For `UPDATE`, `INSERT`, and `DELETE` statements, the output argument returns the number of rows affected. See ["Managing cache groups"](#) on page 2-31 regarding special TimesTen functionality. Refer to ODBC API reference documentation for general information about `SQLRowCount` and its arguments.
-
-

You can refer to "Transaction overview" in *Oracle TimesTen In-Memory Database Operations Guide* for additional information about transactions.

Example 2-10 Updating the database and committing the change

This example prepares and executes a statement to give raises to selected employees, then manually commits the changes. Assume autocommit has been previously disabled.

```

update_example(SQLHDBC hdbc)
{
    SQLCHAR*      stmt_text;
    SQLHSTMT      hstmt;
    SQLINTEGER    raise_pct;
    char          hiredate_str[30];
    SQLLEN        hiredate_len;
    SQLLEN        numrows;

    /* allocate a statement handle */
    SQLAllocStmt(hdbc, &hstmt);

    /* prepare an update statement to give raises to employees hired before a
     * given date */
    stmt_text = (SQLCHAR*)
        "update employees "
        "set salary = salary * ((100 + :raise_pct) / 100.0) "
        "where hire_date < :hiredate";
    SQLPrepare(hstmt, stmt_text, SQL_NTS);

    /* bind parameter 1 (:raise_pct) to variable raise_pct */
    SQLBindParameter(hstmt, 1, SQL_PARAM_INPUT, SQL_C_SLONG,
                    SQL_DECIMAL, 0, 0, (SQLPOINTER)&raise_pct, 0, 0);

    /* bind parameter 2 (:hiredate) to variable hiredate_str */
    SQLBindParameter(hstmt, 2, SQL_PARAM_INPUT, SQL_C_CHAR,
                    SQL_TIMESTAMP, 0, 0, (SQLPOINTER)hiredate_str,
                    sizeof(hiredate_str), &hiredate_len);

    /* set parameter values to give a 10% raise to employees hired before
     * January 1, 1996. */
    raise_pct = 10;
    strcpy(hiredate_str, "1996-01-01");
    hiredate_len = SQL_NTS;

    /* execute the update statement */
    SQLExecute(hstmt);

    /* print the number of employees who got raises */
    SQLRowCount(hstmt, &numrows);
    printf("Gave raises to %d employees.\n", numrows);

    /* drop the statement handle */
    SQLFreeStmt(hstmt, SQL_DROP);

    /* commit the changes */
    SQLTransact(henv, hdbc, SQL_COMMIT);
}

```

Using additional TimesTen data management features

Preceding sections discussed key features for managing TimesTen data. This section covers the additional features listed here.

- [Using CALL to execute procedures and functions](#)
- [Setting a timeout or threshold for executing SQL statements](#)
- [Features for use with IMDB cache](#)
- [Setting globalization options](#)
- [Features for use with replication](#)
- [ODBC 3.0 data types](#)

Using CALL to execute procedures and functions

TimesTen supports each of the following syntax formats from any of its programming interfaces to call PL/SQL procedures (*procname*) or PL/SQL functions (*funcname*) that are standalone or part of a package, or to call TimesTen built-in procedures (*procname*).

```
CALL procname[(argumentlist)]
```

```
CALL funcname[(argumentlist)] INTO :returnparam
```

```
CALL funcname[(argumentlist)] INTO ?
```

TimesTen ODBC also supports each of the following syntax formats:

```
{ CALL procname[(argumentlist)] }
```

```
{ ? = [CALL] funcname[(argumentlist)] }
```

```
{ :returnparam = [CALL] funcname[(argumentlist)] }
```

The following ODBC example calls the TimesTen `ttCkpt` built-in procedure.

```
rc = SQLExecDirect (hstmt, (SQLCHAR*) "call ttCkpt",SQL_NTS);
```

These examples call a PL/SQL procedure `myproc` with two parameters:

```
rc = SQLExecDirect(hstmt, (SQLCHAR*) "{ call myproc(:param1, :param2) }",SQL_NTS);
```

```
rc = SQLExecDirect(hstmt, (SQLCHAR*) "{ call myproc(?, ?) }",SQL_NTS);
```

The following shows several ways to call a PL/SQL function `myfunc`:

```
rc = SQLExecDirect (hstmt, (SQLCHAR*) "CALL myfunc() INTO :retparam",SQL_NTS);
```

```
rc = SQLExecDirect (hstmt, (SQLCHAR*) "CALL myfunc() INTO ?",SQL_NTS);
```

```
rc = SQLExecDirect (hstmt, (SQLCHAR*) "{ :retparam = myfunc() }",SQL_NTS);
```

```
rc = SQLExecDirect (hstmt, (SQLCHAR*) "{ ? = myfunc() }",SQL_NTS);
```

See "CALL" in *Oracle TimesTen In-Memory Database SQL Reference* for details about CALL syntax.

Note:

- A user's own procedure takes precedence over a TimesTen built-in procedure with the same name, but it is best to avoid such naming conflicts.
 - TimesTen does not support using `SQL_DEFAULT_PARAM` with `SQLBindParameter` for a `CALL` statement.
-
-

Setting a timeout or threshold for executing SQL statements

TimesTen offers two ways to limit the time for SQL statements or procedure calls to execute, applying to any `SQLExecute`, `SQLExecDirect`, or `SQLFetch` call.

- [Setting a timeout duration for SQL statements](#)
- [Setting a threshold duration for SQL statements](#)

For the former, if the timeout duration is reached, the statement stops executing and an error is thrown. For the latter, if the threshold is reached, an SNMP trap is thrown but execution continues.

Setting a timeout duration for SQL statements

To control how long SQL statements should execute before timing out, you can set the `SQL_QUERY_TIMEOUT` option using a `SQLSetStmtOption` or `SQLSetConnectOption` call to specify a timeout value, in seconds. A value of 0 indicates no timeout. Despite the name, this timeout value applies to any executable SQL statement, not just queries.

In TimesTen, you can specify this timeout value for a connection, and therefore any statement on the connection, by using the `SqlQueryTimeout` general connection attribute. (Also see "SqlQueryTimeout" in *Oracle TimesTen In-Memory Database Reference*.) A call to `SQLSetConnectOption` with the `SQL_QUERY_TIMEOUT` option overrides any previous query timeout setting. A call to `SQLSetStmtOption` with the `SQL_QUERY_TIMEOUT` option overrides the connection setting for the particular statement.

The query timeout limit has effect only when a SQL statement is actively executing. A timeout does not occur during commit or rollback. For transactions that update, insert, or delete a large number of rows, the commit or rollback phases may take a long time to complete. During that time the timeout value is ignored.

Notes:

- If you are using TimesTen Client/Server, the SQL query timeout should be significantly less than `TTC_Timeout`, and cannot be 0 (for no timeout) if `TTC_Timeout` is greater than 0. For details, see "TTC_Timeout" in *Oracle TimesTen In-Memory Database Reference*.
 - If both a lock timeout value and a SQL query timeout value are specified, the lesser of the two values causes a timeout first. Regarding lock timeouts, you can refer to "ttLockWait" (built-in procedure) or "LockWait" (general connection attribute) in *Oracle TimesTen In-Memory Database Reference*, or to "Check for deadlocks and timeouts" in *Oracle TimesTen In-Memory Database Troubleshooting Guide*.
-
-

Setting a threshold duration for SQL statements

You can configure TimesTen to write a warning to the support log and throw an SNMP trap when the execution of a SQL statement exceeds a specified time duration, in seconds. Execution continues and is not affected by the threshold.

The name of the SNMP trap is `ttQueryThresholdWarnTrap`. See *Oracle TimesTen In-Memory Database Error Messages and SNMP Traps* for information about configuring SNMP traps. Despite the name, this threshold applies to any executable SQL statement.

By default, the application obtains the threshold from the `QueryThreshold` general connection attribute setting (refer to "QueryThreshold" in *Oracle TimesTen In-Memory Database Reference*). Setting the `TT_QUERY_THRESHOLD` option in a `SQLSetConnectOption` call overrides the connection attribute setting for the current connection.

To set the threshold with `SQLSetConnectOption`:

```
RETCODE SQLSetConnectOption(hdbc, TT_QUERY_THRESHOLD, seconds);
```

Setting the `TT_QUERY_THRESHOLD` option in a `SQLSetStmtOption` call overrides the connection attribute setting, and any setting through `SQLSetConnectOption`, for the statement. It applies to SQL statements executed using the ODBC statement handle.

To set the threshold with `SQLSetStmtOption`:

```
RETCODE SQLSetStmtOption(hstmt, TT_QUERY_THRESHOLD, seconds);
```

You can retrieve the current value of `TT_QUERY_THRESHOLD` by using the `SQLGetConnectOption` or `SQLGetStmtOption` ODBC function:

```
RETCODE SQLGetConnectOption(hdbc, TT_QUERY_THRESHOLD, paramvalue);
```

```
RETCODE SQLGetStmtOption(hstmt, TT_QUERY_THRESHOLD, paramvalue);
```

Features for use with IMDB cache

This section discusses features related to the use of IMDB Cache:

- [Setting temporary passthrough level with the `ttOptSetFlag` built-in procedure](#)
- [Determining passthrough status](#)
- [Managing cache groups](#)

See *Oracle In-Memory Database Cache User's Guide* for information about IMDB Cache.

See "PassThrough" in *Oracle TimesTen In-Memory Database Reference* for information about that general connection attribute. See "Setting a passthrough level" in *Oracle In-Memory Database Cache User's Guide* for information about passthrough settings.

Setting temporary passthrough level with the `ttOptSetFlag` built-in procedure

TimesTen provides the `ttOptSetFlag` built-in procedure for setting various flags, including the `PassThrough` flag to temporarily set the passthrough level. You can use `ttOptSetFlag` to set `PassThrough` in a C application as in the following example, which sets the passthrough level to 1. The setting affects all statements that are prepared until the end of the transaction.

```
rc = SQLExecDirect (hstmt, "ttOptSetFlag ('PassThrough', 1)", SQL_NTS);
```

See "`ttOptSetFlag`" in *Oracle TimesTen In-Memory Database Reference* for more information about that built-in procedure.

Determining passthrough status

You can call the `SQLGetStmtOption` ODBC function with the `TT_STMT_PASSTHROUGH_TYPE` statement option to determine whether a SQL statement is to be executed in the TimesTen database or passed through to the Oracle database for execution. For example:

```
rc = SQLGetStmtOption(hStmt, TT_STMT_PASSTHROUGH_TYPE, &passThroughType);
```

You can make this call after preparing the SQL statement. It is useful with `PassThrough` settings of 1, 2, 4, or 5, where the determination of whether a statement will actually be passed through is not made until compilation time. If `TT_STMT_PASSTHROUGH_NONE` is returned, the statement is to be executed in TimesTen. If `TT_STMT_PASSTHROUGH_ORACLE` is returned, the statement is to be passed through to Oracle for execution.

Note: `TT_STMT_PASSTHROUGH_TYPE` is supported with `SQLGetStmtOption` only, not with `SQLSetStmtOption`.

Managing cache groups

In IMDB Cache, following the execution of a `FLUSH CACHE GROUP`, `LOAD CACHE GROUP`, `REFRESH CACHE GROUP`, or `UNLOAD CACHE GROUP` statement, the ODBC function `SQLRowCount` returns the number of cache instances that were flushed, loaded, refreshed, or unloaded.

For related information, see "Determining the number of cache instances affected by an operation" in *Oracle In-Memory Database Cache User's Guide*.

Refer to ODBC API reference documentation for general information about `SQLRowCount`.

Setting globalization options

TimesTen extensions to ODBC enable an application to set options for linguistic sorts, length semantics for character columns, and error reporting during character set conversion. These options can be used in a call to `SQLSetConnectOption`. The options are defined in the `timesten.h` file (noted in "TimesTen include files" on page 2-7).

For more information about linguistic sorts, length semantics, and character sets, see "Globalization Support" in *Oracle TimesTen In-Memory Database Operations Guide*.

This section includes the following TimesTen ODBC globalization options.

- [TT-NLS_SORT](#)
- [TT-NLS_LENGTH_SEMANTICS](#)
- [TT-NLS_NCHAR_CONV_EXCP](#)

TT-NLS_SORT

This option specifies the collating sequence used for linguistic comparisons. See "Monolingual linguistic sorts" and "Multilingual linguistic sorts" in *Oracle TimesTen In-Memory Database Operations Guide* for supported linguistic sorts.

It takes a string value. The default is "BINARY".

Also see the description of the `NLS_SORT` general connection attribute, which has the same functionality, in "NLS_SORT" in *Oracle TimesTen In-Memory Database Reference*.

Note that `TT_NLS_SORT`, being a runtime option, takes precedence over the `NLS_SORT` connection attribute.

TT_NLS_LENGTH_SEMANTICS

This option specifies whether byte or character semantics is used. The possible values are:

- `TT_NLS_LENGTH_SEMANTICS_BYTE` (default)
- `TT_NLS_LENGTH_SEMANTICS_CHAR`

Also see the description of the `NLS_LENGTH_SEMANTICS` general connection attribute, which has the same functionality, in "NLS_LENGTH_SEMANTICS" in *Oracle TimesTen In-Memory Database Reference*. Note that `TT_NLS_LENGTH_SEMANTICS`, being a runtime option, takes precedence over the `NLS_LENGTH_SEMANTICS` connection attribute.

TT_NLS_NCHAR_CONV_EXCP

This option specifies whether an error is reported when there is data loss during an implicit or explicit character type conversion between `NCHAR` or `NVARCHAR2` data and `CHAR` or `VARCHAR2` data during SQL operations. The option does not apply to conversions done by ODBC as a result of binding.

The possible values are:

- `TRUE`: Errors during conversion are reported.
- `FALSE`: Errors during conversion are not reported (default).

Also see the description of the `NLS_NCHAR_CONV_EXCP` general connection attribute, which has the same functionality, in "NLS_NCHAR_CONV_EXCP" in *Oracle TimesTen In-Memory Database Reference*. Note that `TT_NLS_NCHAR_CONV_EXCP`, being a runtime option, takes precedence over the `NLS_NCHAR_CONV_EXCP` connection attribute.

Features for use with replication

For applications that employ replication, you can improve performance by using *parallel replication*, which uses multiple threads acting in parallel to replicate and apply transactional changes to nodes in a replication scheme. TimesTen supports two types of parallel replication: automatic and user-defined.

Automatic parallel replication enforces transactional dependencies and applies changes in commit order.

In user-defined parallel replication, there are user-defined *tracks* of transactions that operate in parallel. The application assigns transactions to tracks and specifies which track a transaction belongs to when the transaction starts on the source database. The transactions in each track are applied in the order in which they are received on the target database, but commit order is not maintained for transactions across the different tracks. You can use user-defined parallel replication if your application has predictable transactional dependencies and does not require the commit order on the target database to be the same as the order on the source database.

See "Configuring parallel replication" in *Oracle TimesTen In-Memory Database Replication Guide* for additional information and usage scenarios.

Note: Automatic parallel replication is generally advisable over user-defined parallel replication. With user-defined parallel replication, care must be taken to avoid data divergence between replication nodes.

In an ODBC application with user-defined parallel replication, specify the track number for transactions on a connection through the `TT_REPLICATION_TRACK` connection option, as noted in ["Option support for SQLSetConnectOption and SQLGetConnectOption"](#) on page 10-3. (Alternatively, use the general connection attribute `ReplicationTrack` or the `ALTER SESSION` parameter `REPLICATION_TRACK`.)

ODBC 3.0 data types

The data types used in ODBC 2.0 and prior have been renamed in ODBC 3.0 for ISO 92 standards compliance. The sample programs shipped with TimesTen have been written using SQL 3.0 data types. The following table maps 2.0 types to their 3.0 equivalents.

Note that TimesTen supports ODBC 2.5, Extension Level 1, with additional features for Extension Level 2 where those features are included in [Chapter 10, "TimesTen ODBC Functions and Options"](#).

ODBC 2.0 data type	ODBC 3.0 data type
HDBC	SQLHDBC
HENV	SQLHENV
HSTMT	SQLHSTMT
HWND	SQLHWND
LDOUBLE	SQLDOUBLE
RETCODE	SQLRETURN
SCHAR	SQLSCHAR
SDOUBLE	SQLFLOATS
SDWORD	SQLINTEGER
SFLOAT	SQLREAL
SWORD	SQLSMALLINT
UCHAR	SQLCHAR
UDWORD	SQLUINTEGER
UWORD	SQLUSMALLINT

Either version of data types may be used with TimesTen without restriction.

Note also that the `FAR` modifier that is mentioned in ODBC 2.0 documentation is not required.

Considering TimesTen features for access control

TimesTen has features to control database access with object-level resolution for database objects such as tables, views, materialized views, sequences, and synonyms.

You can refer to "Managing Access Control" in *Oracle TimesTen In-Memory Database Operations Guide* for introductory information about these features.

This section introduces access control as it relates to SQL operations, database connections, XLA, and C utility functions.

For any query or SQL DML or DDL statement discussed in this document or used in an example, it is assumed that the user has appropriate privileges to execute the statement. For example, a `SELECT` statement on a table requires ownership of the table, `SELECT` privilege granted for the table, or the `SELECT ANY TABLE` system privilege. Similarly, any DML statement requires table ownership, the applicable DML privilege (such as `UPDATE`) granted for the table, or the applicable `ANY TABLE` privilege (such as `UPDATE ANY TABLE`).

For DDL statements, `CREATE TABLE` requires the `CREATE TABLE` privilege in the user's schema, or `CREATE ANY TABLE` in any other schema. `ALTER TABLE` requires ownership or the `ALTER ANY TABLE` system privilege. `DROP TABLE` requires ownership or the `DROP ANY TABLE` system privilege. There are no object-level `ALTER` or `DROP` privileges.

Refer to "SQL Statements" in *Oracle TimesTen In-Memory Database SQL Reference* for the privilege required for any given SQL statement.

Privileges are granted through the SQL statement `GRANT` and revoked through the statement `REVOKE`. Some privileges are granted to all users through the `PUBLIC` role, of which each user is a member. See "The `PUBLIC` role" in *Oracle TimesTen In-Memory Database SQL Reference* for information about that role.

In addition, access control affects the following topics covered in this document:

- Connecting to a database: Refer to "[Access control for connections](#)" on page 2-6.
- Setting connection attributes: Refer to "[Setting connection attributes programmatically](#)" on page 2-6.
- Configuring and managing XLA and using XLA functions: Refer to "[Access control impact on XLA](#)" on page 5-8. Also refer to [Chapter 9, "XLA Reference."](#) The documentation for each XLA function notes the required privilege.
- Executing C utility functions: Refer to [Chapter 8, "TimesTen Utility API."](#) The documentation for each utility mentions whether any privilege is required.

Notes:

- Access control cannot be disabled.
 - Access control privileges are checked both when SQL is prepared and when it is executed in the database, with most of the performance cost coming at prepare time.
-
-

Handling Errors

This section includes the following topics:

- [Checking for errors](#)
- [Error and warning levels](#)
- [Recovering after fatal errors](#)

Checking for errors

An application should check for errors and warnings on every call. This saves considerable time and effort during development and debugging. The demo programs provided with TimesTen show examples of error checking.

Errors can be checked using either the TimesTen error code (error number) or error string, as defined in the `install_dir/include/tt_errCode.h` file. Entries are in the following format:

```
#define tt_ErrMemoryLock          712
```

For a description of each message, see "List of errors and warnings" in *Oracle TimesTen In-Memory Database Error Messages and SNMP Traps*.

After calling an ODBC function, check the return code. If the return code is not `SQL_SUCCESS`, use an error-handling routine that calls the ODBC function `SQLError` to retrieve the errors on the relevant ODBC handle. A single ODBC call may return multiple errors. The application should be written to return all errors by repeatedly calling the `SQLError` function until all errors are read from the error stack. Continue calling `SQLError` until the return code is `SQL_NO_DATA_FOUND`.

Refer to ODBC API reference documentation for details about the `SQLError` function and its arguments.

For more information about writing a function to handle standard ODBC errors, see "Retrieving errors and warnings" in *Oracle TimesTen In-Memory Database Error Messages and SNMP Traps*.

Example 2-11 Checking an ODBC function call for errors

This example shows that after a call to `SQLAllocConnect`, you can check for an error condition. If one is found, an error message is displayed and program execution is terminated.

```
rc = SQLAllocConnect(henv, &hdbc);

if (rc != SQL_SUCCESS) {
    handleError(rc, henv, hdbc, hstmt, err_buf, &native_error);
    fprintf(stderr,
            "Unable to allocate a connection handle:\n%s\n",
            err_buf);
    exit(-1);
}
```

Error and warning levels

When operations are not completely successful, TimesTen can return fatal errors, non-fatal errors, or warnings.

Fatal errors

Fatal errors are those that make the database inaccessible until after error recovery. When a fatal error occurs, all database connections are required to disconnect. No further operations may complete. Fatal errors are indicated by TimesTen error codes 846 and 994. Error handling for these errors should be different from standard error handling. In particular, the application error-handling code should roll back the current transaction and disconnect from the database.

Also see ["Recovering after fatal errors"](#) on page 2-36.

Non-fatal errors

Non-fatal errors include simple errors such as an `INSERT` statement that violates unique constraints. This category also includes some classes of application and process failures.

TimesTen returns non-fatal errors through the normal error-handling process. Application should check for errors and appropriately handle them.

When a database is affected by a non-fatal error, an error may be returned and the application should take appropriate action.

An application can handle non-fatal errors by modifying its actions or, in some cases, rolling back one or more offending transactions.

Warnings

TimesTen returns warnings when something unexpected occurs that you may want to know about. Here are some events that cause TimesTen to issue a warning:

- Checkpoint failure
- Use of a deprecated TimesTen feature
- Truncation of some data
- Execution of a recovery process upon connect
- Replication return receipt timeout

Application developers should have code that checks for warnings, as they can indicate application problems.

Abnormal termination

In some cases, such as process failure, no error is returned, but TimesTen automatically rolls back the transactions of the failed process.

Recovering after fatal errors

When fatal errors occur, TimesTen performs a full cleanup and recovery procedure:

- Every connection to the database is invalidated. To avoid out-of-memory conditions in the server, applications are required to disconnect from the invalidated database. Shared memory from the old TimesTen instance will not be freed until all active connections at the time of the error have disconnected. Inactive applications still connected to the old TimesTen instance may have to be manually terminated.
- The database is recovered from the checkpoint and transaction log files upon the first subsequent initial connection.
- The recovered database reflects the state of all durably committed transactions and possibly some transactions that were committed non-durably.
- No uncommitted or rolled back transactions are reflected.

Using automatic client failover in your application

Automatic client failover is for use in High Availability scenarios with a TimesTen active standby pair replication configuration. If there is a failure of the active node, failover (transfer) to the new active (original standby) node occurs, and applications are automatically reconnected to the new active node. TimesTen provides features that

enable applications to be alerted when this happens, so they can take any appropriate action.

This section discusses the TimesTen implementation of automatic client failover as it applies to application developers, covering the following topics.

- [Functionality of automatic client failover](#)
- [Configuration of automatic client failover](#)
- [Failover callback functions](#)

See "Using automatic client failover" in *Oracle TimesTen In-Memory Database Operations Guide* for additional information about this feature.

Functionality of automatic client failover

When an application first connects to the active node, the connection is registered and this registration is replicated to the standby node. If the active node fails, the standby node becomes the new active node and then notifies the client of the failover. At this point, be aware of the following:

- The client will have a new connection to the new active node, but using the same ODBC connection handle as before. No state from the original connection, other than the handle itself, is preserved. The application must open new ODBC statement handles.
- There is a failover listener thread at each client that invokes the failover event function associated with your application, if a function has been registered. (See ["Failover callback functions"](#) on page 2-38.)

All client statement handles from the original connection are marked as invalid. API calls on these statement handles will generally return `SQL_ERROR` with a distinctive failover error code, defined in `tt_errCode.h`, such as:

```
SQLSTATE = S1000 "General Error", native error = tt_ErrFailoverInvalidation
```

The exception to this is for `SQLError` and `SQLFreeStmt` calls, which behave normally.

In addition, note the following:

- The socket to the original active node is closed. There is no attempt to call `SQLDisconnect`.
- In connecting to the new active (original standby) TimesTen node, the same connection string that was returned from the original connection request is used, except the new server DSN is specified.
- It is up to the application to open new statement handles and reexecute necessary `SQLPrepare` calls.
- If a failover has already occurred and the client is already connected to the new active node, the next failover request results in an attempt to reconnect to the original active node. If that fails, alternating attempts are made to connect to the two servers until there is a timeout, and the connection is blocked during this period. The timeout value is according to the TimesTen client connection attribute `TTC_Timeout` (default 60 seconds), but with a minimum value of 60 seconds regardless of the `TTC_Timeout` setting. (Refer to "TTC_Timeout" in *Oracle TimesTen In-Memory Database Reference* for information about that attribute.)
- Failover connections are created only as needed, not in advance.

When failover has completed, TimesTen makes a callback to a user-defined function that you register. This function takes care of any custom actions you want to occur in a failover situation.

The following public connection options will be propagated to the new connection. The corresponding general connection attribute is shown in parentheses where applicable. The `TT_REGISTER_FAILOVER_CALLBACK` option is used to register your callback function.

```
SQL_ACCESS_MODE
SQL_AUTOCOMMIT
SQL_TXN_ISOLATION (Isolation)
SQL_OPT_TRACE
SQL_QUIET_MODE
TT_PREFETCH_CLOSE
TT_CLIENT_TIMEOUT (TTC_TIMEOUT)
TT_REGISTER_FAILOVER_CALLBACK
```

The following options will be propagated to the new connection if they were set through connection attributes or `SQLSetConnectOption` calls, but not if set through TimesTen built-in procedures or `ALTER SESSION`.

```
TT_NLS_SORT (NLS_SORT)
TT_NLS_LENGTH_SEMANTICS (NLS_LENGTH_SEMANTICS)
TT_NLS_NCHAR_CONV_EXCP (NLS_NCHAR_CONV_EXCP)
TT_DYNAMIC_LOAD_ENABLE (DynamicLoadEnable)
TT_DYNAMIC_LOAD_ERROR_MODE (DynamicLoadErrorMode)
```

The following options will be propagated to the new connection if they were set on the connection handle.

```
SQL_QUERY_TIMEOUT
TT_PREFETCH_COUNT
```

Configuration of automatic client failover

Refer to "Configuring automatic client failover" in *Oracle TimesTen In-Memory Database Operations Guide* for information.

Note: Setting any of `TTC_Server2`, `TTC_Server_DSN2`, or `TCP_Port2` implies the following:

- You intend to use automatic client failover.
 - You understand that a new thread will be created for your application to support the failover mechanism.
 - You have linked your application with a thread library (pthreads on UNIX systems).
-
-

Failover callback functions

When failover occurs, TimesTen makes a callback to your user-defined function for any desired action. This function is called when the attempt to connect to the new active (original standby) node begins, and again after the attempt to connect is complete. This function could be used, for example, to cleanly restore statement handles.

The function API is defined as follows.

```
typedef SQLRETURN (*ttFailoverCallbackFcn_t)
(SQLHDBC,          /* hdbc */
 SQLPOINTER,      /* foCtx */
 SQLUIINTEGER,    /* foType */
 SQLUIINTEGER);  /* foEvent */
```

Where:

- *hdbc* is the ODBC connection handle for the connection that failed.
- *foCtx* is a pointer to an application-defined data structure, for use as needed.
- *foType* is the type of failover. In TimesTen, the only supported value for this is `TT_FO_SESSION`, which results in the session being reestablished. This does not result in statements being re-prepared.
- *foEvent* indicates the event that has occurred, with the following supported values:
 - `TT_FO_BEGIN`: Beginning failover.
 - `TT_FO_ABORT`: Failover failed. Retries were attempted for the interval specified by `TTC_Timeout` (minimum value 60 seconds for active standby failover) without success.
 - `TT_FO_END`: Successful end of failover.
 - `TT_FO_ERROR`: A failover connection failed but will be retried.

Note that `TT_FO_REAUTH` is *not* supported by TimesTen client failover.

Use a `SQLSetConnectOption` call to set the TimesTen `TT_REGISTER_FAILOVER_CALLBACK` option to register the callback function, specifying an option value that is a pointer to a structure of C type `ttFailoverCallback_t`, which is defined as follows in the `timesten.h` file and refers to the callback function:

```
typedef struct{
    SQLHDBC                appHdbc;
    ttFailoverCallbackFcn_t callbackFcn;
    SQLPOINTER             foCtx;
} ttFailoverCallback_t;
```

Where:

- *appHdbc* is the ODBC connection handle, and should have the same value as *hdbc* in the `SQLSetConnectOption` calling sequence. (It is required in the data structure due to driver manager implementation details, in case you are using a driver manager.)
- *callbackFcn* specifies the callback function. (You can set this to `NULL` to cancel callbacks for the given connection. The failover will still happen, but the application will not be notified.)
- *foCtx* is a pointer to an application-defined data structure, as in the function description earlier.

Set `TT_REGISTER_FAILOVER_CALLBACK` for each connection for which a callback is desired. The values in the `ttFailoverCallback_t` structure will be copied when the `SQLSetConnectOption` call is made. The structure need not be kept by the application. If `TT_REGISTER_FAILOVER_CALLBACK` is set multiple times for a connection, the last setting takes precedence.

Notes:

- Because the callback function executes asynchronously to the main thread of your application, it should generally perform only simple tasks, such as setting flags that are polled by the application. However, there is no such restriction if the application is designed for multithreading. In that case, the function could even make ODBC calls, for example, but it is only safe to do so if the *foEvent* value `TT_FO_END` has been received.
 - It is up to the application to manage the data pointed to by the *foCtx* setting.
-

Example 2–12 Failover callback function and registration

This example shows the following:

- A globally defined user structure type, `FOINFO`, and the structure variable `foStatus` of type `FOINFO`
- A callback function, `FailoverCallback()`, that updates the `foStatus` structure whenever there is a failover
- A registration function, `RegisterCallback()`, that does the following:
 - Declares a structure, `failoverCallback`, of type `ttFailoverCallback_t`.
 - Initializes `foStatus` values.
 - Sets the `failoverCallback` data values, consisting of the connection handle, a pointer to `foStatus`, and the callback function (`FailoverCallback`).
 - Registers the callback function with a `SQLSetConnectOption` call that sets `TT_REGISTER_FAILOVER_CALLBACK` as a pointer to `failoverCallback`.

```
/* user defined structure */
struct FOINFO
{
    int callCount;
    SQLUIINTEGER lastFoEvent;
};
/* global variable passed into the callback function */
struct FOINFO foStatus;

/* the callback function */
SQLRETURN FailoverCallback (SQLHDBC hdbc,
                            SQLPOINTER pCtx,
                            SQLUIINTEGER FOType,
                            SQLUIINTEGER FOEvent)
{
    struct FOINFO* pFoInfo = (struct FOINFO*) pCtx;

    /* update the user defined data */
    if (pFoInfo != NULL)
    {
        pFoInfo->callCount ++;
        pFoInfo->lastFoEvent = FOEvent;

        printf ("Failover Call #%d\n", pFoInfo->callCount);
    }

    /* the ODBC connection handle */
```

```

printf ("Failover JDBC : %p\n", hdbc);

/* pointer to user data */
printf ("Failover Data : %p\n", pCtx);

/* the type */
switch (FOType)
{
    case TT_FO_SESSION:
        printf ("Failover Type : TT_FO_SESSION\n");
        break;

    default:
        printf ("Failover Type : (unknown)\n");
}

/* the event */
switch (FOEvent)
{
    case TT_FO_BEGIN:
        printf ("Failover Event: TT_FO_BEGIN\n");
        break;

    case TT_FO_END:
        printf ("Failover Event: TT_FO_END\n");
        break;

    case TT_FO_ABORT:
        printf ("Failover Event: TT_FO_ABORT\n");
        break;

    case TT_FO_REAUTH:
        printf ("Failover Event: TT_FO_REAUTH\n");
        break;

    case TT_FO_ERROR:
        printf ("Failover Event: TT_FO_ERROR\n");
        break;

    default:
        printf ("Failover Event: (unknown)\n");
}

return SQL_SUCCESS;
}

/* function to register the callback with the failover connection */
SQLRETURN RegisterCallback (SQLHDBC hdbc)
{
    SQLRETURN rc;
    ttFailoverCallback_t failoverCallback;

    /* initialize the global user defined structure */
    foStatus.callCount = 0;
    foStatus.lastFoEvent = -1;

    /* register the connection handle, callback and the user defined structure */
    failoverCallback.appHdbc = hdbc;
    failoverCallback.foCtx = &foStatus;
    failoverCallback.callbackFcn = FailoverCallback;
}

```

```
rc = SQLSetConnectOption (hdbc, TT_REGISTER_FAILOVER_CALLBACK,  
    (SQLULEN)&failoverCallback);  
  
return rc;  
}
```

When a failover occurs, the callback function would produce output such as the following:

```
Failover Call #1  
Failover HDBC : 0x8198f50  
Failover Data : 0x818f8ac  
Failover Type : TT_FO_SESSION  
Failover Event: TT_FO_BEGIN
```

TimesTen Support for OCI

TimesTen and Oracle IMDB Cache support the Oracle Call Interface (OCI) for C or C++ programs.

This chapter provides an overview and TimesTen-specific information regarding OCI, especially emphasizing differences between using OCI with TimesTen versus with Oracle Database. For complete information about OCI, you can refer to *Oracle Call Interface Programmer's Guide* in the Oracle Database library.

Also note that [Chapter 2, "Working with TimesTen Databases in ODBC"](#), contains information that may be of general interest regarding TimesTen features.

The following topics are covered:

- [Overview of OCI](#)
- [Overview of TimesTen OCI support](#)
- [Getting started with TimesTen OCI](#)
- [Additional features of TimesTen OCI](#)
- [TimesTen OCI support reference](#)

Overview of OCI

OCI is an API that provides functions you can use to access the database server and control SQL execution. OCI supports the data types, calling conventions, syntax, and semantics of the C and C++ programming languages. You compile and link an OCI program much as you would any C or C++ program. There is no preprocessing or precompilation step.

The OCI library of database access and retrieval functions is in the form of a dynamic runtime library that can be linked into an application at runtime. The OCI library includes the following functional areas:

- SQL access functions
- Data type mapping and manipulation functions

The following are among the many useful features that OCI provides or supports:

- Statement caching
- Dynamic SQL
- Facilities to treat transaction control, session control, and system control statements like DML statements
- Description functionality to expose layers of server metadata

- Ability to associate commit requests with statement executions to reduce round trips
- Optimization of queries using transparent prefetch buffers to reduce round trips
- Thread safety that eliminates the need for mutual exclusive locks on OCI handles

For general information about OCI, you can refer to *Oracle Call Interface Programmer's Guide*, included with the Oracle Database documentation set.

Overview of TimesTen OCI support

This chapter contains information specific to using OCI with TimesTen and IMDB Cache. For supported features, TimesTen OCI syntax and usage is the same as that in Oracle Database.

This section covers the following topics:

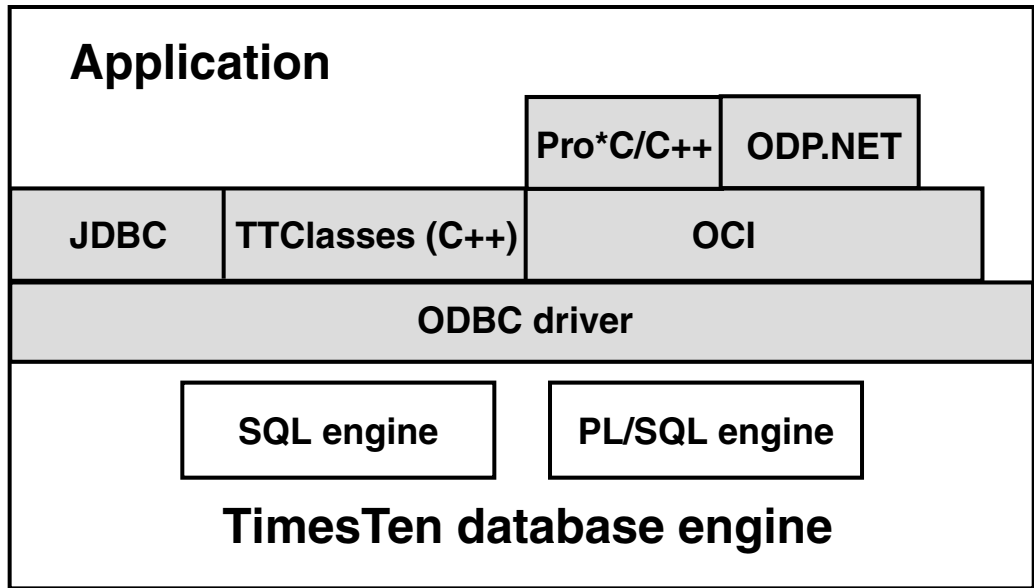
- [OCI libraries and architecture](#)
- [Globalization support](#)
- [TimesTen restrictions and differences](#)
- [The ttSrcScan utility](#)

OCI libraries and architecture

TimesTen OCI depends on the Oracle Database client library and the TimesTen ODBC libraries. TimesTen OCI support enables you to run many existing OCI applications with TimesTen direct connections or client/server connections. It also enables you to use other Oracle Database products, such as Pro*C/C++ and ODP.NET, that use OCI as a database interface. (You can also call PL/SQL from OCI, Pro*C/C++, and ODP.NET applications.) [Figure 3-1](#) shows where OCI support is positioned in the TimesTen architecture.

TimesTen provides Oracle Instant Client as the OCI client library. This is configured through the appropriate `ttenv` script, as discussed in "[Setting the environment for development](#)" on page 1-1.

Figure 3-1 OCI in the TimesTen architecture



TimesTen 11g Release 2 (11.2.2) OCI is based on Oracle Database release 11.2.0.2 OCI and supports the contemporary OCI 8 style APIs. For example, the `OCIStmtExecute()` function is supported but not the older `oexec()` function. See "Obsolete OCI Routines" in *Oracle Call Interface Programmer's Guide* in the Oracle Database documentation.

Globalization support

This section discusses TimesTen OCI support for globalization.

Character sets

To specify a character set for the connection, OCI programs can set the `NLS_LANG` environment variable or call `OCIEnvNlsCreate()`. The setting in the `sys.odbci.ini` or user `odbci.ini` file is used by default if not overridden by `NLS_LANG` or `OCIEnvNlsCreate()`. Setting the character set explicitly is recommended. The default is typically `AMERICAN_AMERICA.US7ASCII`.

Note that because TimesTen OCI does not support language or locale (territory) settings, the language and territory components of `NLS_LANG`, such as `AMERICAN_AMERICA` above, are ignored. Even when not specifying the language and locale, however, you must still have the period in front of the character set when setting `NLS_LANG`. For example, either of the following would work, although `AMERICAN_AMERICA` is ignored:

```
NLS_LANG=AMERICAN_AMERICA.WE8ISO8859P1
```

Or:

```
NLS_LANG=.WE8ISO8859P1
```

Notes:

- An NLS_LANG environment setting overrides the TimesTen default character set.
 - The TIMESTEN8 character set is not supported.
 - On Windows, the NLS_LANG setting is searched for in the registry if it is not in the environment. If your OCI or Pro*C/C++ program has trouble connecting to TimesTen, verify that the NLS_LANG setting under HKEY_LOCAL_MACHINE\Software\ORACLE\, if that key exists, is valid and indicates a character set supported by TimesTen. (The NLS_LANG registry setting may not exist or may be set to an invalid value, such as "NA". In these cases, the TimesTen installer will use AMERICAN_AMERICA.US7ASCII.) This is likely only an issue on systems that previously had Oracle9i or earlier Oracle Database versions installed.
 - Refer to "Choosing a Locale with the NLS_LANG Environment Variable" in *Oracle Database Globalization Support Guide* for information about NLS_LANG.
 - Refer to "OCIEnvNlsCreate()" in *Oracle Call Interface Programmer's Guide* for information about that OCI call.
-

Additional globalization features

TimesTen OCI also supports the following additional globalization features. These can be set as environment variables, TimesTen general connection attributes, or TimesTen ODBC connection options. For the connection options, the names here are prepended by "TT_". An environment variable setting takes precedence over a corresponding connection attribute or connection option setting. A connection option setting takes precedence over a corresponding connection attribute setting.

- NLS_LENGTH_SEMANTICS: By default, the lengths of character data types CHAR and VARCHAR2 are specified in bytes, not characters. For single-byte character encoding this works well. For multibyte character encoding, you can use NLS_LENGTH_SEMANTICS to create CHAR and VARCHAR2 columns using character-length semantics instead. Supported settings are BYTE (default) and CHAR. (NCHAR and NVARCHAR2 columns are always character-based. Existing columns are not affected.)
- NLS_SORT: This specifies the type of sort for character data. It overrides the default value from NLS_LANGUAGE. Valid values are BINARY or any linguistic sort name supported by TimesTen. For example, to specify the German linguistic sort sequence, set NLS_SORT=German.
- NLS_NCHAR_CONV_EXCP: This determines whether an error is reported when there is data loss during an implicit or explicit character type conversion between NCHAR or NVARCHAR data and CHAR or VARCHAR2 data. Valid settings are TRUE and FALSE. The default value is FALSE, resulting in no error being reported.

Refer to "Globalization Support" in *Oracle TimesTen In-Memory Database Operations Guide* and "Setting Up a Globalization Support Environment" in *Oracle Database Globalization Support Guide* for additional information on these environment variables and related features. See ["Option support for SQLSetConnectOption and SQLGetConnectOption"](#) on page 10-3 for information about TimesTen connection option support.

TimesTen restrictions and differences

This section discusses the following areas of restrictions and differences for OCI in TimesTen compared to in the Oracle Database:

- [Oracle Database features not supported](#)
- [Additional TimesTen OCI restrictions](#)
- [Additional TimesTen OCI differences](#)

Oracle Database features not supported

TimesTen does not support OCI calls that are related to functionality that does not exist in TimesTen or IMDB Cache. For example, TimesTen and IMDB Cache do not support these Oracle Database features:

- Advanced Queuing
- Any Data
- Object support
- Collections
- Cartridge Services
- Direct path loading
- Date/time intervals
- Iterators
- BFILEs
- Cryptographic Toolkit
- XML DB support
- Spatial Services
- Event handling
- Session switching
- Scrollable cursors

Additional TimesTen OCI restrictions

TimesTen OCI has the following restrictions:

- The `TypeMode` data store attribute must be set to 0, which corresponds to Oracle Database behavior.
- The `DuplicateBindMode` general connection attribute must be set to 0, which corresponds to Oracle Database behavior.
- The `DDLCommitBehavior` general connection attribute must be set to 0, which corresponds to Oracle Database behavior.
- Asynchronous calls are not supported.
- Connection pooling and session pooling are not supported.
- Describing objects with `OCIDescribeAny()` is supported only by name. Describing PL/SQL objects is not supported. (Also see the entry for this function under ["Supported OCI calls"](#) on page 3-30.)
- TimesTen Client/Server automatic client failover is not supported.

- The `TNSPING` utility does not recognize connections to TimesTen.
- Retrieving implicit `ROWID` values from `INSERT`, `UPDATE`, and `DELETE` statements is not supported. (This is supported for `SELECT FOR UPDATE` statements, however.)
- TimesTen built-in procedures that return result sets are not supported directly.
- Only a single `REF CURSOR` can be returned from a PL/SQL block, procedure call, or function call.
- Binding and defining of structures through `OCIBindArrayOfStruct()` and `OCIDefineArrayOfStruct()` is supported for SQL statements but not for PL/SQL. (Also see the entries for these functions under "[Supported OCI calls](#)" on page 3-30.)
- Oracle Database utilities such as `SQL*Plus` and `SQL*Loader` are not supported. (In TimesTen, you can use `ttIsq1` instead of `SQL*Plus` and `ttBulkCp` instead of `SQL*Loader`. See "Utilities" in *Oracle TimesTen In-Memory Database Reference*.)
- Array binding, the ability to bind arrays into PL/SQL statements, is supported for associative arrays (index-by tables or PL/SQL tables) but is *not* supported for varrays (variable size arrays) or nested tables. (See "[Associative array bindings in TimesTen OCI](#)" on page 3-13.)

Additional TimesTen OCI differences

Be aware of the following:

- Both TimesTen and Oracle Database support XA, but TimesTen does not support XA through OCI.
- With OCI, TimesTen automatically disables autocommit for DML statements. Transactions should be explicitly committed or rolled back when finished.
- There are differences in the usage of hexadecimal literals in TimesTen. See the description of *HexadecimalLiteral* in "Constants" in *Oracle TimesTen In-Memory Database SQL Reference*.

The ttSrcScan utility

If you have an existing OCI program and want to see whether it uses OCI features that TimesTen does not support, you can use the `ttSrcScan` command line utility to scan your program for unsupported functions, types, type codes, attributes, modes, and constants. This is a standalone utility that can be run without TimesTen or Oracle Database being installed and runs on any platform supported by TimesTen. It reads source code files as input and creates HTML and text files as output. If the utility finds unsupported items, then they are logged and alternatives are suggested. You can find the `ttSrcScan` executable in the `quickstart/sample_util` directory in your TimesTen installation.

Specify an input file or directory for the program to be scanned and an output directory for the `ttSrcScan` reports. Other options are available as well. See the README file in the `sample_util` directory for information.

Getting started with TimesTen OCI

This section discusses the following topics for getting started with a TimesTen OCI application:

- [Environment variables for TimesTen OCI](#)

- [Compiling and linking OCI applications](#)
- [Connecting to a TimesTen database from OCI](#)
- [Error reporting](#)
- [Signal handling and diagnostic framework considerations](#)
- [OCI demo programs](#)

Environment variables for TimesTen OCI

Environment variables for executing a TimesTen OCI application are described in [Table 3-1](#). Settings apply to both direct connections and client/server connections except as noted.

After installation, you can modify environment variables as appropriate through the TimesTen `install_dir/bin/ttenv` script or `quickstart/ttquickstartenv` script applicable to your operating system. Also see "[Setting the environment for development](#)" on page 1-1.

You can also use the TimesTen OCI and Pro*C/C++ Makefiles provided with the Quick Start demos to implement appropriate environment settings. These are in the following locations:

```
quickstart/sample_code/oci/  
quickstart/sample_code/proc/
```

Refer to "Environment variables" in *Oracle TimesTen In-Memory Database Installation Guide* for additional information about environment variables and `ttenv`.

Note: To ensure proper generation of OCI programs to be run on TimesTen, do not set `ORACLE_HOME` (or unset it if it was set previously) for OCI compilations.

Table 3–1 Environment variables for TimesTen OCI

Variable	Required or optional	Settings
LD_LIBRARY_PATH (UNIX) PATH (Windows)	Required	Must be set so that the TimesTen Instant Client directory precedes the Oracle Database libraries in the path. The path will be set properly if you use either of the following scripts under <i>install_dir</i> (the second path assuming the standard Quick Start location): bin/ttenv quickstart/ttquickstartenv
TNS_ADMIN	Required if you use the tnsnames naming method	Specifies the directory where the tnsnames.ora file is located. This is also where TimesTen looks for a sqlnet.ora file.
TWO_TASK (UNIX) LOCAL (Windows)	Optional	You can use this, whichever is appropriate for your platform, instead of specifying the <i>dbname</i> argument in your OCI logon call. The setting consists of a valid TNS name or easy connect string. See "Connecting to a TimesTen database from OCI" on page 3-9 for more information.
NLS_LANG	Optional	See "Character sets" on page 3-3. Only the character set component is honored and it must indicate a character set supported by TimesTen. The language and territory values are ignored. This environment variable overrides the TimesTen default character set.
NLS_SORT	Optional	See "Additional globalization features" on page 3-4. The sort order must be a value supported by TimesTen. This overrides the TimesTen NLS_SORT general connection attribute.
NLS_LENGTH_SEMANTICS	Optional	See "Additional globalization features" on page 3-4. This overrides the TimesTen NLS_LENGTH_SEMANTICS general connection attribute.
NLS_NCHAR_CONV_EXCP	Optional	See "Additional globalization features" on page 3-4. This overrides the TimesTen NLS_NCHAR_CONV_EXCP general connection attribute.

Note: Refer to "NLS general connection attributes" in *Oracle TimesTen In-Memory Database Reference* for information about the NLS connection attributes mentioned in the table.

Compiling and linking OCI applications

No changes are required between Oracle Database and TimesTen for the steps to compile and link an OCI application.

OCI programs that use the Oracle Client 11.2.0.2 library do not have to be recompiled or relinked to be executed with TimesTen.

Connecting to a TimesTen database from OCI

TimesTen OCI uses the Oracle Instant Client to connect to the TimesTen database. You can connect to the database through either the `tnsnames` or the *easy connect* naming method, similarly to how you would connect to an Oracle database through those methods.

This section covers the following topics:

- [Using the tnsnames naming method to connect](#)
- [Using an easy connect string to connect](#)
- [Configuring whether to use tnsnames.ora or easy connect](#)
- [Connecting as an externally identified user in OCI](#)

Refer to "Configuring Naming Methods" in *Oracle Database Net Services Administrator's Guide* for additional information about `tnsnames`, *easy connect*, and the `tnsnames.ora` file.

Notes:

- Although the `sqlnet` mechanism is used for a TimesTen OCI connection, the connection goes through the TimesTen ODBC driver, not the Oracle `sqlnet` driver.
 - Privilege to connect to the database must be explicitly granted, through the `CREATE SESSION` privilege, to every user other than the instance administrator who wants to connect to TimesTen. Refer to "[Access control for connections](#)" on page 2-6.
-
-

Using the tnsnames naming method to connect

TimesTen supports `tnsnames` syntax. You can use a TimesTen `tnsnames.ora` entry the same way you would use an Oracle `tnsnames.ora` entry.

The syntax of a TimesTen entry in `tnsnames.ora` is as follows:

```
tns_entry = (DESCRIPTION =
            (CONNECT_DATA =
              (SERVICE_NAME = dsn)
              (SERVER = timesten_direct | timesten_client)))
```

Where `tns_entry` is the arbitrary TNS name you assign to the entry. You can use this as the `dbname` argument in `OCILogon()`, `OCILogon2()`, and `OCIServerAttach()` calls.

`DESCRIPTION` and `CONNECT_DATA` are required as shown.

For `SERVICE_NAME`, `dsn` must be a TimesTen DSN that is configured in the `sys.odbci.ini` or `user.odbci.ini` file that is visible to a user running your OCI application. On Windows, the DSN can be specified by using the ODBC Data Source Administrator. See "Managing TimesTen Databases" in *Oracle TimesTen In-Memory Database Operations Guide*.

For `SERVER`, `timesten_direct` specifies a direct connection to TimesTen or `timesten_client` specifies a client/server connection. If you choose `timesten_client`, the DSN must be configured as a client/server database.

As always, the host and port of the TimesTen server are determined from entries in the `sys.ttconnect.ini` file, according to the DSN. See "Working with the TimesTen Client and Server" in *Oracle TimesTen In-Memory Database Operations Guide*.

Here is a sample `tnsnames.ora` entry for a direct connection:

```
my_tnsname = (DESCRIPTION =
              (CONNECT_DATA =
                (SERVICE_NAME = my_dsn)
                (SERVER = timesten_direct)))
```

You can use the TNS name, `my_tnsname`, in either of the following ways:

- Specify "my_tnsname" for the `dbname` argument in your OCI logon call.
- Specify an empty string for `dbname` and set `TWO_TASK` or `LOCAL` to "my_tnsname".

For example:

```
OCILogon2(envhp, errhp, &svchp,
          (text *)"user1", (ub4)strlen("user1"),
          (text *)"pwd1", (ub4)strlen("pwd1"),
          (text *)"my_tnsname", (ub4)strlen((char*)"my_tnsname"), OCI_DEFAULT);
```

Refer to "Connect, Authorize, and Initialize Functions" in *Oracle Call Interface Programmer's Guide* for details about OCI logon calling sequences.

Or on a UNIX system, for example, you can set `TWO_TASK` to "my_tnsname" and use an OCI logon call with an empty string for `dbname`:

```
OCILogon2(envhp, errhp, &svchp,
          (text *)"user1", (ub4)strlen("user1"),
          (text *)"pwd1", (ub4)strlen("pwd1"),
          (text *)"", (ub4)0, OCI_DEFAULT);
```

Using an easy connect string to connect

TimesTen supports easy connect syntax, which enhances the Instant Client package by allowing connections to be made without configuring `tnsnames.ora`. An easy connect string has syntax similar to a URL, in the following format:

```
[//]host[:port]/service_name:server[/instance]
```

The initial double-slash is optional. A host name must be specified to satisfy easy connect syntax, but is otherwise ignored by TimesTen. The name "localhost" is typically used by convention. Any value specified for the port is also ignored. For client/server connections, the host and port of the TimesTen server are determined from entries in the `sys.ttconnect.ini` file, according to the TimesTen DSN.

Specify the DSN for `service_name`. Specify `timesten_client` or `timesten_direct`, as appropriate, for `server`.

TimesTen ignores the `instance` field and does not require that it be specified.

For example, the following easy connect string connects to a TimesTen server using the client/server libraries. Assume a DSN `ttclient` in the `sys.odbci.ini` file is resolved as a client/server data source and connects to the corresponding host and port specified in the `sys.ttconnect.ini` file:

```
"localhost/ttclient:timesten_client"
```

The following easy connect string is for a direct connection to TimesTen. Assume the DSN `ttdirect` is defined in `sys.odbci.ini`:

```
"localhost/ttdirect:timesten_direct"
```

You can use an easy connect string in either of the following ways:

- Specify it for the `dbname` argument in your OCI logon call.
- Specify an empty string for `dbname` and set `TWO_TASK` or `LOCAL` to the easy connect string, in quotes.

For example:

```
OCILogon2(envhp, errhp, &svchp,
          (text *)"user1", (ub4)strlen("user1"),
          (text *)"pwd1", (ub4)strlen("pwd1"),
          (text *)"localhost/ttclient:timesten_client",
          (ub4)strlen((char*)"localhost/ttclient:timesten_client"), OCI_DEFAULT);
```

Refer to "Connect, Authorize, and Initialize Functions" in *Oracle Call Interface Programmer's Guide* for details about OCI logon calling sequences.

Or on a UNIX system, for example, you can set `TWO_TASK` to `"localhost/ttclient:timesten_client"` and use an OCI logon call with an empty string for `dbname`:

```
OCILogon2(envhp, errhp, &svchp,
          (text *)"user1", (ub4)strlen("user1"),
          (text *)"pwd1", (ub4)strlen("pwd1"),
          (text *)"", (ub4)0, OCI_DEFAULT);
```

Configuring whether to use `tnsnames.ora` or easy connect

If a `sqlnet.ora` file is present, it specifies the naming methods that will be tried and the order in which they will be tried. The Instant Client will look for a `sqlnet.ora` file at the `TNS_ADMIN` location, if applicable. If `TNS_ADMIN` has not been set but `ORACLE_HOME` has been (such as if you had a previous Instant Client installation), the default `sqlnet.ora` location is the Oracle Database default location as noted in "Parameters for the `sqlnet.ora` File" in *Oracle Database Net Services Reference*.

If `sqlnet.ora` is found and does not indicate a particular naming method, you cannot use that method. If `sqlnet.ora` is not found, you can use either method.

In TimesTen, sample copies of `tnsnames.ora` and `sqlnet.ora` are in the `install_dir/network/admin/samples` directory. Here is the `sqlnet.ora` file that TimesTen provides, which supports both `tnsnames` and easy connect ("EZCONNECT"):

```
# To use ezconnect syntax or tnsnames, the following entries must be
# included in the sqlnet.ora configuration.
#
NAMES.DIRECTORY_PATH= (TNSNAMES, EZCONNECT)
```

With this file, TimesTen will first look for `tnsnames` syntax in your OCI logon calls. If it cannot find `tnsnames` syntax, it will look for easy connect syntax.

Connecting as an externally identified user in OCI

You can connect through OCI as an externally identified user (external user) by specifying the user name in brackets, such as "[myadmin]", and the password as an empty string, "".

In particular, this is useful in connecting as the instance administrator, which in TimesTen is always an external user.

Adapting an earlier example:

```
OCILogon2(envhp, errhp, &svchp,
          (text *) "[myadmin]", (ub4)strlen("[myadmin]"),
          (text *) "", (ub4)strlen(""),
          (text *) "my_tnsname", (ub4)strlen((char*)"my_tnsname"), OCI_DEFAULT);
```

This functionality uses OCI proxy syntax. You can refer to the discussion of client access through a proxy in *Oracle Call Interface Programmer's Guide*.

Error reporting

Errors under TimesTen OCI applications return Oracle Database error codes. TimesTen attempts to report the same error code as Oracle Database would under similar conditions. The error messages may come from either the TimesTen catalog or the Oracle Database catalog. Some error messages may indicate the accompanying TimesTen error code if appropriate.

Fatal errors are those that make the database inaccessible until after error recovery. When a fatal error occurs, all database connections are required to disconnect in order to avoid out-of-memory conditions. No further operations may complete. Shared memory from the old TimesTen instance will not be freed until all active connections at the time of the error have disconnected.

Fatal errors in OCI are indicated by the Oracle Database error code ORA-03135 or ORA-00600. Error handling for these errors should be different from standard error handling. In particular, the application error-handling code should have a disconnect from the database.

Signal handling and diagnostic framework considerations

The OCI diagnostic framework installs signal handlers that may impact any signal handling that you use in your application. You can disable OCI signal handling by setting `DIAG_SIGHANDLER_ENABLED=FALSE` in the `sqlnet.ora` file. Refer to "Fault Diagnosability in OCI" in *Oracle Call Interface Programmer's Guide* for information.

OCI demo programs

TimesTen ships OCI demo programs. They are in the `quickstart/sample_code/oci` directory. The README file in the directory explains how to compile and run the demos.

Refer to the Quick Start welcome page at `install_dir/quickstart.html` for information.

Additional features of TimesTen OCI

This section covers the following topics for developers using TimesTen OCI:

- [TimesTen deferred prepare](#)
- [Parameter binding features in TimesTen OCI](#)
- [IMDB Cache with TimesTen OCI](#)
- [LOBs in TimesTen OCI](#)

TimesTen deferred prepare

In OCI, a prepare call is expected to be a lightweight operation performed on the client. To allow TimesTen to be consistent with this expectation, and to avoid unwanted round trips between client and server, the TimesTen client library implementation of `SQLPrepare` performs what is referred to as a *deferred prepare*, where the request is not sent to the server until required. See "[TimesTen deferred prepare](#)" on page 2-10.

Parameter binding features in TimesTen OCI

This section discusses features relating to binding parameters into SQL or PL/SQL from an OCI application:

- [Duplicate parameter bindings in TimesTen OCI](#)
- [Associative array bindings in TimesTen OCI](#)

Duplicate parameter bindings in TimesTen OCI

"[Binding duplicate parameters in SQL statements](#)" on page 2-16 discusses the two supported modes for binding duplicate parameters in a SQL statement, either the Oracle mode or the traditional TimesTen mode. As in that section, consider the following query. Note that in TimesTen OCI, only the Oracle mode is supported.

```
SELECT * FROM employees
WHERE employee_id < :a AND manager_id > :a AND salary < :b;
```

In OCI, as in the Oracle mode in general, two occurrences of parameter `a` are considered to be separate parameters. However, OCI allows both occurrences of `a` to be bound with a single call to `OCIBindByPos()`:

```
OCIBindByPos(..., 1, ...); /* both occurrences of :a */
OCIBindByPos(..., 3, ...); /* occurrence of :b */
```

Alternatively, OCI also allows the two occurrences of `a` to be bound separately:

```
OCIBindByPos(..., 1, ...); /* first occurrence of :a */
OCIBindByPos(..., 2, ...); /* second occurrence of :a */
OCIBindByPos(..., 3, ...); /* occurrence of :b */
```

Note that in both cases, parameter `b` is considered to be in position 3.

Note: OCI also allows parameters to be bound by name, rather than by position, using `OCIBindByName()`.

Associative array bindings in TimesTen OCI

Associative arrays, formerly known as index-by tables or PL/SQL tables, are supported as `IN`, `OUT`, or `IN OUT` bind parameters in TimesTen PL/SQL, such as from an OCI application. This enables arrays of data to be passed efficiently between an application and the database.

An associative array is a set of key-value pairs. In TimesTen, for associative array binding (but not for use of associative arrays only within PL/SQL), the keys, or indexes, must be integers (`BINARY_INTEGER` or `PLS_INTEGER`). The values must be simple scalar values of the same data type. For example, there could be an array of department managers indexed by department numbers. Indexes are stored in sort order, not creation order.

You can declare an associative array type and then an associative array from PL/SQL as in the following example (note the INDEX BY):

```
declare
  TYPE VARCHARARRTYP IS TABLE OF VARCHAR2(30) INDEX BY BINARY_INTEGER;
  x VARCHARARRTYP;
  ...
```

For Pro*C/C++, see "[Associative array bindings in TimesTen Pro*C/C++](#)" on page 4-9.

For related information, see "Using associative array binds from applications" in *Oracle TimesTen In-Memory Database PL/SQL Developer's Guide*.

Notes: Note the following restrictions in TimesTen:

- The following types are not supported in binding associative arrays: LOBs, REF CURSORS, TIMESTAMP, ROWID.
 - Associative array binding is not allowed in passthrough statements.
 - General bulk binding of arrays is not supported in TimesTen OCI. Varrays and nested tables are not supported as bind parameters.
-

TimesTen supports associative array binds in OCI by supporting the `maxarr_len` and `*curelep` parameters of the `OCIBindByName()` and `OCIBindByPos()` functions. These parameters are used to indicate that the binding is for an associative array.

The complete calling sequences for those functions are as follows:

```
sword OCIBindByName ( OCISmt *stmt,
                    OCIBind **bindpp,
                    OCIError *errhp,
                    const OraText *placeholder,
                    sb4 placeh_len,
                    void *valuep,
                    sb4 value_sz,
                    ub2 dtty,
                    void *indp,
                    ub2 *alenp,
                    ub2 *rcodep,
                    ub4 maxarr_len,
                    ub4 *curelep,
                    ub4 mode );
```

```
sword OCIBindByPos ( OCISmt *stmt,
                    OCIBind **bindpp,
                    OCIError *errhp,
                    ub4 position,
                    void *valuep,
                    sb4 value_sz,
                    ub2 dtty,
                    void *indp,
                    ub2 *alenp,
                    ub2 *rcodep,
                    ub4 maxarr_len,
                    ub4 *curelep,
                    ub4 mode );
```

The `maxarr_len` and `*curelep` parameters are used as follows when you bind an associative array. (They should be set to 0 if you are not binding an associative array.)

- `maxarr_len`: This is an input parameter indicating the maximum array length. This is the maximum number of elements that the associative array can accommodate.
- `*curelep`: This is an input/output parameter indicating the current array length. It is a pointer to the actual number of elements in the associative array before and after statement execution.

For additional information about these functions, see "OCIBindByName()" and "OCIBindByPos()" in *Oracle Call Interface Programmer's Guide*.

Note: In TimesTen, the `OCIBindDynamic()` function and the `OCI_DATA_AT_EXEC` mode setting for `OCIBindByName()` and `OCIBindByPos()` are not supported. (In Oracle Database, `OCIBindDynamic()` can be used to register user-defined callback functions to provide or receive data in "at exec" mode to set up additional bind attributes at execution time.)

In [Example 3-1](#), an OCI application binds an integer array and a character array to corresponding OUT associative arrays in a PL/SQL procedure.

Example 3-1 Binding to an associative array from OCI

Assume the following SQL setup.

```
DROP TABLE FOO;

CREATE TABLE FOO (CNUM INTEGER,
                  CVC2 VARCHAR2(20));

INSERT INTO FOO VALUES ( null,
                        'VARCHAR 1');
INSERT INTO FOO VALUES (-102,
                        null);
INSERT INTO FOO VALUES ( 103,
                        'VARCHAR 3');
INSERT INTO FOO VALUES (-104,
                        'VARCHAR 4');
INSERT INTO FOO VALUES ( 105,
                        'VARCHAR 5');
INSERT INTO FOO VALUES ( 106,
                        'VARCHAR 6');
INSERT INTO FOO VALUES ( 107,
                        'VARCHAR 7');
INSERT INTO FOO VALUES ( 108,
                        'VARCHAR 8');

COMMIT;
```

Assume the following PL/SQL package definition. This has the `INTEGER` associative array type `NUMARRTYP` and the `VARCHAR2` associative array type `VCHARRTYP`, used for output associative arrays `c1` and `c2`, respectively, in the definition of procedure `P1`.

```
CREATE OR REPLACE PACKAGE PKG1 AS
  TYPE NUMARRTYP IS TABLE OF INTEGER INDEX BY BINARY_INTEGER;
  TYPE VCHARRTYP IS TABLE OF VARCHAR2(20) INDEX BY BINARY_INTEGER;
```

```

PROCEDURE P1(c1 OUT NUMARRTYP,c2 OUT VCHARRTYP);

END PKG1;
/

CREATE OR REPLACE PACKAGE BODY PKG1 AS

CURSOR CUR1 IS SELECT CNUM, CVC2 FROM FOO;

PROCEDURE P1(c1 OUT NUMARRTYP,c2 OUT VCHARRTYP) IS
BEGIN
  IF NOT CUR1%ISOPEN THEN
    OPEN CUR1;
  END IF;
  FOR i IN 1..8 LOOP
    FETCH CUR1 INTO c1(i), c2(i);
    IF CUR1%NOTFOUND THEN
      CLOSE CUR1;
      EXIT;
    END IF;
  END LOOP;
END P1;

END PKG1;

```

The following OCI program calls `PKG1.P1`, binds arrays to the `P1` output associative arrays, and prints the contents of those associative arrays. Note in particular the `OCIBindByName()` function calls to do the binding.

```

static OCIEnv *envhp;
static OCIServer *srvhp;
static OCISvcCtx *svchp;
static OCIError *errhp;
static OCISession *authp;
static OCISstmt *stmthp;
static OCIBind *bndhp[MAXCOLS];
static OCIBind *dfnhp[MAXCOLS];

STATICF VOID outbnd_1()
{
  int i;
  int num[MAXROWS];
  char* vch[MAXROWS][20];

  unsigned int numcnt = 5;
  unsigned int vchcnt = 5;

  unsigned short alen_num[MAXROWS];
  unsigned short alen_vch[MAXROWS];
  unsigned short rc_num[MAXROWS];
  unsigned short rc_vch[MAXROWS];

  short indp_num[MAXROWS];
  short indp_vch[MAXROWS];

  /* Assume the process is connected and srvhp, svchp, errhp, authp, and stmthp
  are all allocated/initialized/etc. */

  char *sqlstmt = (char *)"BEGIN PKG1.P1(:c1, :c2); END; ";

```



```

for (i = 0; i < MAXROWS; i++)
{
    alen_num[i] = 0;
    alen_vch[i] = 0;
    rc_num[i] = 0;
    rc_vch[i] = 0;
    indp_num[i] = 0;
    indp_vch[i] = 0;
}

DISCARD printf("Running outbnd_1.\n");
DISCARD printf("\n----> %s\n", sqlstmt);
checkerr(errhp, OCISstmtPrepare(stmthp, errhp, sqlstmt,
    (unsigned int)strlen((char *)sqlstmt),
    (unsigned int) OCI_NTV_SYNTAX, (unsigned int) OCI_DEFAULT));

bndhp[0] = 0;
bndhp[1] = 0;

checkerr(errhp, OCIBindByName(stmthp, &bndhp[0], errhp,
    (char *) ":c1", (sb4) strlen((char *) ":c1"),
    (dvoid *) &num[0], (sb4) sizeof(num[0]), SQLT_INT,
    (dvoid *) &indp_num[0], (unsigned short *) &alen_num[0],
    (unsigned short *) &rc_num[0],
    (unsigned int) MAXROWS, (unsigned int *) &numcnt,
    (unsigned int) OCI_DEFAULT));

checkerr(errhp, OCIBindByName(stmthp, &bndhp[1], errhp,
    (char *) ":c2", (sb4) strlen((char *) ":c2"),
    (dvoid *) vch[0], (sb4) sizeof(vch[0]), SQLT_CHR,
    (dvoid *) &indp_vch[0], (unsigned short *) &alen_vch[0],
    (unsigned short *) &rc_vch[0],
    (unsigned int) MAXROWS, (unsigned int *) &vchcnt,
    (unsigned int) OCI_DEFAULT));

DISCARD printf("\nTo execute the PL/SQL statement.\n");

checkerr(errhp, OCISstmtExecute(svchp, stmthp, errhp, (unsigned int) 1,
    (unsigned int) 0, (const OCISnapshot*) 0,
    (OCISnapshot*) 0, (unsigned int) OCI_DEFAULT));

DISCARD printf("\nHere are the results:\n\n");

DISCARD printf("Column 1, INTEGER: \n");
for (i = 0; i < numcnt; i++)
{
    if (indp_num[i] == -1)
        DISCARD printf("-NULL- ");
    else
        DISCARD printf("%5d, ", num[i]);
    DISCARD printf("ind = %d, len = %d, rc = %d\n",
        indp_num[i], alen_num[i], rc_num[i]);
}

DISCARD printf("\nColumn 2, VARCHAR2(20): \n");
for (i = 0; i < vchcnt; i++)
{
    if (indp_vch[i] == -1)
        DISCARD printf("-NULL- ");
    else

```

```

        DISCARD printf("%.s", " ", alen_vch[i], vch[i]);
        DISCARD printf("ind = %d, len = %d, rc = %d\n",
                       indp_vch[i], alen_vch[i], rc_vch[i]);
    }

    DISCARD printf("\nDone\n");
    return;
}

```

Note: The `alen_*` arrays are arrays of lengths; the `rc_*` arrays are arrays of return codes; the `indp_*` arrays are arrays of indicators.

IMDB Cache with TimesTen OCI

This section discusses TimesTen OCI features related using the IMDB Cache:

- [Specifying the Oracle Database password in OCI for IMDB Cache](#)
- [Determining the number of cache groups affected by an action](#)

Specifying the Oracle Database password in OCI for IMDB Cache

To use IMDB Cache, there must be a cache user in the TimesTen database with the same name as an Oracle Database user who can select from and update the cached Oracle Database tables. This Oracle Database user, for example, can be the cache administration user or a schema user. The password of the TimesTen cache user can be different from the password of the Oracle Database user with the same name. See "Setting Up a Caching Infrastructure" in *Oracle In-Memory Database Cache User's Guide* for details.

For use of OCI with the IMDB Cache, TimesTen allows you to pass the Oracle Database user's password through OCI by appending it to the password field in an `OCILogon()` or `OCILogon2()` call when you log in to TimesTen. Use the attribute `OraclePWD` in the connect string, such as in the following example:

```

text *cacheuser = (text *)"cacheuser1";
text *cachepwds = (text *)"ttpwd;OraclePWD=orclpwd";
text *ttdbname = (text *)"tt_tnsname";
....
OCILogon2(envhp, errhp, &svchp,
          (text *)cacheuser, (ub4)strlen(cacheuser),
          (text *)cachepwds, (ub4)strlen(cachepwds),
          (text *)ttdbname, (ub4)strlen(ttdbname), OCI_DEFAULT));

```

You must always specify `OraclePWD`, even if the Oracle Database user's password is the same as the TimesTen user's password.

Note the following for the example:

- The name of the TimesTen cache user, as well as the name of the Oracle Database user who can access the cached Oracle Database tables, is `cacheuser1`.
- The password of the TimesTen cache user is `ttpwd`.
- The password of the Oracle Database user is `orclpwd`.
- The TNS name of the TimesTen database being connected to is `tt_tnsname`.

The Oracle database is specified through the TimesTen `OracleNetServiceName` general connection attribute in the `sys.odbci.ini` or `user odbci.ini` file.

Alternatively, instead of using a TNS name, you could use easy connect syntax or the `TWO_TASK` or `LOCAL` environment variable, as discussed in preceding sections.

Determining the number of cache groups affected by an action

In TimesTen OCI, following the execution of a `FLUSH CACHE GROUP`, `LOAD CACHE GROUP`, `REFRESH CACHE GROUP`, or `UNLOAD CACHE GROUP` statement, the OCI Function `OCIAttrGet()` with the `OCI_ATTR_ROW_COUNT` argument returns the number of cache instances that were flushed, loaded, refreshed, or unloaded.

For related information, see "Determining the number of cache instances affected by an operation" in the *Oracle In-Memory Database Cache User's Guide*.

LOBs in TimesTen OCI

TimesTen supports LOBs (large objects). This includes CLOBs (character LOBs), NCLOBs (national character LOBs), and BLOBs (binary LOBs).

See "[Working with LOBs](#)" on page 2-23. That section is ODBC-oriented but also provides some general overview of LOBs, differences between TimesTen and Oracle Database LOBs, and LOB programming interfaces.

This section focuses on LOB locators, temporary LOBs, and OCI LOB APIs and features.

See "LOB data types" in *Oracle TimesTen In-Memory Database SQL Reference* for additional information about LOBs in TimesTen.

For complete information about LOBs and how to use them in OCI, refer to "LOB and BFILE Operations" in *Oracle Call Interface Programmer's Guide*, keeping in mind that TimesTen does not support BFILEs, SecureFiles, array reads and writes for LOBs, or callback functions for LOBs.

The following topics are covered here for OCI:

- [LOB locators in OCI](#)
- [Temporary LOBs in OCI](#)
- [Differences between TimesTen LOBs and Oracle Database LOBs in OCI](#)
- [Using the LOB simple data interface in OCI](#)
- [Using the LOB locator interface in OCI](#)
- [OCI client-side buffering](#)
- [LOB prefetching in OCI](#)
- [Passthrough LOBs in OCI](#)

Note: The LOB piecewise data interface is not applicable to OCI applications in TimesTen. (You can, however, manipulate LOB data in pieces through features of the LOB locator interface.)

LOB locators in OCI

OCI provides the LOB locator interface, where a LOB consists of a LOB locator and a LOB value. The locator acts as a handle to the value. When an application selects a LOB from the database, it receives a locator. When it updates the LOB, it does so through the locator. And when it passes a LOB as a parameter, it is passing the locator, not the actual value. See "[Using the LOB locator interface in OCI](#)" on page 3-22. (Note

that in OCI it is also possible to use the simple data interface, which does not involve a locator. See ["Using the LOB simple data interface in OCI"](#) on page 3-21.)

To update a LOB, your transaction must have an exclusive lock on the row containing the LOB. You can accomplish this by selecting the LOB with a `SELECT . . . FOR UPDATE` statement. This results in a writable locator. With a simple `SELECT` statement, the locator is read-only. Read-only and writable locators behave as follows:

- A read-only locator is *read consistent*, meaning that throughout its lifetime, it sees only the contents of the LOB as of the time it was selected. Note that this would include any uncommitted updates made to the LOB within the same transaction prior to when the LOB was selected.
- A writable locator is updated with the latest data from the database each time a write is made through the locator. So each write is made to the most current data of the LOB, including updates that have been made through other locators.

The following example details behavior for two writable locators for the same LOB:

1. The LOB column contains "XY".
2. Select locator L1 for update.
3. Select locator L2 for update.
4. Write "Z" through L1 at offset 1.
5. Read through locator L1. This would return "ZY".
6. Read through locator L2. This would return "XY", because L2 remains read-consistent until it is used for a write.
7. Write "W" through L2 at offset 2.
8. Read through locator L2. This would return "ZW". Prior to the write in the preceding step, the locator was updated with the latest data ("ZY").

Temporary LOBs in OCI

A temporary LOB exists only within an application, and in TimesTen OCI has a lifetime no longer than the transaction in which it was created (as is the case with the lifetime of any LOB locator in TimesTen). You can think of a temporary LOB as a scratch area for LOB data.

An OCI application can instantiate a temporary LOB explicitly, for use within the application, through the appropriate API. (See ["Using the LOB locator interface in OCI"](#) on page 3-22.) A temporary LOB may also be created implicitly by TimesTen. For example, if a `SELECT` statement selects a LOB concatenated with an additional string of characters, TimesTen will implicitly create a temporary LOB to contain the concatenated data and an OCI application would receive a locator for the temporary LOB.

Temporary LOBs are stored in the TimesTen temporary data partition.

Differences between TimesTen LOBs and Oracle Database LOBs in OCI

A key difference between the TimesTen LOB implementation and the Oracle Database implementation is that in TimesTen, LOB locators do not remain valid past the end of the transaction. All LOB locators are invalidated after a commit or rollback, whether explicit or implicit. This includes after any DDL statement if TimesTen `DDLCommitBehavior` is set to 0 (the default), for Oracle Database behavior.

Also see ["Differences between TimesTen LOBs and Oracle Database LOBs"](#) on page 2-23.

Using the LOB simple data interface in OCI

The simple data interface enables applications to access LOB data by binding and defining, as with other scalar data types. The application can use a LOB type that is compatible with the corresponding variable type. Use `OCIStmtPrepare()` to prepare a statement. For binding parameters, use `OCIBindByName()` or `OCIBindByPos()`. For defining result columns, use `OCIDefineByPos()`.

For example, an OCI application can bind a CLOB parameter by calling `OCIBindByName()` with a data type of `SQLT_CHR`. Use `OCIStmtExecute()` to execute the statement. For an NCLOB parameter, use data type `SQLT_CHR` and set the OCI `csform` attribute (`OCI_ATTR_CHARSET_FORM`) to `SQLCS_NCHAR`. For a BLOB parameter, you can use data type `SQLT_BIN`.

Use of the simple data interface through OCI is shown in the following examples.

Note: The simple data interface, through `OCIBindByName()`, `OCIBindByPos()`, or `OCIDefineByPos()`, limits bind sizes to 64 KB.

Example 3–2 Example table and variables

For examples that follow, assume the table and variables shown here.

```
person(ssn number, resume clob)

OCIEnv *envhp;
OCIserver *srvhp;
OCISvcCtx *svchp;
OCIError *errhp;
OCIsession *authp;
OCIStmt *stmthp;

/* Bind Handles */
OCIbind *bndp1 = (OCIbind *) NULL;
OCIbind *bndp2 = (OCIbind *) NULL;

/* Define Handles */
OCIdefine *defnp1 = (OCIdefine *) NULL;
OCIdefine *defnp2 = (OCIdefine *) NULL;

#define DATA_SIZE 50
#define PIECE_SIZE 10
#define NPIECE (DATA_SIZE/PIECE_SIZE)

char col2[DATA_SIZE];
char col2Res[DATA_SIZE];
ub2 col2len = DATA_SIZE;
sb4 ssn = 123456;
...

text *ins_stmt = (text *) "INSERT INTO PERSON VALUES (:1, :2)";
text *sel_stmt = (text *) "SELECT * FROM PERSON_1 ORDER BY SSN";
...
```

Example 3–3 Insert LOB data using simple data interface

This example executes an `INSERT` statement using the simple data interface in OCI. It uses the table and variables from the preceding [Example 3–2](#), including the `INSERT` statement defined through the variable `ins_stmt`.

```

for (i=0;i<DATA_SIZE;i++)
    col2[i] = 'A';

/* prepare SQL insert statement */
OCIStmtPrepare (stmthp, errhp, ins_stmt, strlen(ins_stmt), OCI_NTV_SYNTAX,
    OCI_DEFAULT);

/* bind parameters 1 and 2 using OCI_DEFAULT (not data-at-exec) */
OCIBindByPos (stmthp, &bndp1, errhp, 1, (dvoid *) &ssn, sizeof(ssn),
    SQLT_INT, 0, 0, 0, 0, 0, OCI_DEFAULT);
OCIBindByPos (stmthp, &bndp2, errhp, 2, (dvoid *) col2, col2len,
    SQLT_CHR, 0, 0, 0, 0, 0, OCI_DEFAULT);

/* execute insert statement */
OCIStmtExecute (svchp, stmthp, errhp, 1, 0, 0, 0, OCI_DEFAULT);

```

Example 3-4 Select LOB data using simple data interface

This example executes a SELECT statement using the simple data interface in OCI. It uses the table and variables from the earlier [Example 3-2](#), including the SELECT statement defined through the variable `sel_stmt`.

```

/* prepare select statement */
OCIStmtPrepare (stmthp, errhp, sel_stmt, strlen(sel_stmt), OCI_NTV_SYNTAX,
    OCI_DEFAULT);

/* define result columns 1 and 2 using OCI_DEFAULT (not data-at-exec) */
OCIDefineByPos (stmthp, &defnp1, errhp, 1, (dvoid*) &ssn, sizeof(ssn),
    SQLT_INT, 0, 0, 0, OCI_DEFAULT);
OCIDefineByPos (stmthp, &defnp2, errhp, 2, (dvoid *) col2Res, sizeof(col2),
    SQLT_CHR, 0, &col2len, 0, OCI_DEFAULT);

/* execute select statement */
OCIStmtExecute (svchp, stmthp, errhp, (ub4)1, (ub4)0, (OCISnapshot *) NULL,
    (OCISnapshot *) NULL, OCI_DEFAULT);

/* col2Res should now have a DATA_SIZE sized string of 'A's. */

```

Using the LOB locator interface in OCI

You can use the OCI LOB locator interface to work with either a LOB from the database or a temporary LOB, either piece-by-piece or in whole chunks.

In order to use the LOB locator interface, the application must have a valid LOB locator. For a temporary LOB, this is obtained through the `OCILOBCreateTemporary()` call, for explicitly created LOBs, or through a SQL statement that results in implicit creation of a temporary LOB (such as `SELECT c1 || c2 FROM myclob`). For a persistent LOB, use a SQL statement to obtain the LOB locator from the database. (There are examples later in this section.)

Bind types are `SQLT_CLOB` for CLOBs and `SQLT_BLOB` for BLOBs. For NCLOBs, use `SQLT_CLOB` and also set the OCI `csform` attribute (`OCI_ATTR_CHARSET_FORM`) to `SQLCS_NCHAR`.

Refer to "LOB Functions" in *Oracle Call Interface Programmer's Guide* for detailed information and additional examples for OCI LOB functions, noting that TimesTen does not support features specifically intended for BFILEs, SecureFiles, array reads and writes for LOBs, or callback functions for LOBs.

Important: LOB manipulations through APIs that use LOB locators result in usage of TimesTen temporary space. Any significant number of such manipulations may necessitate a size increase for the TimesTen temporary data partition. See "TempSize" in *Oracle TimesTen In-Memory Database Reference*.

Notes:

- If an invalid LOB locator is assigned to another LOB locator using `OCILobLocatorAssign()`, the target of the assignment is also freed and marked as invalid.
 - `OCILobLocatorAssign()` can be used on a temporary LOB, but `OCILobAssign()` cannot.
-
-

Create a temporary LOB in OCI An OCI application can create a temporary LOB by using the `OCILobCreateTemporary()` function, which has an input/output parameter for the LOB locator, after first calling `OCIDescriptorAlloc()` to allocate the locator. When you are finished, use `OCIDescriptorFree()` to free the allocation for the locator and use `OCILobFreeTemporary()` to free the temporary LOB itself.

Important: In TimesTen, creation of a temporary LOB will result in creation of a database transaction if one is not already in progress. To avoid error conditions, you must execute a commit or rollback to close the transaction.

In TimesTen, any duration supported by Oracle Database (`OCI_DURATION_SESSION`, `OCI_DURATION_TRANSACTION`, or `OCI_DURATION_CALL`) is permissible in the `OCILobCreateTemporary()` call; however, in TimesTen the lifetime of the temporary LOB itself will be no longer than the lifetime of the transaction.

Note that the lifetime of a temporary LOB can be shorter than the lifetime of the transaction in the following scenarios:

- If `OCI_DURATION_CALL` is specified
- If the application calls `OCILobFreeTemporary()` on the locator before the end of the transaction
- If the application calls `OCIDurationBegin()` to start a user-specified duration for the temporary LOB, then calls `OCIDurationEnd()` before the end of the transaction

Following are examples of some of the OCI LOB functions mentioned above. For details about the use of temporary LOBs and a complete example, see "Temporary LOB Support" in *Oracle Call Interface Programmer's Guide*.

```
if (OCIDescriptorAlloc((void*)envhp, (void **)&tblob, (ub4)OCI_DTYPE_LOB,
    (size_t)0, (void**)0))
{
    printf("failed in OCIDescriptor Alloc in select_and_createtemp \n");
    return OCI_ERROR;
}
```

...

```

if (OCIlobCreateTemporary(svchp, errhp, tlob, (ub2)0, SQLCS_IMPLICIT,
    OCI_TEMP_BLOB, OCI_ATTR_NOCACHE, OCI_DURATION_TRANSACTION))
{
    (void) printf("FAILED: OCIlobCreateTemporary() \n");
    return OCI_ERROR;
}

...

if(OCIlobFreeTemporary(svchp,errhp,tlob)
{
    printf ("FAILED: OCIlobFreeTemporary() call \n");
    return OCI_ERROR;
}

```

Access the locator of a persistent LOB in OCI An application typically accesses a LOB from the database by using a SQL statement to obtain or access a LOB locator, then passing the locator to an appropriate API function.

A LOB that has been created using the `EMPTY_CLOB()` or `EMPTY_BLOB()` SQL function has a valid locator, which an application can then use to insert data into the LOB by selecting it.

Assume the following table definition:

```
CREATE TABLE clobtable (x NUMBER, y DATE, z VARCHAR2(30), lobcol CLOB);
```

1. Prepare an `INSERT` statement. For example:

```

INSERT INTO clobtable ( x, y, z, lobcol )
VALUES ( 81, sysdate, 'giants', EMPTY_CLOB() )
RETURNING lobcol INTO :a;

```

Or, to initialize the LOB with some data:

```

INSERT INTO clobtable ( x, y, z, lobcol )
VALUES ( 81, sysdate, 'giants', 'The Giants finally won a World Series' )
RETURNING lobcol INTO :a;

```

2. Bind the LOB locator to `:a` as shown.
3. Execute the statement. After execution, the locator will refer to the newly created LOB.

Then the application can use the LOB locator interface to read or write LOB data through the locator.

Alternatively, an application can use a `SELECT` statement to access the locator of an existing LOB.

Example 3–5 Select LOB locator using LOB locator interface

This example uses the following table:

```
person(ssn number, resume clob)
```

It selects the locator for the LOB column in the `PERSON` table.

```

text *ins_stmt = (text *)"INSERT INTO PERSON VALUES (:1, :2)";
text *sel_stmt = (text *)"SELECT * FROM PERSON WHERE SSN = 123456";
text *ins_empty = (text *)"INSERT INTO PERSON VALUES ( 1, EMPTY_CLOB())";

OCIlobLocator *lobp;

```



```

ub4   amtp = DATA_SIZE;
ub4   remainder = DATA_SIZE;
ub4   nbytes = PIECE_SIZE;

/* Allocate lob locator */
OCIDescriptorAlloc (envhp, &lobp, OCI_DTYPE_LOB, 0, 0);

/* Insert an empty locator */
OCIStmtPrepare (stmhp, errhp, ins_empty, strlen(ins_empty), OCI_NTV_SYNTAX,
               OCI_DEFAULT);
OCIStmtExecute (svchp, stmhp, errhp, 1, 0, 0, 0, OCI_DEFAULT);

/* Now select the locator */

OCIStmtPrepare (stmhp, errhp, sel_stmt, strlen(sel_stmt), OCI_NTV_SYNTAX,
               OCI_DEFAULT);

/* Call define for the lob column */
OCIDefineByPos (stmthp, &defnp2, errhp, 1, &lobp, 0, SQLT_CLOB, 0, 0, 0,
               OCI_DEFAULT);

OCIStmtExecute (svchp, stmhp, errhp, 1, 0, 0, 0, OCI_DEFAULT);

```

Read and write LOB data using the OCI LOB locator interface An OCI application can use `OCILOBOpen()` and `OCILOBClose()` to open and close a LOB. If you do not explicitly open and close a LOB, it will be opened implicitly before a read or write and closed implicitly at the end of the transaction.

An application can use `OCILOBRead()` or `OCILOBRead2()` to read LOB data, `OCILOBWrite()` or `OCILOBWrite2()` to write LOB data, `OCILOBWriteAppend()` or `OCILOBWriteAppend2()` to append LOB data, `OCILOBErase()` or `OCILOBErase2()` to erase LOB data, and various other OCI functions to perform a variety of other actions.

For example, consider a CLOB with the content "Hello World!" You can overwrite and append data by calling `OCILOBWrite()` with an offset of 7 to write "I am a new string". This would result in CLOB content being updated to "Hello I am a new string". Or, to erase data from the original "Hello World!" CLOB, you can call `OCILOBErase()` with an offset of 7 and an amount (number of characters) of 5, for example, to update the CLOB to "Hello !" (six spaces).

All the OCI LOB locator interface functions are covered in detail in "LOB Functions" in *Oracle Call Interface Programmer's Guide*.

Notes:

- Oracle Database emphasizes use of the "2" versions of the OCI read and write functions for LOBs (the non-"2" versions are deprecated as of the Oracle Database 11.2 release); however, currently in TimesTen there is no technical advantage in using `OCILOBRead2()`, `OCILOBWrite2()`, and `OCILOBWriteAppend2()`, which are intended for LOBs larger than what TimesTen supports.
- In using any of the LOB read or write functions, be aware that the callback function parameter must be set to `NULL` or `0`, because TimesTen does not support callback functions for LOB manipulation.
- Because TimesTen does not support binding arrays of LOBs, the `OCILOBArrayRead()` and `OCILOBArrayWrite()` functions are not supported.

Example 3–6 Write and read LOB data using LOB locator interface

This example shows how to write LOB data using the OCI LOB function `OCILOBWrite()` and how to read data using `OCILOBRead()`. It uses the table and variables from the preceding [Example 3–5](#).

```
for (i=0;i<DATA_SIZE;i++)
    col2[i] = 'A';

/***** Writing to the LOB *****/

amt = DATA_SIZE;
offset = 1;

/* Write contents of col2 buffer into the LOB in a single chunk via locator lobb */
OCILOBWrite (svchp, errhp, lobb, &amt, offset, col2, DATA_SIZE, OCI_ONE_PIECE,
            0, 0, 0, SQLCS_IMPLICIT);

/***** Reading from the LOB *****/

/* Get the length of the LOB */
OCILOBGetLength (svchp, errhp, lobb, &len);
amt = len;

/* Read the LOB data in col2Res in a single chunk */
OCILOBRead (svchp, errhp, lobb, &amt, offset, col2Res, DATA_SIZE, 0, 0, 0,
            SQLCS_IMPLICIT);
```

OCI client-side buffering

OCI provides a facility for client-side buffering on a per-LOB basis. It is enabled for a LOB by a call to `OCILOBEnableBuffering()` and disabled by a call to `OCILOBDisableBuffering()`.

Enabling buffering for a LOB locator creates a 512 KB write buffer. This size is not configurable. Data written by the application through the LOB locator is buffered. When possible, the client library will satisfy LOB read requests from the buffer as well. An application can flush the buffer by a call to `OCILOBFlushBuffer()`. Note that buffers are not flushed automatically when they become full, and an attempt to write to the LOB through the locator when the buffer is full will result in an error.

The following restrictions apply when you use client-side buffering:

- Buffering is incompatible with the following functions: `OCILOBAppend()`, `OCILOBCopy()`, `OCILOBCopy2()`, `OCILOBErase()`, `OCILOBGetLength()`, `OCILOBTrim()`, `OCILOBWriteAppend()`, and `OCILOBWriteAppend2()`.
- An application can use `OCILOBWrite()` or `OCILOBWrite2()` only to append to the end of a LOB.
- LOB data becomes visible to SQL and PL/SQL (server-side) operations only after the application has flushed the buffer.
- When a LOB is selected while there are unflushed client-side writes in its buffer, the unflushed data is not included in the select.

LOB prefetching in OCI

To reduce round trips to the server in client/server connections, LOB data can be prefetched from the database and cached on the client side during fetch operations. LOB prefetching in OCI has the same functionality in TimesTen as in Oracle Database.

Configure LOB prefetching through the following OCI attributes. Note that size refers to bytes for BLOBs and to characters for CLOBs or NCLOBs.

- `OCI_ATTR_DEFAULT_LOBPREFETCH_SIZE`: Use this to enable prefetching and specify the default prefetch size. A value of 0 (default) disables prefetching.
- `OCI_ATTR_LOBPREFETCH_SIZE`: Set this attribute for a column define handle to specify the prefetch size for the particular LOB column.
- `OCI_ATTR_LOBPREFETCH_LENGTH`: This attribute can be set `TRUE` or `FALSE` (default) to prefetch LOB metadata such as LOB length and chunk size.

The `OCI_ATTR_DEFAULT_LOBPREFETCH_SIZE` and `OCI_ATTR_LOBPREFETCH_LENGTH` settings are independent of each other. You can use LOB data prefetching independently of LOB metadata prefetching.

Refer to "Prefetching of LOB Data, Length, and Chunk Size" in *Oracle Call Interface Programmer's Guide* for more information and an example.

Note: The above attribute settings are ignored for TimesTen direct connections.

Passthrough LOBs in OCI

Passthrough LOBs (LOBs in Oracle Database accessed through TimesTen) are exposed as TimesTen LOBs and are supported by TimesTen in much the same way that any TimesTen LOB is supported, but note the following:

- You cannot use `OCILOBCreateTemporary()` to create a passthrough LOB.
- In addition to copying from one TimesTen LOB to another TimesTen LOB—such as through `OCILOBCopy()`, `OCILOBCopy2()`, or `OCILOBAppend()`—you can copy from a TimesTen LOB to a passthrough LOB, from a passthrough LOB to a TimesTen LOB, or from one passthrough LOB to another passthrough LOB. Any of these copies the LOB value to the target destination. For example, copying a passthrough LOB to a TimesTen LOB copies the LOB value into the TimesTen database.

An attempt to copy a passthrough LOB to a TimesTen LOB when the passthrough LOB is larger than the TimesTen LOB size limit will result in an error.

- TimesTen LOB size limitations do not apply to storage of passthrough LOBs, but do apply to binding. Also, if a passthrough LOB is copied to a TimesTen LOB, the size limit applies to the copy.
- As with TimesTen local LOBs, a locator for a passthrough LOB does not remain valid past the end of the transaction.

Example 3–7 Copying between TimesTen LOBs and passthrough LOBs

The examples here highlight key functionality in copying between TimesTen LOBs and passthrough LOBs on Oracle Database. After the table and data setup, the first example uses `OCILobAppend()` to copy LOB data from Oracle Database to TimesTen and the second example uses `OCILobCopy()` to copy LOB data from TimesTen to Oracle Database. (Either call could be used in either case.) Then, for contrast, the third example uses an `UPDATE` statement to copy LOB data from Oracle Database to TimesTen and the fourth example uses an `INSERT` statement to copy LOB data from TimesTen to Oracle Database.

```

/* Table and data setup */
call ttoptsetflag('passthrough', 3)';
DROP TABLE oratab';
CREATE TABLE oratab (i INT, c CLOB)';
INSERT INTO oratab VALUES (1, 'Copy from Oracle to TimesTen')';
INSERT INTO oratab VALUES (2, EMPTY_CLOB());
COMMIT;

call ttoptsetflag('passthrough', 0)';
DROP TABLE tttab';
CREATE TABLE tttab (i INT, c CLOB)';
INSERT INTO tttab VALUES (1, 'Copy from TimesTen to Oracle')';
INSERT INTO tttab VALUES (2, EMPTY_CLOB());
INSERT INTO tttab VALUES (3, NULL)';
COMMIT;
/* Table and data setup end */

/*
 * Below are four OCI pseudocode examples, for copying LOBs between
 * TimesTen and Oracle using OCI API and INSERT/UPDATE statements.
 */

/* Init OCI Env */

/* Set the passthrough level to 1 */
OCIStmtPrepare (... , "call ttoptsetflag('passthrough', 1)", ...);
OCIStmtExecute (...);

/*
 * 1. Copy a passthrough LOB on Oracle to a TimesTen LOB
 */

/* Select a passthrough locator on Oracle */
OCIStmtPrepare (... , "SELECT c FROM oratab WHERE i = 1", ...);
OCIDefineByPos (... , (dvoid *)&ora_loc_1, 0 , SQLT_CLOB, ...);
OCIStmtExecute (...);

/* Select a locator on TimesTen for update */
OCIStmtPrepare (... , "SELECT c FROM tttab WHERE i = 2 FOR UPDATE", ...);
OCIDefineByPos (... , (dvoid *)&ttt_loc_2, 0 , SQLT_CLOB, ...);
OCIStmtExecute (...);

```

```

/* Copy a passthrough LOB on Oracle to a TimesTen LOB */
OCILobAppend(..., tt_loc_2, ora_loc_1);

/*
 * 2. Copy a TimesTen LOB to a passthrough LOB on Oracle
 */

/* Select a passthrough locator on Oracle for update */
OCIStmtPrepare (..., "SELECT c FROM oratab WHERE i = 2 FOR UPDATE", ...);
OCIDefineByPos (..., (dvoid *)&ora_loc_2, 0 , SQLT_CLOB, ...);
OCIStmtExecute (...);

/* Select a locator on TimesTen */
OCIStmtPrepare (..., "SELECT c FROM tttab WHERE i = 1", ...);
OCIDefineByPos (..., (dvoid *)&tt_loc_1, 0 , SQLT_CLOB, ...);
OCIStmtExecute (...);

/* Copy a passthrough LOB on Oracle to a TimesTen LOB */
OCILobCopy(..., ora_loc_2, tt_loc_1, 28, 1, 1);

/*
 * 3. UPDATE a TimesTen LOB with a passthrough LOB on Oracle
 */

/* A passthrough LOB, (selected above in case 1) is bound to an UPDATE statement
 * on TimesTen table */
OCIStmtPrepare (..., "UPDATE tttab SET c = :1 WHERE i = 3", ...);
OCIBindByPos (..., (dvoid *)&ora_loc_1, 0 , SQLT_CLOB, ...);
OCIStmtExecute (...);

/*
 * 4. INSERT a passthrough table on Oracle with a TimesTen LOB
 */

/* A TimesTen LOB, (selected above in case 2) is bound to an INSERT statement
 * on a passthrough table on Oracle */
OCIStmtPrepare (..., "INSERT INTO oratab VALUES (3, :1)", ...);
OCIBindByPos (..., (dvoid *)&tt_loc_1, 0 , SQLT_CLOB, ...);
OCIStmtExecute (...);

OCITransCommit (...);

/* Cleanup OCI Env */

```

TimesTen OCI support reference

This is a reference section for TimesTen support of OCI features, covering the following areas:

- [Supported OCI calls](#)
- [Supported handles and attributes](#)
- [Supported descriptors](#)
- [Supported SQL data types](#)
- [Supported parameter attributes](#)

Supported OCI calls

Table 3–2 lists TimesTen support for OCI calls that are documented for Oracle Database release 11.2.0.2.

Some groups of calls are represented with an asterisk in the name. For example, the calls related to Advanced Queuing, which TimesTen does not support, have names that start with OCIAQ and are represented in the table as OCIAQ*(). OCI date functions, which TimesTen does support, are designated by OCIDate*().

Table 3–2 TimesTen OCI supported calls

OCI call	Supported	Notes
OCIAQ*()	No	TimesTen does not support Advanced Queuing.
OCIAnyData*()	No	TimesTen does not support Any Data.
OCIAppCtxClearAll()	Yes	
OCIAppCtxSet()	Yes	
OCIArrayDescriptorAlloc()	Yes	
OCIArrayDescriptorFree()	Yes	
OCIAttrGet()	Yes	TimesTen support includes special usage with cache groups. See "IMDB Cache with TimesTen OCI" on page 3-18.
OCIAttrSet()	Yes	
OCIBinXml*()	No	TimesTen does not support XML DB.
OCIBindArrayOfStruct()	Yes	This is supported for SQL statements but not PL/SQL.
OCIBindByName()	Yes	The following are unsupported values for the <i>mode</i> parameter: <ul style="list-style-type: none"> ▪ OCI_DATA_AT_EXEC ▪ OCI_IOV
OCIBindByPos()	Yes	The following are unsupported values for the <i>mode</i> parameter: <ul style="list-style-type: none"> ▪ OCI_DATA_AT_EXEC ▪ OCI_IOV
OCIBindDynamic()	No	
OCIBindObject()	No	TimesTen does not support user-defined objects.
OCIBreak()	No	
OCICache*()	No	TimesTen does not support user-defined objects.
OCICharSetConversionIsReplacementUsed()	Yes	
OCICharSetToUnicode()	Yes	
OCIClientVersion()	Yes	
OCIColl*()	No	TimesTen does not support collections.
OCIConnectionPoolCreate()	No	
OCIConnectionPoolDestroy()	No	

Table 3–2 (Cont.) TimesTen OCI supported calls

OCI call	Supported	Notes
OCIContext* ()	No	TimesTen does not support Data Cartridge.
OCIDBShutdown ()	No	
OCIDBStartup ()	No	
OCIDate* ()	Yes	See Table 3–4 on page 3-37 for information about descriptor support.
OCIDefineArrayOfStruct ()	Yes	This is supported for SQL statements but not PL/SQL.
OCIDefineByPos ()	Yes	The following are unsupported values for the <i>mode</i> parameter: <ul style="list-style-type: none"> ▪ OCI_DATA_AT_EXEC ▪ OCI_IOV
OCIDefineDynamic ()	No	
OCIDefineObject ()	No	
OCIDescribeAny ()	Yes	PL/SQL objects are not supported. Describing objects is supported only by name. The following are unsupported values for the <i>objptr_typ</i> parameter: <ul style="list-style-type: none"> ▪ OCI_OTYPE_REF ▪ OCI_OTYPE_PTR The following are unsupported values for the <i>objtyp</i> parameter: <ul style="list-style-type: none"> ▪ OCI_PTYPE_PKG ▪ OCI_PTYPE_FUNC ▪ OCI_PTYPE_PROC ▪ OCI_PTYPE_SYN ▪ OCI_PTYPE_TYPE When you use the setting <code>OCI_PTYPE_DATABASE</code> for the <i>objtyp</i> parameter, use the predetermined name <code>\$TT_DB_NAME\$</code> as the database name for the <i>*objptr</i> parameter.
OCIDescriptorAlloc ()	Yes	
OCIDescriptorFree ()	Yes	
OCIDirPath* ()	No	TimesTen does not support Direct Path Loading.
OCIDurationBegin ()	Yes	Supported for LOBs. Regardless of the duration setting, the duration cannot exceed the lifetime of the transaction.
OCIDurationEnd ()	Yes	Supported for LOBs. Regardless of the duration setting, the duration cannot exceed the lifetime of the transaction.
OCIDuration* ()	No	TimesTen does not support Data Cartridge.

Table 3–2 (Cont.) TimesTen OCI supported calls

OCI call	Supported	Notes
OCIEnvCreate()	Yes	The following are unsupported values for the <i>mode</i> parameter: <ul style="list-style-type: none"> ▪ OCI_EVENTS ▪ OCI_NEW_LENGTH_SEMANTICS ▪ OCI_NCHAR_LITERAL_REPLACE_ON ▪ OCI_NCHAR_LITERAL_REPLACE_OFF ▪ OCI_NO_MUTEX (Instead use OCI_ENV_NO_MUTEX.)
OCIEnvInit()	Yes	The following are unsupported values for the <i>mode</i> parameter: <ul style="list-style-type: none"> ▪ OCI_NO_MUTEX ▪ OCI_ENV_NO_MUTEX <p>Note: Use OCIEnvCreate() instead of OCIEnvInit(). OCIEnvInit() is supported for backward compatibility.</p>
OCIEnvNlsCreate()	Yes	The following are unsupported values for the <i>mode</i> parameter: <ul style="list-style-type: none"> ▪ OCI_EVENTS ▪ OCI_NCHAR_LITERAL_REPLACE_ON ▪ OCI_NCHAR_LITERAL_REPLACE_OFF ▪ OCI_NO_MUTEX (Instead use OCI_ENV_NO_MUTEX.)
OCIErrorGet()	Yes	
OCIExtProc*()	No	TimesTen does not support Data Cartridge.
OCIExtract*()	No	TimesTen does not support Data Cartridge.
OCIFile*()	No	TimesTen does not support Data Cartridge.
OCIFormatInit()	No	TimesTen does not support Data Cartridge.
OCIFormatString()	No	TimesTen does not support Data Cartridge.
OCIFormatTerm()	No	TimesTen does not support Data Cartridge.
OCIHandleAlloc()	Yes	
OCIHandleFree()	Yes	
OCIInitialize()	Yes	The following are unsupported values for the <i>mode</i> parameter: <ul style="list-style-type: none"> ▪ OCI_NO_MUTEX ▪ OCI_ENV_NO_MUTEX <p>Note: Use OCIEnvCreate() instead of OCIInitialize(). OCIInitialize() is supported for backward compatibility.</p>
OCIInterval*()	Yes	See Table 3–4 on page 3-37 for information about descriptor support.
OCIIter*()	No	TimesTen does not support collections.
OCILdaToSvcCtx()	No	

Table 3–2 (Cont.) TimesTen OCI supported calls

OCI call	Supported	Notes
OCILob* ()	Yes	TimesTen supports OCILob* () functions other than the following: <ul style="list-style-type: none"> ▪ Functions specifically intended for array reads and writes ▪ Functions specifically intended for BFILEs ▪ Functions specifically intended for SecureFiles Notes: <ul style="list-style-type: none"> ▪ Regardless of the duration setting in an OCILobCreateTemporary () call, the LOB lifetime will be no longer than the lifetime of the transaction. ▪ See "Read and write LOB data using the OCI LOB locator interface" on page 3-25 regarding OCILobRead2 (), OCILobWrite2 (), and OCILobWriteAppend2 ().
OCILogout ()	Yes	
OCILogon ()	Yes	
OCILogon2 ()	Yes	OCI_DEFAULT is the only supported value for the <i>mode</i> parameter.
OCIMemory* ()	No	TimesTen does not support Data Cartridge.
OCIMessage* ()	No	TimesTen does not support Data Cartridge.
OCIMultiByte* ()	Yes	
OCINls* ()	Yes	
OCINumber* ()	Yes	
OCIObject* ()	No	TimesTen does not support user-defined objects.
OCIParamGet ()	Yes	
OCIParamSet ()	Yes	
OCIPasswordChange ()	No	
OCIPing ()	Yes	
OCIRaw* ()	Yes	
OCIRef* ()	No	
OCIReset ()	No	
OCIRowidToChar ()	Yes	
OCIServer* ()	Yes	OCI_DEFAULT is the only supported value for the <i>mode</i> parameter of OCIServerAttach.
OCISessionBegin ()	Yes	OCI_CRED_RDBMS is the only supported value for the <i>cred</i> parameter. OCI_DEFAULT is the only supported value for the <i>mode</i> parameter.
OCISessionEnd ()	Yes	

Table 3–2 (Cont.) TimesTen OCI supported calls

OCI call	Supported	Notes
OCISessionGet()	Yes	TimesTen does not support switching between sessions.
OCISessionPoolCreate()	No	
OCISessionPoolDestroy()	No	
OCISessionRelease()	Yes	
OCISharedLibInit()	No	
OCIStmtExecute()	Yes	<p>The following are unsupported values for the <i>mode</i> parameter:</p> <ul style="list-style-type: none"> ■ OCI_BATCH_ERRORS ■ OCI_STMT_SCROLLABLE_READONLY <p>Note: Using OCI_COMMIT_ON_SUCCESS results in improved performance, avoiding an extra round trip to the server to commit a transaction.</p>
OCIStmtFetch()	Yes	
OCIStmtFetch2()	Yes	The only supported values for the <i>orientation</i> parameter are OCI_DEFAULT and OCI_FETCH_NEXT.
OCIStmtGetBindInfo()	Yes	
OCIStmtGetPieceInfo()	No	
OCIStmtPrepare()	Yes	The only supported value for the <i>language</i> parameter is OCI_NTV_SYNTAX.
OCIStmtPrepare2()	Yes	<p>The only supported value for the <i>mode</i> parameter is OCI_DEFAULT.</p> <p>For statement caching, TimesTen supports the <i>key</i> argument to tag a statement for future calls to OCIStmtPrepare2() or OCIStmtRelease().</p>
OCIStmtRelease()	Yes	<p>The only supported value for the <i>mode</i> parameter is OCI_DEFAULT.</p> <p>For statement caching, TimesTen supports the <i>key</i> argument to tag a statement. This can be the key from OCIStmtPrepare2().</p>
OCIStmtSetPieceInfo()	No	
OCIString*()	Yes	
OCISubscription*()	No	TimesTen does not support Advanced Queuing.
OCISvcCtxToLda()	No	
OCITable*()	No	
OCITerminate()	No	
OCIThread*()	Yes	
OCITransCommit()	Yes	The only supported value for the <i>mode</i> parameter is OCI_DEFAULT.
OCITransDetach()	No	
OCITransForget()	No	

Table 3–2 (Cont.) TimesTen OCI supported calls

OCI call	Supported	Notes
OCITransMultiPrepare()	No	
OCITransPrepare()	No	
OCITransRollback()	Yes	
OCITransStart()	No	
OCIType*()	No	
OCIUnicodeToCharSet()	Yes	
OCIUserCallbackGet()	Yes	
OCIUserCallbackRegister()	Yes	
OCIWideChar*()	Yes	
OCIXmlDbFreeXmlCtx()	No	TimesTen does not support XML DB.
OCIXmlDbInitXmlCtx()	No	TimesTen does not support XML DB.

Supported handles and attributes

Table 3–3 lists the handles and attributes that TimesTen OCI supports.

Table 3–3 TimesTen OCI supported handles and attributes

Handle	C object	Supported attributes
Environment	OCIEnv	OCI_ATTR_ENV_CHARSET_ID OCI_ATTR_ENV_NCHARSET_ID OCI_ATTR_ENV_UTF16 OCI_ATTR_EVTCTX OCI_ATTR_OBJECT
Error	OCIError	OCI_ATTR_DML_ROW_OFFSET
Service context	OCISvcCtx	OCI_ATTR_ENV OCI_ATTR_IN_V8_MODE OCI_ATTR_SERVER OCI_ATTR_SESSION OCI_ATTR_TRANS

Table 3–3 (Cont.) TimesTen OCI supported handles and attributes

Handle	C object	Supported attributes
Statement	OCIStmt	OCI_ATTR_BIND_COUNT OCI_ATTR_CURRENT_POSITION OCI_ATTR_ENV OCI_ATTR_FETCH_ROWID OCI_ATTR_NUM_DML_ERRORS OCI_ATTR_PARAM_COUNT OCI_ATTR_PREFETCH_MEMORY OCI_ATTR_PREFETCH_ROWS OCI_ATTR_ROW_COUNT OCI_ATTR_ROWID OCI_ATTR_ROWS_FETCHED OCI_ATTR_SQLFNCODE OCI_ATTR_STATEMENT OCI_ATTR_STMT_TYPE
Bind	OCIBind	OCI_ATTR_CHARSET_FORM OCI_ATTR_CHARSET_ID OCI_ATTR_MAXCHAR_SIZE OCI_ATTR_MAXDATA_SIZE
Define	OCIDefine	OCI_ATTR_CHARSET_FORM OCI_ATTR_CHARSET_ID OCI_ATTR_MAXCHAR_SIZE
Describe	OCIDescribe	OCI_ATTR_PARAM OCI_ATTR_PARAM_COUNT
Server	OCIserver	OCI_ATTR_ENV OCI_ATTR_IN_V8_MODE OCI_ATTR_SERVER_GROUP OCI_ATTR_SERVER_STATUS
User session	OCISession	OCI_ATTR_CLIENT_IDENTIFIER OCI_ATTR_CLIENT_INFO OCI_ATTR_CURRENT_SCHEMA OCI_ATTR_DRIVER_NAME OCI_ATTR_INITIAL_CLIENT_ROLES OCI_ATTR_MODULE OCI_ATTR_PROXY_CREDENTIALS OCI_ATTR_USERNAME
Authentication	OCIAuthInfo	Same as for user session handle
Transaction	OCITrans	OCI_ATTR_TRANS_NAME OCI_ATTR_TRANS_TIMEOUT
Thread	OCIThreadHandle	

Supported descriptors

Table 3–4 lists the descriptors that TimesTen OCI supports.

Table 3–4 TimesTen OCI supported descriptors

Descriptor	C object
Parameter (read-only)	OCIParam
ROWID	OCIRowid
ANSI DATE	OCIDateTime
TIMESTAMP	OCIDateTime
TIMESTAMP WITH TIME ZONE	OCIDateTime
TIMESTAMP WITH LOCAL TIME ZONE	OCIDateTime
INTERVAL YEAR TO MONTH	OCIInterval
INTERVAL DAY TO SECOND	OCIInterval
User callback	OCIUcb

Supported SQL data types

Table 3–5 lists the SQL data types that TimesTen OCI supports.

Table 3–5 TimesTen OCI supported SQL data types

SQL data type	Notes
SQLT_AFC	
SQLT_AVC	
SQLT_BDOUBLE	
SQLT_BFLOAT	
SQLT_BIN	
SQLT_BLOB	
SQLT_CHR	
SQLT_CLOB	To write to or read from an NCLOB, set the character set form (csfrm) parameter to SQLCS_NCHAR for applicable function calls.
SQLT_DAT	
SQLT_DATE	
SQLT_FLT	
SQLT_IBDOUBLE	
SQLT_IBFLOAT	
SQLT_INT	
SQLT_INTERVAL_DS	Not stored in TimesTen.
SQLT_INTERVAL_YM	Not stored in TimesTen.
SQLT_LBI	
SQLT_LNG	
SQLT_LVB	Truncated at 4 MB when stored in TimesTen.
SQLT_LVC	Truncated at 4 MB when stored in TimesTen.

Table 3–5 (Cont.) TimesTen OCI supported SQL data types

SQL data type	Notes
SQLT_NUM	
SQLT_ODT	
SQLT_RDD	Rowids are returned in Oracle Database format.
SQLT_RSET	Only one result set parameter is allowed for each statement.
SQLT_STR	
SQLT_TIME	
SQLT_TIME_TZ	Time zone is ignored when stored in TimesTen.
SQLT_TIMESTAMP	
SQLT_TIMESTAMP_LTZ	Time zone is ignored when stored in TimesTen.
SQLT_TIMESTAMP_TZ	Time zone is ignored when stored in TimesTen.
SQLT_UIN	
SQLT_VBI	
SQLT_VCS	
SQLT_VNU	
SQLT_VST	

Supported parameter attributes

Table 3–6 that follows lists supported parameter attributes.

Table 3–6 TimesTen OCI supported parameter attributes

Parameter	Supported attributes
All parameters	OCI_ATTR_NUM_PARAMS OCI_ATTR_OBJ_NAME OCI_ATTR_OBJ_SCHEMA OCI_ATTR_PTYPE
Table and view parameters	OCI_ATTR_NUM_COLS OCI_ATTR_LIST_COLUMNS
PL/SQL procedure and function parameters	OCI_ATTR_LIST_ARGUMENTS
PL/SQL subprogram parameters	OCI_ATTR_LIST_ARGUMENTS OCI_ATTR_NAME
PL/SQL package parameters	OCI_ATTR_LIST_SUBPROGRAMS
Sequence parameters	OCI_ATTR_OBJID OCI_ATTR_MIN OCI_ATTR_MAX OCI_ATTR_INCR OCI_ATTR_CACHE OCI_ATTR_ORDER OCI_ATTR_HW_MARK

Table 3–6 (Cont.) TimesTen OCI supported parameter attributes

Parameter	Supported attributes
Column parameters	OCI_ATTR_CHAR_USED OCI_ATTR_CHAR_SIZE OCI_ATTR_DATA_SIZE OCI_ATTR_DATA_TYPE OCI_ATTR_NAME OCI_ATTR_PRECISION OCI_ATTR_SCALE OCI_ATTR_IS_NULL OCI_ATTR_TYPE_NAME OCI_ATTR_SCHEMA_NAME OCI_ATTR_CHARSET_ID OCI_ATTR_CHARSET_FORM
Argument and result parameters	OCI_ATTR_NAME OCI_ATTR_POSITION OCI_ATTR_DATA_TYPE OCI_ATTR_DATA_SIZE OCI_ATTR_PRECISION OCI_ATTR_SCALE OCI_ATTR_LEVEL OCI_ATTR_IS_NULL OCI_ATTR_CHARSET_ID OCI_ATTR_CHARSET_FORM
List parameters	OCI_LTYPE_COLUMN OCI_LTYPE_SCH_OBJ OCI_LTYPE_DB_SCH
Database parameters	OCI_ATTR_VERSION OCI_ATTR_CHARSET_ID OCI_ATTR_NCHARSET_ID OCI_ATTR_LIST_SCHEMAS OCI_ATTR_MAX_PROC_LEN OCI_ATTR_MAX_COLUMN_LEN OCI_ATTR_ATTR_CURSOR_COMMIT_BEHAVIOR OCI_ATTR_MAX_CATALOG_NAMELEN OCI_ATTR_CATALOG_LOCATION OCI_ATTR_SAVEPOINT_SUPPORT OCI_ATTR_NOWAIT_SUPPORT OCI_ATTR_AUTOCOMMIT_DDL OCI_ATTR_LOCKING_MODE

TimesTen Support for Pro*C/C++

TimesTen and Oracle IMDB Cache support the Oracle Pro*C/C++ Precompiler for C and C++ applications. You can use the precompiler with embedded SQL and PL/SQL applications that access the TimesTen database.

This chapter provides an overview and TimesTen-specific information regarding Pro*C/C++, especially emphasizing differences between using Pro*C/C++ with TimesTen versus with Oracle Database. For complete information about Pro*C/C++, you can refer to *Pro*C/C++ Programmer's Guide* in the Oracle Database library.

Also note that [Chapter 2, "Working with TimesTen Databases in ODBC"](#), contains information that may be of general interest regarding TimesTen features.

This chapter includes the following topics:

- [Overview of the Oracle Pro*C/C++ Precompiler](#)
- [Overview of TimesTen support for Pro*C/C++](#)
- [Getting started with TimesTen Pro*C/C++](#)
- [Additional features of TimesTen Pro*C/C++](#)
- [TimesTen Pro*C/C++ Precompiler options](#)

Overview of the Oracle Pro*C/C++ Precompiler

The Oracle Pro*C/C++ Precompiler enables you to embed SQL statements or PL/SQL blocks directly into C or C++ code. Further, you can use your C or C++ program host variables in your embedded SQL or PL/SQL.

You use a precompilation step to convert the Pro*C/C++ source file into a C or C++ source file. The precompiler accepts the Pro*C/C++ file as input, translates embedded SQL statements into standard Oracle Database runtime library calls, and generates a modified source code file that you can then compile and link. Pro*C/C++ code is linked against the Oracle precompiler `SQLLIB` library, which is shipped with TimesTen as part of the Oracle Instant Client.

Overview of TimesTen support for Pro*C/C++

TimesTen support for the Oracle Pro*C/C++ Precompiler depends on TimesTen OCI. TimesTen OCI depends on the Oracle client library and the TimesTen ODBC libraries. See [Figure 3-1](#) on page 3-3 to see where OCI and Pro*C/C++ fit in the TimesTen architecture.

This chapter contains information specific to using the Oracle Pro*C/C++ Precompiler with TimesTen. The syntax and usage of the Oracle Pro*C/C++ Precompiler with TimesTen is essentially the same as with Oracle Database.

The rest of this section includes the following topics.

- [TimesTen OCI support](#)
- [Embedded SQL support and restrictions](#)
- [Semantic checking restrictions](#)
- [Embedded PL/SQL restrictions](#)
- [Transaction restrictions](#)
- [Connection restrictions](#)
- [Summary of unsupported or restricted executable commands and clauses](#)
- [The ttSrcScan utility](#)

TimesTen OCI support

Because TimesTen support of the Oracle Pro*C/C++ Precompiler depends on TimesTen OCI support, restrictions for TimesTen OCI apply to Pro*C/C++ applications.

In addition, TimesTen does not support OCI calls that are related to functionality that does not exist in TimesTen.

For more information about TimesTen OCI support, see [Chapter 3, "TimesTen Support for OCI."](#) Much of the information there may apply to Pro*C/C++ applications as well.

Embedded SQL support and restrictions

The TimesTen Pro*C/C++ Precompiler does not support embedded SQL for functionality that TimesTen and IMDB Cache do not support. See ["TimesTen restrictions and differences"](#) on page 3-5.

TimesTen provides the following support for `SQLLIB` functions:

- `SQLErrorGetText (sqlglmt)` is supported.
- `SQLRowidGet ()` is supported following only `SELECT FOR UPDATE` statements.

In addition, TimesTen support for the Oracle Pro*C/C++ Precompiler has the following restrictions:

- `REGISTER CONNECT` is not supported.
- Stored Java subprograms are not supported.

Semantic checking restrictions

TimesTen support for the Oracle Pro*C/C++ Precompiler does not provide semantic checking during precompilation. A `SQLCHECK` precompiler option setting that specifies semantic checking is permissible but has no effect.

It is important to be aware, however, that a setting of `SEMANTICS` results in a database connection even though precompilation semantic checking is not performed. Therefore, a setting of `SEMANTICS` requires the following during precompilation:

- The database must be running.

- The USERID precompiler option must be set, either on the command line or in the `pcscfg.cfg` configuration file. You must provide the user name and password for an existing TimesTen user, and a TNS name that points to the database. In the following example, you will be prompted for the password:

```
USERID=user1@my_tnsname
```

Alternatively, you can enter `USERID=user1/mypassword@my_tnsname`, but for security reasons it is not advisable to specify a password on a command line or in a configuration file.

See "[Connecting to a TimesTen database from Pro*C/C++](#)" on page 4-6 for information about usage and syntax for TNS names.

See the next section, "[Embedded PL/SQL restrictions](#)", for related information about Pro*C/C++ programs that use PL/SQL.

Embedded PL/SQL restrictions

In TimesTen, if a Pro*C/C++ application contains PL/SQL blocks, then Pro*C/C++ acts as though the `SQLCHECK` setting is `SEMANTICS`. It is important to be aware that this results in a database connection even though precompilation semantic checking is not performed. Therefore, using PL/SQL in a Pro*C/C++ application requires the following during precompilation:

- The database must be running.
- The USERID precompiler option must be set, specifying an existing TimesTen user. See the preceding section, "[Semantic checking restrictions](#)", for details about setting this option.

Transaction restrictions

Regarding transactions, TimesTen support for the Oracle Pro*C/C++ Precompiler does not provide the following:

- `SAVEPOINT` SQL statement
- `SET TRANSACTION` SQL statement

You can still have transactions with `commit` and `rollback`, just not the `SET TRANSACTION` SQL statement.

- Fetch across commits
- Distributed transactions

Connection restrictions

Regarding connections, TimesTen support for the Oracle Pro*C/C++ Precompiler does not provide the following:

- `ALTER AUTHORIZATION` clause
- Automatic connections to the database
- Making connections to the database with `SYSDBA` or `SYSOPER` privilege, given that these privileges do not exist in TimesTen
- Implicit connections (`dblinks`) to a TimesTen or Oracle Database

For information about supported connection syntax, see "[Connecting to a TimesTen database from Pro*C/C++](#)" on page 4-6.

Summary of unsupported or restricted executable commands and clauses

Given restrictions including those noted in the preceding sections, this section summarizes the Pro*C/C++ EXEC SQL executable commands, categories of commands, and command clauses that TimesTen does not support or supports only partially:

- ALTER AUTHORIZATION
- CACHE FREE ALL
- CALL

This is supported only for calling PL/SQL. To call TimesTen built-in procedures, use dynamic SQL statements.

- Any "COLLECTION..." command
- COMMIT FORCE 'some text'
- COMMIT WORK COMMENT 'some text' RELEASE

The COMMENT clause is not supported.

- CONNECT BY
- CONTEXT OBJECT OPTION GET
- CONTEXT OBJECT OPTION SET
- DECLARE CURSOR

The WITH HOLD clause is not supported.

- DECLARE TABLE

Only Oracle Database data types are supported.

- DECLARE TYPE
- EXPLAIN PLAN
- IN SYSDBA MODE
- IN SYSOPER MODE
- LOCK TABLE
- Any "OBJECT..." command

- PARTITION
- REGISTER CONNECT
- RETURN
- RETURNING
- SAVEPOINT
- SET DESCRIPTOR

You cannot set CHARACTER_SET_NAME.

- SET TRANSACTION
- START WITH
- TO SAVEPOINT

The ttSrcScan utility

If you have an existing Pro*C/C++ program and want to see whether it uses Pro*C/C++ features that TimesTen does not support, you can use the `ttSrcScan` command line utility to scan your program for unsupported embedded SQL functions and types. This is a standalone utility that can be run without TimesTen or Oracle Database being installed and runs on any platform supported by TimesTen. It reads source code files as input and creates HTML and text files as output. If the utility finds unsupported items, they are logged and alternatives are suggested. You can find the `ttSrcScan` executable in the `quickstart/sample_util` directory in your TimesTen installation.

Specify an input file or directory for the program to be scanned and an output directory for the `ttSrcScan` reports. Other options are available as well. See the README file in the `sample_util` directory for information.

Getting started with TimesTen Pro*C/C++

This section covers the following topics for getting started with a Pro*C/C++ application for TimesTen:

- [Environment and configuration for TimesTen Pro*C/C++](#)
- [Building a Pro*C/C++ application](#)
- [Connecting to a TimesTen database from Pro*C/C++](#)
- [Error reporting and handling](#)
- [Pro*C/C++ demo programs](#)

Environment and configuration for TimesTen Pro*C/C++

The Pro*C/C++ system configuration file `pcscfg.cfg` contains the precompiler options for precompilation of your Pro*C/C++ source code. In TimesTen, you must use the version of this file that TimesTen provides. This will typically happen automatically if you ensure appropriate configuration for TimesTen by executing the TimesTen `ttenv` script. Also see "[Environment variables for TimesTen OCI](#)" on page 3-7 and "[Setting the environment for development](#)" on page 1-1.

Note: To ensure proper generation of OCI and Pro*C/C++ programs to be run on TimesTen, do not set `ORACLE_HOME` (or unset it if it was set previously) for OCI and Pro*C/C++ compilations.

Building a Pro*C/C++ application

Before building a Pro*C/C++ application, you must set up your environment:

1. You can use the TimesTen OCI and Pro*C/C++ Makefiles provided with the Quick Start demos to implement appropriate environment settings. These are in the following locations (assuming the standard Quick Start location):

```
install_dir/quickstart/sample_code/oci/
install_dir/quickstart/sample_code/proc/
```

2. Confirm `LD_LIBRARY_PATH` or `PATH` is set so that the Oracle Instant Client directory precedes the Oracle Database libraries in the path. The path will be set properly if you use the `install_dir/bin/ttenv` script or `quickstart/ttquickstartenv`

script. See "Environment variables" in *Oracle TimesTen In-Memory Database Installation Guide* for information about environment variables and `ttenv`.

Then use steps such as the following to build a Pro*C/C++ application. The steps shown here present a basic example for a UNIX system and assume the program has no other includes (`#include`) or links to other libraries. The designation `instant_client` represents the directory where Oracle Instant Client is installed.

See the Quick Start Pro*C/C++ Makefile in the `quickstart/sample_code/proc` directory for complete, platform-specific examples.

1. Precompile the Pro*C/C++ source file by using the `proc` command from your system prompt. For example:

```
% proc iname=sample.pc
```

The `proc` utility takes a `.pc` source file as input and produces a `.c` file.

2. Compile the resulting C code file. On Linux platforms, enter a command similar to the following:

```
% gcc -c sample.c -I(instant_client)/sdk/
```

3. Link the resulting object modules with modules in `SQLLIB`. For example:

```
% gcc -o sample sample.o -L(instant_client)/lib -lclntsh
```

Connecting to a TimesTen database from Pro*C/C++

This section provides information on connecting to TimesTen from a Pro*C/C++ application. Also see "[Connecting to a TimesTen database from OCI](#)" on page 3-9 for information about using the `tnsnames` naming method or easy connect naming method to connect to the database.

The following topics are covered here:

- [Connection syntax and parameters](#)
- [Using tnsnames or easy connect](#)
- [Specifying the Oracle Database password in Pro*C/C++ for IMDB Cache](#)
- [Connecting as an externally identified user in Pro*C/C++](#)

Note: A TimesTen connection cannot be inherited from a parent process. If a process opens a database connection before creating (forking) a child process, the child must not use the connection. In Pro*C/C++, to avoid having a child process inadvertently inherit a connection from its parent, use `EXEC SQL COMMIT RELEASE` in the parent before creating the child.

Connection syntax and parameters

TimesTen supports the following connection syntax:

```
EXEC SQL CONNECT{:user IDENTIFIED BY :pwd | :user_string}
  [[AT{dbname | :host_variable)]USING :connect_string];
```

The parameters are described in [Table 4-1](#).

Table 4–1 Connection parameters

Parameter	Description
<code>user</code>	User name
<code>pwd</code>	Password
<code>user_string</code>	Alternative to separate <code>user</code> and <code>pwd</code> entries This is a user name and password separated by a slash, such as <code>user1/pwd1</code> . After an "@" sign, you can also have a database identifier, instead of using <code>dbname</code> , or a TNS name or easy connect string, instead of using <code>connect_string</code> . See examples in the next section, " Using tnsnames or easy connect ".
<code>dbname</code>	Database identifier declared in a previous <code>DECLARE DATABASE</code> statement
<code>host_variable</code>	Variable whose value is a database identifier
<code>connect_string</code>	Valid TNS name or easy connect string for a TimesTen database

Using tnsnames or easy connect

Your `EXEC SQL CONNECT` syntax can be simplified if you use the Oracle `tnsnames` or `easy connect` method.

From Pro*C/C++, you can use a host variable to specify the user name, password, and a TNS name. For example:

```
EXEC SQL CONNECT :dbstring
```

Where `dbstring` is set to `"user1/pwd1@my_tnsname"`.

Alternatively, the host variable could specify the user name, password, and an easy connect string. For example, `dbstring` could be set to `"user1/pwd1@localhost/ttclient:timesten_client"`.

Or, if the `TWO_TASK` or `LOCAL` environment variable, as applicable for your operating system, is set to `"my_tnsname"` or `"localhost/ttclient:timesten_client"`, you could connect as in the following example:

```
EXEC SQL CONNECT :user1 IDENTIFIED BY :pwd1
```

Specifying the Oracle Database password in Pro*C/C++ for IMDB Cache

To use IMDB Cache, there must be a cache user in the TimesTen database with the same name as an Oracle Database user who can select from and update the cached Oracle Database tables. This Oracle Database user, for example, can be the cache administration user or a schema user. The password of the TimesTen cache user can be different from the password of the Oracle Database user with the same name. See "Setting Up a Caching Infrastructure" in *Oracle In-Memory Database Cache User's Guide* for details.

For use of Pro*C/C++ with IMDB Cache, TimesTen allows you to pass the Oracle Database user's password through Pro*C/C++ by appending it to the password field in an `EXEC SQL CONNECT` call when you log in to TimesTen. Use the attribute `OraclePWD` in the connect string, such as in the following example:

```
text *cacheuser = (text *)"cacheuser1";
text *cachepwds = (text *)"ttpwd;OraclePWD=orclpwd";
text *dbname = (text *)"tt_tnsname";
....
EXEC SQL CONNECT :cacheuser IDENTIFIED BY :cachepwds AT :dbname
```

You must always specify `OraclePWD`, even if the Oracle Database user's password is the same as the TimesTen user's password. Furthermore, in the circumstance of specifying an Oracle Database password for IMDB Cache, you must use a form of `EXEC SQL CONNECT` that specifies the password as a separate host variable. In this example, `cacheuser1` is the name of the TimesTen cache user as well as the name of the Oracle Database user who can access the cached Oracle Database tables, `ttpwd` is the password of the TimesTen cache user, `orclpwd` is the password of the Oracle Database user, and `tt_tnsname` is the TNS name of the TimesTen database being connected to. The Oracle database is specified through the TimesTen `OracleNetServiceName` general connection attribute in the `sys.odbci.ini` or `user odbci.ini` file.

Alternatively, instead of using the `AT` clause with a TNS name, you could use the `TWO_TASK` or `LOCAL` environment variable, as discussed in "[Connecting to a TimesTen database from OCI](#)" on page 3-9.

Connecting as an externally identified user in Pro*C/C++

You can connect through Pro*C/C++ as an externally identified user (external user) by specifying the user name in brackets, such as "[myadmin]", and the password as an empty string, "".

In particular, this is useful in connecting as the instance administrator, which in TimesTen is always an external user.

Consider the following example.

```
text *instanceadmin = (text *) "[myadmin]";
text *instanceadminpwd = (text *) "";
text *dbname = (text *) "tt_tnsname";
....
EXEC SQL CONNECT :instanceadmin IDENTIFIED BY :instanceadminpwd AT :dbname
```

This functionality uses OCI proxy syntax. You can refer to the discussion of client access through a proxy in *Oracle Call Interface Programmer's Guide*.

Error reporting and handling

Be aware of the following regarding error conditions and error reporting:

- Errors under TimesTen Pro*C/C++ applications return Oracle Database error codes. TimesTen attempts to report the same error code as Oracle Database would under similar conditions. The error messages may come from either the TimesTen catalog or the Oracle Database catalog. Some error messages may indicate the accompanying TimesTen error code if appropriate. Pro*C/C++ applications that rely on parsing error codes should be checked.
- TimesTen supports the `WHENEVER SQLERROR` directive, to go to an error handler if an error occurs, and the `WHENEVER NOT FOUND` directive, to go to a handling section if a "no data found" condition occurs. TimesTen does *not* support the `WHENEVER SQLWARNING` directive.

Examples:

```
EXEC SQL WHENEVER NOT FOUND GOTO close_cursor;
...
EXEC SQL WHENEVER SQLERROR GOTO error_handler;
```


Pro*C/C++ demo programs

TimesTen ships Pro*C/C++ demo programs. They are in the `quickstart/sample_code/proc` directory. The README file in the directory explains how to compile and run the demos.

Refer to the Quick Start welcome page at `install_dir/quickstart.html` for information.

Additional features of TimesTen Pro*C/C++

This section covers additional features you can use with Pro*C/C++ in TimesTen:

- [Associative array bindings in TimesTen Pro*C/C++](#)
- [LOBs in TimesTen Pro*C/C++](#)

Associative array bindings in TimesTen Pro*C/C++

As discussed in "[Associative array bindings in TimesTen OCI](#)" on page 3-13, associative arrays, formerly known as index-by tables or PL/SQL tables, are supported as IN, OUT, or IN OUT bind parameters in TimesTen PL/SQL. See that section for additional information and limitations.

You can pass associative arrays between PL/SQL blocks and Pro*C/C++ applications as well as OCI applications. They can be indexed by a PL/SQL variable of type `BINARY_INTEGER` or `PLS_INTEGER`.

Normally, the entire host array is passed to PL/SQL, but you can use the Pro*C/C++ `ARRAYLEN` statement to specify a smaller array dimension.

For more information, refer to "PL/SQL Tables", "Host Arrays", and "ARRAYLEN Statement" under "Embedded PL/SQL" in *Pro*C/C++ Programmer's Guide*.

Example 4-1 Binding to an associative array from Pro*C/C++

This code excerpt shows the array `salary[]` being bound from Pro*C/C++ into the associative array `num_tab` in PL/SQL.

```
...
float salary[100];
/* populate the host array */
EXEC SQL EXECUTE
  DECLARE
    TYPE NumTabTyp IS TABLE OF REAL
                      INDEX BY BINARY_INTEGER;
    median_salary REAL;
    n BINARY_INTEGER;
  ...
  FUNCTION median (num_tab NumTabTyp, n INTEGER)
    RETURN REAL IS
  BEGIN
    -- compute median
  END;
  BEGIN
    n := 100;
    median_salary := median(:salary, n);
    ...
  END;
END-EXEC;
...
```

LOBs in TimesTen Pro*C/C++

TimesTen supports LOBs (large objects). This includes CLOBs (character LOBs), NCLOBs (national character LOBs), and BLOBs (binary LOBs).

See "[Working with LOBs](#)" on page 2-23. That section is ODBC-oriented but also provides a general overview of LOBs, differences between TimesTen and Oracle Database LOBs, and LOB programming interfaces. Also see "[LOBs in TimesTen OCI](#)" on page 3-19 for information about LOB locators, temporary LOBs, using the simple data interface or LOB locator interface in OCI, and additional OCI LOB features.

This section focuses on key Pro*C/C++ LOB features and TimesTen-specific support and restrictions.

See "LOB data types" in *Oracle TimesTen In-Memory Database SQL Reference* for additional information about LOBs in TimesTen.

For complete information about LOBs and how to use them in Pro*C/C++, refer to "LOBs" in *Pro*C/C++ Programmer's Guide*, keeping in mind that TimesTen does not support BFILES, SecureFiles, array reads and writes for LOBs, or callback functions for LOBs. In particular, see "How to Use LOBs in Your Program" within that chapter.

The following topics are covered for Pro*C/C++:

- [Using the LOB simple data interface in Pro*C/C++](#)
- [Using the LOB locator interface in Pro*C/C++](#)

Important: As indicated in the OCI chapter, in TimesTen a LOB used in an application does not remain valid past the end of the transaction.

Note: The LOB piecewise data interface is not applicable to OCI or Pro*C/C++ applications in TimesTen. (You can, however, manipulate LOB data in pieces through features of the LOB locator interface.)

Using the LOB simple data interface in Pro*C/C++

The simple data interface enables applications to manipulate LOB data similarly to how they would manipulate other types of scalar data, such as by using EXEC SQL INSERT and EXEC SQL SELECT. The application can use a LOB type that is compatible with the corresponding variable type.

An application can use the EMPTY_BLOB() or EMPTY_CLOB() function, as appropriate, to initialize a persistent LOB. This is similar to using ALLOCATE in the LOB locator interface, discussed next. Consider the following tables:

```
EXEC SQL CREATE TABLE lob_table ( a_blob BLOB, a_clob CLOB );
...
EXEC SQL INSERT INTO lob_table (a_blob, a_clob)
      VALUES (EMPTY_BLOB(), EMPTY_CLOB());
...
EXEC SQL CREATE TABLE data_table
      ( name VARCHAR2(30), length NUMBER(10), bincol BLOB, charcol CLOB );
```

The following selects LOB data from data_table into myblob and myclob, then inserts the LOB data into lob_table.

```
...
OCIBlobLocator *myblob;
```

```

OCIClobLocator *myclob;
...
EXEC SQL SELECT bincol, charcol INTO :myblob, :myclob FROM data_table
        WHERE name = :key;
...
// Put data into lob_table.
...
EXEC SQL INSERT INTO lob_table (a_blob, a_clob) VALUES (:myblob, :myclob);

```

To use an NCLOB, declare the variable as follows:

```
OCIClobLocator CHARACTER SET IS NCHAR_CS *mynclob;
```

Note: The simple data interface, through OCI or Pro*C/C++, limits bind sizes to 64 KB.

Using the LOB locator interface in Pro*C/C++

You can use the Pro*C/C++ LOB locator interface to work with either LOBs from the database or temporary LOBs, either piece-by-piece or in whole chunks.

Refer to "LOB Statements" in *Pro*C/C++ Programmer's Guide* for detailed information about Pro*C/C++ statements for LOBs, noting that TimesTen does not support features specifically intended for BFILES, SecureFiles, array reads and writes for LOBs, or callback functions for LOBs.

Refer to the `lobdemo1.pc` example in "LOBs" in *Pro*C/C++ Programmer's Guide* for an end-to-end example.

Also see ["Using the LOB locator interface in OCI"](#) on page 3-22 for related information and usage notes.

Note: If Pro*C/C++ syntax does not provide enough functionality to fully specify what you want to accomplish for any operation, you can use the corresponding OCI function as an alternative.

Create a temporary LOB in Pro*C/C++ A Pro*C/C++ application can create a temporary LOB by using the `CREATE TEMPORARY` embedded SQL feature, after first using the `ALLOCATE` feature to allocate the locator. Use `FREE` to free the allocation for the locator and `FREE TEMPORARY` to free the temporary LOB itself. This is shown below.

Also see ["Create a temporary LOB in OCI"](#) on page 3-23.

Important: In TimesTen, creation of a temporary LOB will result in creation of a database transaction if one is not already in progress. To avoid error conditions, you must execute a commit or rollback to close the transaction.

```

OCIClobLocator *tempclob;
EXEC SQL ALLOCATE :tempclob;
EXEC SQL LOB CREATE TEMPORARY :tempclob;
...
// (Manipulate LOB as desired.)
...
EXEC SQL FREE TEMPORARY :tempclob;

```

```
EXEC SQL FREE :templob;
```

Alternatively, if you want to specify the LOB character set (here NCHAR), you can use the corresponding OCI function:

```
status = OCILobCreateTemporary(svc, err, templob, OCI_DEFAULT, SQLCS_NCHAR,
                               OCI_TEMP_CLOB, TRUE, OCI_DURATION_TRANSACTION);
```

Access the locator of a persistent LOB in Pro*C/C++ An application typically accesses a LOB from the database by using a SQL statement to obtain a LOB locator, then passing the locator to an appropriate API function.

Also see "[Access the locator of a persistent LOB in OCI](#)" on page 3-24.

The following excerpts are from the previously mentioned `lobdemo1.pc` example in *Pro*C/C++ Programmer's Guide*. The example uses a CLOB `license_txt` and table `license_table` whose columns are social security number, name, and text summarizing driving offenses (a CLOB column).

```
OCIClobLocator *license_txt;
...
EXEC SQL ALLOCATE :license_txt;
...
EXEC SQL SELECT name, txt_summary INTO :name, :license_txt FROM license_table
           WHERE sss = :sss;
```

Read and write LOB data using the Pro*C/C++ LOB locator interface A Pro*C/C++ application can use `LOB OPEN` and `LOB CLOSE` to open and close a LOB, `LOB READ` to read LOB data, `LOB WRITE` or `LOB WRITE APPEND` to write or append LOB data, `LOB DESCRIBE` to obtain information about a LOB, and various other Pro*C/C++ features to perform a variety of other actions. All the Pro*C/C++ LOB locator interface features are covered in detail in "LOBs" in *Pro*C/C++ Programmer's Guide*.

To write data, use `LOB WRITE ONE` to write the data in a single chunk. TimesTen does not support `LOB WRITE FIRST`, `LOB WRITE NEXT`, or `LOB WRITE LAST` (features of the piecewise data interface).

Also see "[Read and write LOB data using the OCI LOB locator interface](#)" on page 3-25.

Here is an example of an `EXEC SQL LOB READ` statement:

```
EXEC SQL LOB READ :amt FROM :blob INTO :buffer;
```

Refer to "Read a File, WRITE a BLOB Example" in "LOBs" in *Pro*C/C++ Programmer's Guide* for additional information.

Here is an example of an `EXEC SQL LOB WRITE` statement (writing the LOB data in one chunk):

```
EXEC SQL LOB WRITE ONE :amt FROM :buffer INTO :blob;
```

Refer to "READ a BLOB, Write a File Example" in "LOBs" in *Pro*C/C++ Programmer's Guide* for additional information.

Here is an example of an `EXEC SQL LOB WRITE APPEND` statement:

```
EXEC SQL LOB WRITE APPEND :amt FROM :writebuf INTO :blob;
```

Note: Opening a LOB is similar conceptually, but not technically, to opening a file. Opening a LOB is more like a hint regarding resources to be required.

Be aware that a LOB being accessed by `OCILobRead()`, `OCILobWrite()`, or equivalent functionality is opened automatically as necessary.

Example 4–2 Write a LOB using Pro*C/C++ LOB locator interface

The following excerpt is from the previously mentioned `lobdemo1.pc` example in *Pro*C/C++ Programmer's Guide*.

```
...
OCIClobLocator *a_clob;
char *charbuf;
ub4 ClobLen, WriteAmt;
int CharLen = strlen(charbuf);
int NewCharbufLen = CharLen + DATELENGTH + 4;
varchar *NewCharbuf;
NewCharbuf = (varchar *)malloc(2 + NewCharbufLen);
NewCharbuf->arr[0] = '\n';
NewCharbuf->arr[1] = '\0';
strcat((char *)NewCharbuf->arr, charbuf);
NewCharbuf->arr[CharLen + 1] = '\0';
strcat((char *)NewCharbuf->arr, curdate);
NewCharbuf->len = NewCharbufLen;
EXEC SQL LOB DESCRIBE :a_clob GET LENGTH INTO :ClobLen;
WriteAmt = NewCharbufLen;
EXEC SQL LOB WRITE ONE :WriteAmt FROM :NewCharbuf WITH LENGTH :NewCharbufLen
        INTO :a_clob;
...
```

Example 4–3 Write and append to a LOB using Pro*C/C++ LOB locator interface

This example, like the preceding one, uses `LOB WRITE ONE`. Then it also uses `LOB WRITE APPEND` to append additional data. It writes or appends to the BLOB in 1 K chunks up to `MAX_CHUNKS`.

```
...
EXEC SQL select b into :blob from t where pk = 1 for update;
EXEC SQL LOB OPEN :blob READ WRITE;

// Write/append to the BLOB
for (i = 0; i < MAX_CHUNKS; i++) {
    if (i==0) { // FIRST CHUNK
        /*
        Write the first piece
        */
        EXEC SQL LOB WRITE ONE :amt FROM :writebuf INTO :blob;

    }
    else { // All Other Chunks
        /*
        At this point, APPEND all the next pieces
        */
        EXEC SQL LOB WRITE APPEND :amt FROM :writebuf INTO :blob ;
    }
}
...
}
```

TimesTen Pro*C/C++ Precompiler options

This section discusses Pro*C/C++ Precompiler option support by TimesTen.

Precompiler option support

Table 4–2 describes TimesTen Pro*C/C++ Precompiler option support.

Table 4–2 TimesTen Pro*C/C++ Precompiler option support

Option	Notes
AUTO_CONNECT	Supported value: NO (default)
CHAR_MAP	Supported
CINCR	Not applicable Setting has no effect because TimesTen supports only CPOOL=NO.
CLOSE_ON_COMMIT	Supported value: YES The Oracle Database default value of NO is overridden by TimesTen.
CMAX	Not applicable Setting has no effect because TimesTen supports only CPOOL=NO.
CMIN	Not applicable Setting has no effect because TimesTen supports only CPOOL=NO.
CNOWAIT	Not applicable Setting has no effect because TimesTen supports only CPOOL=NO.
CODE	Supported
COMP_CHARSET	Supported
CONFIG	Supported
CPOOL	Supported value: NO (default)
CPP_SUFFIX	Supported
CTIMEOUT	Not applicable Setting has no effect because TimesTen supports only CPOOL=NO.
DB2_ARRAY	Supported
DBMS	Supported value: NATIVE (default)
DEF_SQLCODE	Supported
DEFINE	Supported
DURATION	Not applicable Setting has no effect because TimesTen does not support objects.
DYNAMIC	Supported
ERRORS	Supported
ERRTYPE	Not supported
EVENTS	Not applicable Both values allowed, but TimesTen OCI does not support Advanced Queuing.
FIPS	Supported

Table 4–2 (Cont.) TimesTen Pro*C/C++ Precompiler option support

Option	Notes
HEADER	Supported
HOLD_CURSOR	Supported
IMPLICIT_SVPT	Supported value: NO (default)
INAME	Supported
INCLUDE	Supported
INTYPE	Supported
LINES	Supported
LNAME	Supported
LTYPE	Supported
MAX_ROW_INSERT	Supported
MAXLITERAL	Supported
MAXOPENCURSORS	Supported
MODE	Supported
NATIVE_TYPES	Supported
NLS_CHAR	Supported
NLS_LOCAL	Supported value: NO (default)
OBJECTS	Not applicable Setting has no effect because TimesTen does not support objects.
ONAME	Supported
ORACA	Supported
OUTLINE	Not applicable All values are allowed, but TimesTen does not support Oracle Database optimization.
OUTLNPREFIX	Not applicable Both values are allowed, but TimesTen does not support Oracle Database optimization.
PAGELEN	Supported
PARSE	Supported
PREFETCH	Supported
RELEASE_CURSOR	Supported
RUNOUTLINE	Not applicable Both values (yes no) are allowed but ignored.
SELECT_ERROR	Supported

Table 4–2 (Cont.) TimesTen Pro*C/C++ Precompiler option support

Option	Notes
SQLCHECK	Not applicable Any of the SQLCHECK settings is allowed, but TimesTen does not support semantic checking during precompilation. Whenever a Pro*C/C++ application uses PL/SQL, Pro*C/C++ acts as though the SQLCHECK setting is SEMANTICS. Important: A setting of SEMANTICS (or FULL, which is synonymous) always results in a connection to the database, even though precompilation semantic checking is not performed. See " Semantic checking restrictions " on page 4-2.
STMT_CACHE	Supported
SYS_INCLUDE	Supported
THREADS	Supported
TYPE_CODE	Supported
UNSAFE_NULL	Supported
USERID	Supported
UTF16_CHARSET	Supported value: NCHAR_CHARSET
VARCHAR	Supported
VERSION	Not applicable Setting has no effect because TimesTen does not support objects.

Note: TimesTen does not support the default value for CLOSE_ON_COMMIT. TimesTen supports only CLOSE_ON_COMMIT=YES.

Setting precompiler options

You can set precompiler options in the following ways.

- At compile time, either in the configuration file `pcscfg.cfg` or on the Pro*C/C++ command line

A setting on the command line takes precedence over a setting in the configuration file.

- At runtime through the EXEC ORACLE OPTION command

A runtime setting takes precedence over a compile-time setting.

For example, the following shows portions of the configuration file that ships with TimesTen.

```
ltype=short
parse=full
close_on_commit=yes
...
```

The following command line would override the `ltype=short` setting from the configuration file:

```
% proc ltype=long ... iname=sample.pc
```


The following runtime command would override the `ltype=long` setting from the command line:

```
EXEC ORACLE OPTION LTYPE=NONE;
```

XLA and TimesTen Event Management

The Transaction Log API (XLA) is a set of C language functions that enable you to implement applications to perform the following:

- Monitor TimesTen for changes to specified tables in a local database.
- Receive real-time notification of these changes.

The primary purpose of XLA is as a high-performance, asynchronous alternative to triggers.

Note: In the unlikely event that TimesTen replication solutions described in *Oracle TimesTen In-Memory Database Replication Guide* do not meet your needs, it is possible to use XLA functions to build a custom data replication solution.

This chapter includes the following topics:

- [XLA concepts](#)
- [Writing an XLA event-handler application](#)
- [Using XLA as a replication mechanism](#)
- [Other XLA features](#)

For a complete description of each XLA function, see [Chapter 9, "XLA Reference"](#).

XLA concepts

This section includes the following topics:

- [XLA basics](#)
- [How XLA reads records from the transaction log](#)
- [About XLA and materialized views](#)
- [About XLA bookmarks](#)
- [About XLA data types](#)
- [Access control impact on XLA](#)
- [XLA limitations](#)
- [XLA demo](#)

XLA functions mentioned here are documented in [Chapter 9, "XLA Reference"](#).

XLA basics

TimesTen XLA obtains update records directly from the transaction log buffer or transaction log files, so the records are available for as long as they are needed. The logging model also enables multiple readers to simultaneously read transaction log updates.

The `ttXlaPersistOpen` XLA function opens a connection to the database.

When initially created, TimesTen configures a transaction log handle for the same version as the TimesTen release to which the application is linked. You can also use the `ttXlaGetVersion` and `ttXlaSetVersion` XLA functions to interoperate with earlier XLA versions.

How XLA reads records from the transaction log

As applications modify a database, TimesTen generates transaction log records that describe the changes made to the data and other events such as transaction commits.

New transaction log records are always written to the end of the log buffer as they are generated.

Transaction log records are periodically flushed in batches from the log buffer in memory to transaction log files on disk. When XLA is initialized, the XLA application does not have to be concerned with which portions of the transaction log are on disk or in memory. Therefore, the term "transaction log" as used in this chapter refers to the "virtual" source of transaction update records, regardless of whether those records are physically located in memory or on disk.

Applications can use XLA to monitor the transaction log for changes to the database. XLA reads through the transaction log, filters the log records, and delivers to XLA applications a list of transaction records that contain the changes to the tables and columns of interest.

XLA sorts the records into discrete transactions. If multiple applications are updating the database simultaneously, transaction log records from the different applications will be interleaved in the transaction log.

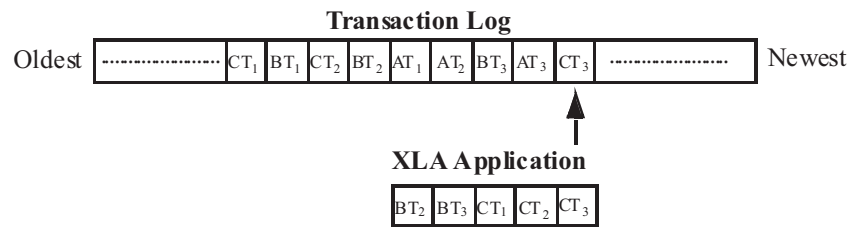
XLA transparently extracts all transaction log records associated with a particular transaction and delivers them in a contiguous list to the application.

Only the records for committed transactions are returned. They are returned in the order in which their final commit record appears in the transaction log. XLA filters out records associated with changes to the database that have not yet been committed.

If a change is made but then rolled back, XLA does not deliver the records for the aborted transaction to the application.

Most of these basic XLA concepts are demonstrated in [Example 5-1](#) that follows and summarized in the bulleted list following the example.

Consider the example transaction log illustrated in [Figure 5-1](#).

Figure 5-1 Records extracted from the transaction log**Example 5-1 Reading transaction log records**

In this example, the transaction log contains the following records:

- CT1 - Application C updates row 1 of table W with value 7.7.
- BT1 - Application B updates row 3 of table X with value 2.
- CT2 - Application C updates row 9 of table W with value 5.6.
- BT2 - Application B updates row 2 of table Y with value "XYZ".
- AT1 - Application A updates row 1 of table Z with value 3.
- AT2 - Application A updates row 3 of table Z with value 4.
- BT3 - Application B commits its transaction.
- AT3 - Application A rolls back its transaction.
- CT3 - Application C commits its transaction.

An XLA application that is set up to detect changes to tables W, Y, and Z would see the following:

- BT2 and BT3 - Update row 2 of table Y with value "XYZ" and commit.
- CT1 - Update row 1 of table W with value 7.7.
- CT2 and CT3 - Update row 9 of table W with value 5.6 and commit.

This example demonstrates the following:

- Transaction records of applications B and C all appear together.
- Although the records for application C begin to appear in the transaction log before those for application B, the commit for application B (BT3) appears in the transaction log before the commit for application C (CT3). As a result, the records for application B are returned to the XLA application ahead of those for application C.
- The application B update to table X (BT1) is not presented because XLA is not set up to detect changes to table X.
- The application A updates to table Z (AT1 and AT2) are never presented because it did not commit and was rolled back (AT3).

About XLA and materialized views

You can use XLA to track changes to both tables and materialized views. A materialized view provides a single source from which you can track changes to selected rows and columns in multiple detail tables. Without a materialized view, the XLA application would have to monitor and filter the update records from all of the detail tables, including records reflecting updates to rows and columns of no interest to the application.

In general, there are no operational differences between the XLA mechanisms used to track changes to a table or a materialized view. However, for asynchronous materialized views, be aware that the order of XLA notifications for an asynchronous

materialized view is not necessarily the same as it would be for the associated detail tables, or the same as it would be for a synchronous materialized view. For example, if there are two inserts to a detail table, they may be done in the opposite order in the asynchronous materialized view. Furthermore, an update to a detail table of a materialized view may be reported by XLA as a delete followed by an insert. Also, multiple operations, such as multiple inserts or multiple deletes, may be combined into a single operation. Applications that depend on precise ordering should not use asynchronous materialized views.

For more information about materialized views, see the following:

- "CREATE MATERIALIZED VIEW" in *Oracle TimesTen In-Memory Database SQL Reference*
- "Understanding materialized views" in *Oracle TimesTen In-Memory Database Operations Guide*

About XLA bookmarks

Each XLA reader uses a bookmark to maintain its position in the log update stream. Each bookmark consists of two pointers that track update records in the transaction log by using *log record identifiers*:

- An Initial Read log record identifier points to the most recently acknowledged transaction log record. Initial Read log record identifiers are stored in the database, so they are persistent across database connections, shutdowns, and failures.
- A Current Read log record identifier points to the record currently being read from the transaction log.

The rest of this section covers the following:

- [Creating or reusing a bookmark](#)
- [How bookmarks work](#)
- [Replicated bookmarks](#)
- [XLA bookmarks and transaction log holds](#)

Creating or reusing a bookmark

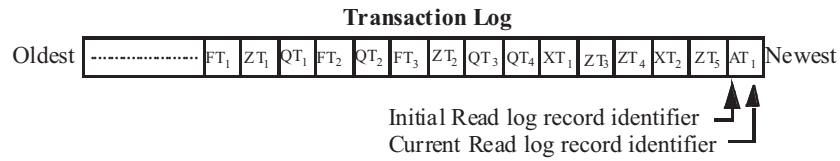
As described in ["Initializing XLA and obtaining an XLA handle"](#) on page 5-11, when you call the `ttXlaPersistOpen` function to initialize an XLA handle, you have a *tag* parameter to identify either a new bookmark or one that exists in the system, and an *options* parameter to specify whether it is a new non-replicated bookmark, a new replicated bookmark, or an existing (reused) bookmark. At this time, the Initial Read log record identifier associated with the bookmark is read from the database and cached in the XLA handle (`ttXlaHandle_h`). It designates the start position of the reader in the transaction log.

See "ttLogHolds" in *Oracle TimesTen In-Memory Database Reference* for related information. That TimesTen built-in procedure returns information about transaction log holds.

How bookmarks work

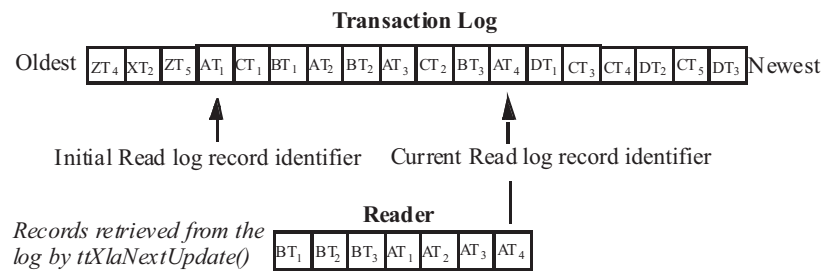
When an application first initializes XLA and obtains an XLA handle, its Current Read log record identifier and Initial Read log record identifier both point to the last record written to the database, as shown in [Figure 5-2](#) that follows.

Figure 5-2 Log record indicator positions upon initializing an XLA handle



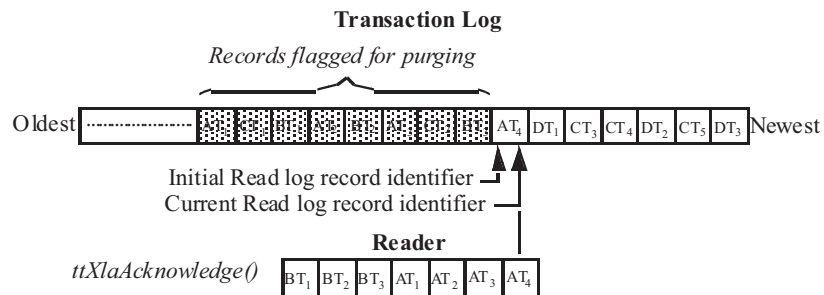
As described in "Retrieving update records from the transaction log" on page 5-13, use the `ttXlaNextUpdate` or `ttXlaNextUpdateWait` function to return a batch of records for committed transactions from the transaction log in the order in which they were committed. Each call to `ttXlaNextUpdate` resets the Current Read log record identifier of the bookmark to the last record read, as shown in Figure 5-3. The Current Read log record identifier marks the start position for the next call to `ttXlaNextUpdate`.

Figure 5-3 Records retrieved by ttXlaNextUpdate



You can use the `ttXlaGetLSN` and `ttXlaSetLSN` functions to reread records, as described in "Changing the location of a bookmark" on page 5-39. However, calling the `ttXlaAcknowledge` function permanently resets the Initial Read log record identifier of the bookmark to its Current Read log record identifier, as shown in Figure 5-4. After you have called the `ttXlaAcknowledge` function to reset the Initial Read log record identifier, all previously read transaction records are flagged for purging by TimesTen. Once the Initial Read log record identifier is reset, you cannot use `ttXlaSetLSN` to go back and reread any of the previously read transactions.

Figure 5-4 ttXlaAcknowledge resets bookmark



Note: A `ttXlaAcknowledge` call will reset the bookmark even if there are no relevant update records to acknowledge. This may be useful in managing transaction log space, but should be balanced against the expense of the operation. Be aware that XLA purges transaction logs a file at a time. Refer to "ttXlaAcknowledge" on page 9-6 for details on how the operation works.

The number of bookmarks created in a database is limited to 64. Each bookmark can be associated with only one active connection at a time. However, a bookmark over its lifetime may be associated with many connections. An application can open a connection, create a new bookmark, associate the bookmark with the connection, read a few records using the bookmark, disconnect from the database, reconnect to the database, create a new connection, associate this new connection with the bookmark, and continue reading transaction log records from where the old connection stopped.

Replicated bookmarks

If you are using an active standby pair replication scheme, you have the option of using *replicated bookmarks* according to the *options* settings in your `ttXlaPersistOpen` calls. For a replicated bookmark, operations on the bookmark are replicated to the standby database as appropriate. This results in more efficient recovery of your bookmark positions in the event of failover. Reading resumes from the stream of XLA records close to the point at which they left off before the switchover to the new active store. Without replicated bookmarks, reading must go through numerous duplicate records that were returned on the old active store.

You can only read and acknowledge a replicated bookmark in the active database. Each time you acknowledge a replicated bookmark, the acknowledge operation is asynchronously replicated to the standby database.

Be aware of the following usage notes:

- The position of the bookmark in the standby database will be very close to that of the bookmark in the active database; however, because the replication of acknowledge operations is asynchronous, you may see a small window of duplicate updates in the event of a failover, depending on how often acknowledge operations are performed.
- It is recommended that you close and reopen all bookmarks on a database after it changes from standby to active status, using the `ttXlaClose` and `ttXlaPersistOpen` functions. The state of a replicated bookmark on a standby database does change during normal XLA processing, as the replication agent automatically repositions bookmarks as appropriate on standby databases. If you attempt to use a bookmark that was open before the database changed to active status, you will receive an error indicating that the state of the bookmark was reset and that it has been repositioned. While it is permissible to continue reading from the repositioned bookmark in this scenario, you can avoid the error by closing and reopening bookmarks.
- If replicated bookmarks exist at the time you enable the active standby pair scheme, the bookmarks will automatically be added to the replication scheme.
- It is permissible to drop the active standby pair scheme while replicated bookmarks exist. The bookmarks will cease to be replicated at that point.
- You cannot delete replicated bookmarks as long as the replication agent is running.

XLA bookmarks and transaction log holds

You should be aware that when XLA is in use, there is a hold on TimesTen transaction log files until the XLA bookmark advances. The hold prevents transaction log files from being purged until XLA can confirm it no longer needs them. If a bookmark becomes stuck, which can occur if an XLA application terminates unexpectedly or disconnects without first deleting its bookmark or disabling change tracking, the log hold will persist and there may be an excessive accumulation of transaction log files. This accumulation may result in disk space being filled.

For information about monitoring and addressing this situation, see "Monitoring accumulation of transaction log files" in *Oracle TimesTen In-Memory Database Operations Guide*.

About XLA data types

Table 5–1 shows the data type mapping between internal SQL data types and XLA data types before release 7.0 and since release 7.0. For more information about TimesTen data types, see "Data Types" in *Oracle TimesTen In-Memory Database SQL Reference*.

Table 5–1 XLA data type mapping

Internal SQL data type	XLA data type before Release 7.0	XLA data type since Release 7.0
TT_CHAR	SQL_CHAR	TTXLA_CHAR_TT
TT_VARCHAR	SQL_VARCHAR	TTXLA_VARCHAR_TT
TT_NCHAR	SQL_WCHAR	TTXLA_NCHAR_TT
TT_NVARCHAR	SQL_WVARCHAR	TTXLA_NVARCHAR_TT
CHAR	-	TTXLA_CHAR
NCHAR	-	TTXLA_NCHAR
VARCHAR2	-	TTXLA_VARCHAR
NVARCHAR2	-	TTXLA_NVARCHAR
TT_TINYINT	SQL_TINYINT	TTXLA_TINYINT
TT_SMALLINT	SQL_SMALLINT	TTXLA_SMALLINT
TT_INTEGER	SQL_INTEGER	TTXLA_INTEGER
TT_BIGINT	SQL_BIGINT	TTXLA_BIGINT
BINARY_FLOAT	SQL_REAL	TTXLA_BINARY_FLOAT
BINARY_DOUBLE	SQL_DOUBLE	TTXLA_BINARY_DOUBLE
TT_DECIMAL	SQL_DECIMAL	TTXLA_DECIMAL_TT
NUMBER	-	TTXLA_NUMBER
NUMBER(<i>p</i> , <i>s</i>)	-	TTXLA_NUMBER
FLOAT	-	TTXLA_NUMBER
TT_TIME	SQL_TIME	TTXLA_TIME
TT_DATE	SQL_DATE	TTXLA_DATE_TT
TT_TIMESTAMP	SQL_TIMESTAMP	TTXLA_TIMESTAMP_TT
DATE	-	TTXLA_DATE
TIMESTAMP	-	TTXLA_TIMESTAMP
TT_BINARY	SQL_BINARY	TTXLA_BINARY
TT_VARBINARY	SQL_VARBINARY	TTXLA_VARBINARY
ROWID	-	TTXLA_ROWID
BLOB	-	TTXLA_BLOB
CLOB	-	TTXLA_CLOB
NCLOB	-	TTXLA_NCLOB

XLA offers functions to convert between internal SQL data types and external programmatic data types. For example, you can use `ttXlaNumberToCString` to convert NUMBER columns to character strings. TimesTen provides the following XLA data type conversion functions:

- `ttXlaDateToODBCType`
- `ttXlaDecimalToCString`
- `ttXlaNumberToCString`
- `ttXlaNumberToDouble`
- `ttXlaNumberToBigInt`
- `ttXlaNumberToInt`
- `ttXlaNumberToSmallInt`
- `ttXlaNumberToTinyInt`
- `ttXlaNumberToUInt`
- `ttXlaOraDateToODBCTimeStamp`
- `ttXlaOraTimeStampToODBCTimeStamp`
- `ttXlaRowidToCString`
- `ttXlaTimeToODBCType`
- `ttXlaTimeStampToODBCType`

Access control impact on XLA

"[Considering TimesTen features for access control](#)" on page 2-33 provides a brief overview of how TimesTen access control affects operations in the database. Access control impacts XLA as follows:

- Any XLA functionality, such as the following, requires the system privilege XLA:
 - Connecting to TimesTen (which also requires the CREATE SESSION privilege) as an XLA reader, such as by the `ttXlaPersistOpen` C function
 - Executing any other XLA-related TimesTen C functions, documented in [Chapter 9, "XLA Reference"](#)
 - Executing any XLA-related TimesTen built-in procedures
 - The procedures `ttXlaBookmarkCreate`, `ttXlaBookmarkDelete`, `ttXlaSubscribe`, and `ttXlaUnsubscribe` are documented in "Built-In Procedures" in *Oracle TimesTen In-Memory Database Reference*.
- A user with the XLA privilege has capabilities equivalent to the SELECT ANY TABLE, SELECT ANY VIEW, and SELECT ANY SEQUENCE system privileges, and can capture DDL statement records that occur in the database. Note that as a result, the user can obtain information about database objects that he or she has not otherwise been granted access to.

XLA limitations

Be aware of the following limitations when you use TimesTen XLA:

- XLA is available on all platforms supported by TimesTen. However, XLA does not support data transfer between different platforms or between 32-bit and 64-bit versions of the same platform.

- XLA support for LOBs is limited. See ["Specifying which tables to monitor for updates"](#) on page 5-11 for information.
- XLA does not support applications linked with a driver manager library or the client/server library.
- An XLA reader cannot subscribe to a table that uses in-memory columnar compression.
- For autorefresh cache groups, the change-tracking trigger on Oracle does not have column-level resolution. (To have that would be very expensive.) Therefore the autorefresh feature will update all the columns in the row, and XLA can only report that all the columns have changed, even if data did not actually change in all columns.

XLA demo

TimesTen provides the `xlaSimple` demo showing how to use many of the XLA functions described in this chapter. It is located in the `quickstart/sample_code/odbc/xla` directory:

See ["About the TimesTen C demos"](#) on page 1-5 for an overview of TimesTen demo programs for C developers. Refer to `install_dir/quickstart.html` for details. The README file in the `odbc` directory contains instructions for building and running `xlaSimple`, among others.

Most of this chapter, including the sample code shown in ["Writing an XLA event-handler application"](#) starting immediately below, is based on the `xlaSimple` demo. For this demo, a table `MYDATA` has been created in the `APPUSER` schema. While you are logged in as `APPUSER`, you will be making updates to the table. While you are logged in as `XLAUSER`, the `xlaSimple` demo reports on the updates.

To run the demo, execute `xlaSimple` at one command prompt. You will be prompted for the password of `XLAUSER`, which is specified when the sample database is created. Start `ttIsq1` at a separate command prompt, connecting to the TimesTen sample database as `APPUSER`. Again, you will be prompted for a password that is specified when the sample database is created.

At the `ttIsq1` command prompt you can enter DML statements to alter the table. Then you can view the XLA output in the `xlaSimple` window.

Writing an XLA event-handler application

This section describes the general procedures for writing an XLA application that detects and reports changes to selected tables in a database. With the possible exception of ["Inspecting column data"](#) on page 5-17, the procedures described in this section are applicable to most XLA applications.

The following procedures are described:

- [Obtaining a database connection handle](#)
- [Initializing XLA and obtaining an XLA handle](#)
- [Specifying which tables to monitor for updates](#)
- [Retrieving update records from the transaction log](#)
- [Inspecting record headers and locating row addresses](#)
- [Inspecting column data](#)

- [Handling XLA errors](#)
- [Dropping a table that has an XLA bookmark](#)
- [Deleting bookmarks](#)
- [Terminating an XLA application](#)

The example code in this section is based on the `xlaSimple` demo application.

XLA functions mentioned here are documented in [Chapter 9, "XLA Reference"](#).

Important: In addition to files noted in "[TimesTen include files](#)" on page 2-7, an XLA application must include `tt_xla.h`.

Note: To simplify the code examples, routine error checking code for each function call has been omitted. See "[Handling XLA errors](#)" on page 5-28 for information on error handling.

Obtaining a database connection handle

As with every ODBC application, an XLA application must initialize ODBC, obtain an environment handle (`henv`), and obtain a connection handle (`hdbc`) to communicate with the specific database.

Initialize the environment and connection handles:

```
SQLHENV henv = SQL_NULL_HENV;
SQLHDBC hdbc = SQL_NULL_HDBC;
```

Pass the address of `henv` to the `SQLAllocEnv` ODBC function to allocate an environment handle:

```
rc = SQLAllocEnv(&henv);
```

Pass the address of `hdbc` to the `SQLAllocConnect` ODBC function to allocate a connection handle for the database:

```
rc = SQLAllocConnect(henv, &hdbc);
```

Call the `SQLDriverConnect` ODBC function to connect to the database specified by the connection string (`connStr`), which in this example is passed from the command line:

```
static char connstr[CONN_STR_LEN];
...
rc = SQLDriverConnect(hdbc, NULL, (SQLCHAR*)connstr, SQL_NTS, NULL, 0,
                    NULL, SQL_DRIVER_COMPLETE);
```

Note: After an ODBC connection handle is opened for use by an XLA application, the ODBC handle cannot be used for ODBC operations until the corresponding XLA handle is closed by calling [ttXlaClose](#).

Call the `SQLSetConnectOption` ODBC function to turn autocommit off:

```
rc = SQLSetConnectOption(hdbc, SQL_AUTOCOMMIT, SQL_AUTOCOMMIT_OFF);
```

Initializing XLA and obtaining an XLA handle

After initializing ODBC and obtaining an environment and connection handle as described in the preceding section, "[Obtaining a database connection handle](#)", you can initialize XLA and obtain an XLA handle to access the transaction log. Create only one XLA handle per ODBC connection. If your application uses multiple XLA reader threads (each connected to its own XLA bookmark), create a separate XLA handle and ODBC connection for each thread.

This section describes how to initialize XLA.

Before initializing XLA, initialize a bookmark. Then initialize an XLA handle as type `ttXlaHandle_h`:

```
unsigned char bookmarkName [32];
...
strcpy((char*)bookmarkName, "xlaSimple");
...
ttXlaHandle_h xla_handle = NULL;
```

Pass `bookmarkName` and the address of `xla_handle` to the `ttXlaPersistOpen` function to obtain an XLA handle:

```
rc = ttXlaPersistOpen(hdbc, bookmarkName, XLACREAT, &xla_handle);
```

The `XLACREAT` option is used to create a new non-replicated bookmark. Alternatively, use the `XLAREPL` option to create a replicated bookmark. In either case, the operation will fail if the bookmark already exists.

To use a bookmark that already exists, call `ttXlaPersistOpen` with the `XLAREUSE` option, as shown in the following example.

```
#include <tt_errCode.h>          /* TimesTen Native Error codes */
...
if ( native_error == 907 ) { /* tt_ErrKeyExists */
    rc = ttXlaPersistOpen(hdbc, bookmarkName, XLAREUSE, &xla_handle);
    ...
}
```

If `ttXlaPersistOpen` is given invalid parameters, or the application was unable to allocate memory for the handle, the return code will be `SQL_INVALID_HANDLE`. In this situation, `ttXlaError` cannot be used to detect this or any further errors.

If `ttXlaPersistOpen` fails but still creates a handle, the handle must be closed to prevent memory leaks.

Specifying which tables to monitor for updates

After initializing XLA and obtaining an XLA handle as described in the preceding section, "[Initializing XLA and obtaining an XLA handle](#)", you can specify which tables or materialized views you want to monitor for update events.

You can determine which tables a bookmark is subscribed to by querying the `SYS.XLASUBSCRIPTIONS` table. You can also use `SYS.XLASUBSCRIPTIONS` to determine which bookmarks have subscribed to a specific table.

The `ttXlaNextUpdate` and `ttXlaNextUpdateWait` functions retrieve XLA records associated with DDL events. DDL XLA records are available to any XLA bookmark. DDL events include `CREATAB`, `DROPTAB`, `CREAIND`, `DROPIND`, `CREATVIEW`, `DROPVIEW`, `CREATSEQ`, `DROPSEQ`, `CREATSYN`, `DROPSYN`, `ADDCOLS`, `DRPCOLS`, and `TRUNCATE` transactions. See "[ttXlaUpdateDesc_t](#)" on page 9-65 for information about these event types.

The `ttXlaTableStatus` function subscribes the current bookmark to updates to the specified table. Or it determines whether the current bookmark is already monitoring DML records associated with the table.

Call the `ttXlaTableByName` function to obtain both the system and user identifiers for a named table or materialized view. Then call the `ttXlaTableStatus` function to enable XLA to monitor changes to the table or materialized view.

Note: LOB support in XLA is limited, as follows:

- You can subscribe to tables containing LOB columns, but information about the LOB value itself is unavailable.
 - `ttXlaGetColumnInfo` returns information about LOB columns.
 - Columns containing LOBs are reported as empty (zero length) or null (if the value is actually NULL). In this way, you can tell the difference between a null column and a non-null column.
-
-

Example 5-2 Specifying a table to monitor for updates

This example tracks changes to the MYDATA table:

```
#define TABLE_OWNER "APPUSER"
#define TABLE_NAME "MYDATA"
...
SQLUBIGINT SYSTEM_TABLE_ID = 0;
...
SQLUBIGINT userID;

rc = ttXlaTableByName(xla_handle, TABLE_OWNER, TABLE_NAME,
                     &SYSTEM_TABLE_ID, &userID);
```

When you have the table identifiers, you can use the `ttXlaTableStatus` function to enable XLA update tracking to detect changes to the MYDATA table. Setting the `newstatus` parameter to a nonzero value results in XLA tracking changes made to the specified table:

```
SQLINTEGER oldstatus;
SQLINTEGER newstatus = 1;
...
rc = ttXlaTableStatus(xla_handle, SYSTEM_TABLE_ID, 0,
                     &oldstatus, &newstatus);
```

The `oldstatus` parameter is output to indicate the status of the table at the time of the call.

At any time, you can use `ttXlaTableStatus` to return the current XLA status of a table by leaving `newstatus` null and returning only `oldstatus`. For example:

```
rc = ttXlaTableStatus(xla_handle, SYSTEM_TABLE_ID, 0,
                     &oldstatus, NULL);
...
if (oldstatus != 0)
    printf("XLA is currently tracking changes to table %s.%s\n",
          TABLE_OWNER, TABLE_NAME);
else
    printf("XLA is not tracking changes to table %s.%s\n",
          TABLE_OWNER, TABLE_NAME);
```

Retrieving update records from the transaction log

Once you have specified which tables to monitor for updates, you can call the `ttXlaNextUpdate` or `ttXlaNextUpdateWait` function to return a batch of records from the transaction log. Only records for committed transactions are returned. They are returned in the order in which they were committed. You must periodically call the `ttXlaAcknowledge` function to acknowledge receipt of the transactions so that XLA can determine which records are no longer needed and can be purged from the transaction log. These functions impact the position of the application bookmark in the transaction log, as described in "How bookmarks work" on page 5-4. Also see "ttLogHolds" in *Oracle TimesTen In-Memory Database Reference* for related information. That TimesTen built-in procedure returns information about transaction log holds.

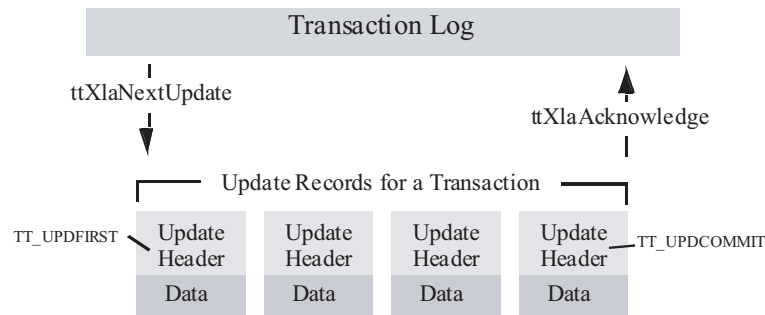
Note: The `ttXlaAcknowledge` function is an expensive operation and should be used only as necessary.

Each update record in a transaction returned by `ttXlaNextUpdate` begins with an update header described by the `ttXlaUpdateDesc_t` structure. This update header contains a flag indicating if the record is the first in the transaction (`TT_UPDFIRST`) or the last commit record (`TT_UPDCOMMIT`). The update header also identifies the table affected by the update. Following the update header are zero to two rows of data that describe the update made to that table in the database.

Figure 5-5 that follows shows a call to `ttXlaNextUpdate` that returns a transaction consisting of four update records from the transaction log. Receipt of the returned transaction is acknowledged by calling `ttXlaAcknowledge`, which resets the bookmark.

Note: This example is simplified for clarity. An actual XLA application would likely read records for multiple transactions before calling `ttXlaAcknowledge`.

Figure 5-5 Update records



Example 5-3 Retrieving update records from the transaction log

The `xlaSimple` demo continues to monitor our table for updates until stopped by the user.

Before calling `ttXlaNextUpdateWait`, the example initializes a pointer to the buffer to hold the returned `ttXlaUpdateDesc_t` records (`array`) and a variable to hold the actual number of returned records (`records`). Because the example calls `ttXlaNextUpdateWait`, it also specifies the number of seconds to wait (`FETCH_WAIT_SECS`) if no records are found in the transaction log buffer.

Next, call `ttXlaNextUpdateWait`, passing these values to obtain a batch of `ttXlaUpdateDesc_t` records in `array`. Then process each record in `array` by passing it to the `HandleChange()` function described in [Example 5-4](#) on page 5-16. After all records are processed, call `ttXlaAcknowledge` to reset the bookmark position.

```
#define FETCH_WAIT_SECS 5
...
SQLINTEGER records;
ttXlaUpdateDesc_t** array;
int j;

while (!StopRequested()) {

    /* Get a batch of update records */
    rc = ttXlaNextUpdateWait(xla_handle, &array, 100,
                            &records, FETCH_WAIT_SECS);

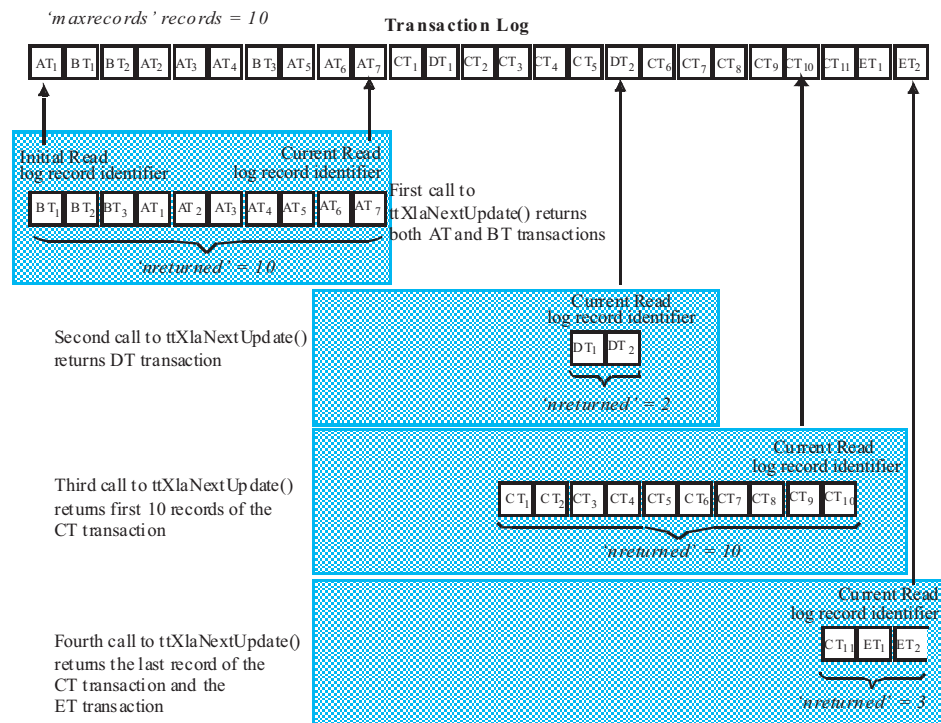
    if (rc != SQL_SUCCESS {
        /* See "Handling XLA errors" on page 5-28 */
    }

    /* Process the records */
    for(j=0; j < records; j++){
        ttXlaUpdateDesc_t* p;
        p = array[j];
        HandleChange(p); /* Described in the next section */
    }

    /* After each batch, Acknowledge updates to reset bookmark.*/
    rc = ttXlaAcknowledge(xla_handle);
    if (rc != SQL_SUCCESS {
        /* See "Handling XLA errors" on page 5-28 */
    }
} /* end while !StopRequested() */
```

The actual number of records returned by `ttXlaNextUpdate` or `ttXlaNextUpdateWait`, as indicated by the `nreturned` output parameter of those functions, may be less than the value of the `maxrecords` parameter. [Figure 5-6](#) shows an example where `maxrecords` is 10, the transaction log contains transaction AT that is made up of seven records, and transaction BT that is made up of three records. In this case, both transactions are returned in the same batch and both `maxrecords` and `nreturned` values are 10. However, the next three transactions in the log are CT with 11 records, DT with two records, and ET with two records. Because the commit record for the DT transaction appears before the CT commit record, the next call to `ttXlaNextUpdate` returns the two records for the DT transaction and the value of `nreturned` is 2. In the next call to `ttXlaNextUpdate`, XLA detects that the total records for the CT transaction exceeds `maxrecords`, so it returns the records for this transaction in two batches. The first batch contains the first 10 records for CT (`nreturned` = 10). The second batch contains the last CT record and the two records for the ET transaction, assuming no commit record for a transaction following ET is detected within the next seven records.

See "[ttXlaNextUpdate](#)" on page 9-22 and "[ttXlaNextUpdateWait](#)" on page 9-24 for details of the parameters of these functions.

Figure 5-6 Records retrieved when *maxrecords=10*

XLA reads records from either a memory buffer or transaction log files on disk, as described in "How XLA reads records from the transaction log" on page 5-2. To minimize latency, records from the memory buffer are returned as soon as they are available, while records not in the buffer are returned only if the buffer is empty. This design enables XLA applications to see changes as soon as the changes are made and with minimal latency. The trade-off is that there may be times when fewer changes are returned than the number requested by the `ttXlaNextUpdate` or `ttXlaNextUpdateWait` *maxrecords* parameter.

Note: For optimal throughput, XLA applications should make the "fetch" and "process record" procedures asynchronous. For example, you can create one thread to fetch and store the records and one or more other threads to process the stored records.

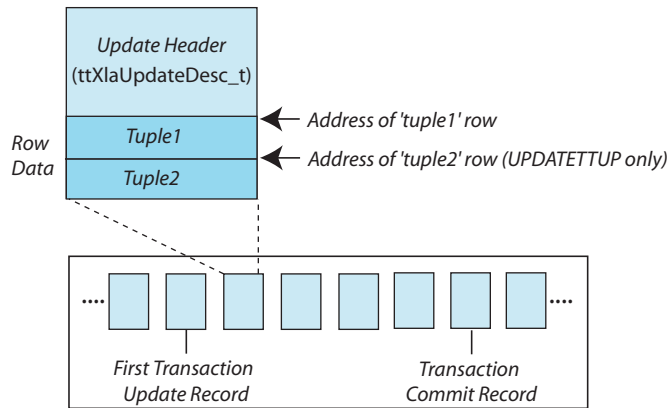
Inspecting record headers and locating row addresses

Now that there is an array of update records where the type of operation each record represents is known, the returned row data can be inspected.

Each record returned by the `ttXlaNextUpdate` or `ttXlaNextUpdateWait` function begins with an `ttXlaUpdateDesc_t` header that describes the following:

- The table on which the operation was performed
- Whether the record is the first or last (commit) record in the transaction
- The type of operation it represents
- The length of the returned row data, if any
- Which columns in the row were updated, if any

Figure 5-7 shows one of the update records in the transaction log.

Figure 5-7 Address of row data returned in an XLA update record

The `ttXlaUpdateDesc_t` header has a fixed length and, depending on the type of operation, is followed by zero to two rows (or tuples) from the database. You can locate the address of the first returned row by obtaining the address of the `ttXlaUpdateDesc_t` header and adding it to `sizeof(ttXlaUpdateDesc_t)`:

```
tup1 = (void*) ((char*) ttXlaUpdateDesc_t + sizeof(ttXlaUpdateDesc_t));
```

This is shown in [Example 5-4](#) below.

The `ttXlaUpdateDesc_t ->type` field describes the type of SQL operation that generated the update. Transaction records of type `UPDATETTUP` describe `UPDATE` operations, so they return two rows to report the row data before and after the update. You can locate the address of the second returned row that holds the value after the update by adding the address of the first row in the record to its length:

```
if (ttXlaUpdateDesc_t->type == UPDATETTUP) {
    tup2 = (void*) ((char*) tup1 + ttXlaUpdateDesc_t->tup1);
}
```

This is also shown in [Example 5-4](#).

Example 5-4 Inspecting record headers for SQL operation type

This example passes each record returned by the `ttXlaNextUpdateWait` function to a `HandleChange()` function, which determines whether the record is related to an `INSERT`, `UPDATE`, or `CREATE VIEW` operation. To keep this example simple, all other operations are ignored.

The `HandleChange()` function handles each type of SQL operation differently before calling the `PrintColValues()` function described in [Example 5-13](#) on page 5-25.

```
void HandleChange(ttXlaUpdateDesc_t* xlaP)
{
    void* tup1;
    void* tup2;

    /* First confirm that the XLA update is for the table we care about. */
    if (xlaP->sysTableID != SYSTEM_TABLE_ID)
        return ;

    /* OK, it's for the table we're monitoring. */

    /* The last record in the ttXlaUpdateDesc_t record is the "tuple2"
     * field. Immediately following this field is the first XLA record "row". */
```

```

tup1 = (void*) ((char*) xlaP + sizeof(ttXlaUpdateDesc_t));

switch(xlaP->type) {

case INSERTTUP:
    printf("Inserted new row:\n");
    PrintColValues(tup1);
    break;

case UPDATETUP:

    /* If this is an update ttXlaUpdateDesc_t, then following that is
     * the second XLA record "row".
     */

    tup2 = (void*) ((char*) tup1 + xlaP->tuple1);
    printf("Updated row:\n");
    PrintColValues(tup1);
    printf("To:\n");
    PrintColValues(tup2);
    break;

case DELETETUP:
    printf("Deleted row:\n");
    PrintColValues(tup1);
    break;

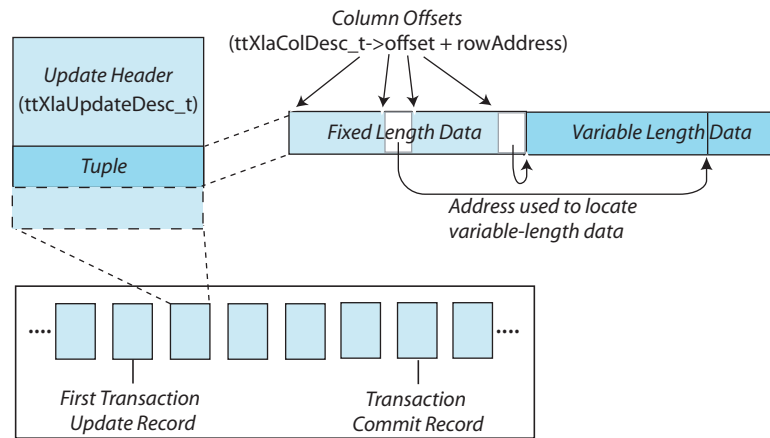
default:
    /* Ignore any XLA records that are not for inserts/update/delete SQL ops. */
    break;

} /* switch (xlaP->type) */
}

```

Inspecting column data

As described in ["Inspecting record headers and locating row addresses"](#) on page 5-15, zero to two rows of data may be returned in an update record after the `ttXlaUpdateDesc_t` structure. For each row, the first portion of the data is the fixed-length data, which is followed by any variable-length data, as shown in [Figure 5-8](#).

Figure 5–8 Column offsets in a row returned in an XLA update record

The procedures for inspecting column data are described in the following sections:

- [Obtaining column descriptions](#)
- [Reading fixed-length column data](#)
- [Reading NOT INLINE variable-length column data](#)
- [Null-terminating returned strings](#)
- [Converting complex data types](#)
- [Detecting null values](#)
- [Putting it all together: a PrintColValues\(\) function](#)

Obtaining column descriptions

To read the column values from the returned row, you must first know the offset of each column in that row. The column offsets and other column metadata can be obtained for a particular table by calling the `ttXlaGetColumnInfo` function, which returns a separate `ttXlaColDesc_t` structure for each column in the table. You should call the `ttXlaGetColumnInfo` function as part of your initialization procedure. This call was omitted from the discussion in ["Initializing XLA and obtaining an XLA handle"](#) on page 5-11 for simplicity.

When calling `ttXlaGetColumnInfo`, specify a `colinfo` parameter to create a pointer to a buffer to hold the list of returned `ttXlaColDesc_t` structures. Use the `maxcols` parameter to define the size of the buffer.

Example 5–5 Using column descriptions

The sample code from the `xlaSimple` demo below guesses the maximum number of returned columns (`MAX_XLA_COLUMNS`), which sets the size of the buffer `xla_column_defs` to hold the returned `ttXlaColDesc_t` structures. An alternative and more precise way to set the `maxcols` parameter would be to call the `ttXlaGetTableInfo` function and use the value returned in `ttXlaColDesc_t->columns`.

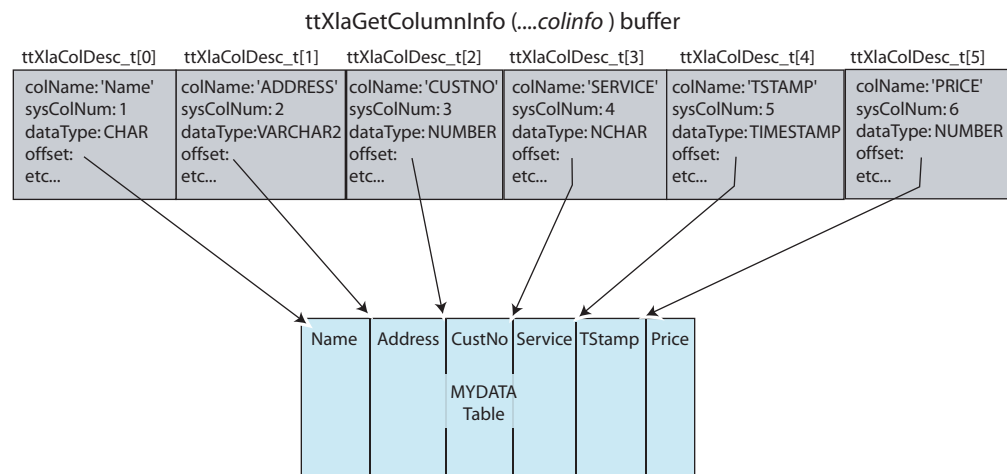
```
#define MAX_XLA_COLUMNS 128
...
SQLINTEGER ncols;
...
ttXlaColDesc_t xla_column_defs[MAX_XLA_COLUMNS];
...
```

```
rc = ttXlaGetColumnInfo(xla_handle, SYSTEM_TABLE_ID, userID,
                      xla_column_defs, MAX_XLA_COLUMNS, &ncols);
if (rc != SQL_SUCCESS {
    /* See "Handling XLA errors" on page 5-28 */
}
```

As shown in [Figure 5-9](#), the `ttXlaGetColumnInfo` function produces the following output:

- A list, `xla_column_defs`, of `ttXlaColDesc_t` structures into the buffer pointed to by the `ttXlaGetColumnInfo colinfo` parameter.
- An *nreturned* value, `ncols`, that holds the actual number of columns returned in the `xla_column_defs` buffer.

Figure 5-9 *ttXlaColDesc_t* structures returned by *ttXlaGetColumnInfo*

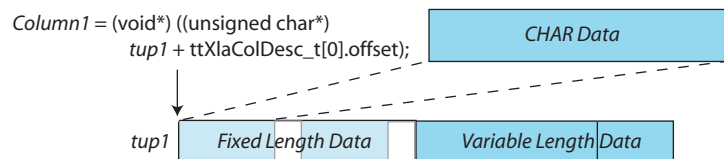


Each `ttXlaColDesc_t` structure returned by `ttXlaGetColumnInfo` has an offset value that describes the offset location of that column. How you use this offset value to read the column data depends on whether the column contains fixed-length data (such as CHAR, NCHAR, INTEGER, BINARY, DOUBLE, FLOAT, DATE, TIME, TIMESTAMP, and so on) or variable-length data (such as VARCHAR, NVARCHAR, or VARBINARY).

Reading fixed-length column data

For fixed-length column data, the address of a column is the offset value in the `ttXlaColDesc_t` structure, plus the address of the row.

Figure 5-10 *Locating fixed-length data in a row*



Example 5-6 Reading fixed-length column data

See [Example 5-13](#) on page 5-25 for a complete working example of computations such as those shown here.

The first column in the MYDATA table is of type CHAR. If you use the address of the tup1 row obtained earlier in the HandleChange() function (Example 5-4 on page 5-16) and the offset from the first ttXlaColDesc_t structure returned by the ttXlaGetColumnInfo function (Example 5-5 on page 5-18), you can obtain the value of the first column with computations such as the following:

```
char* Column1;

Column1 = ((unsigned char*) tup1 + xla_column_defs[0].offset);
```

The third column in the MYDATA table is of type INTEGER, so you can use the offset from the third ttXlaColDesc_t structure to locate the value and recast it as an integer using computations such as the following. The data is guaranteed to be aligned properly.

```
int Column3;

Column3 = *((int*) ((unsigned char*) tup +
                   xla_column_defs[2].offset));
```

The fourth column in the MYDATA table is of type NCHAR, so you can use the offset from the fourth ttXlaColDesc_t structure to locate the value and recast it as a SQLWCHAR type, with computations such as the following:

```
SQLWCHAR* Column4;

Column4 = (SQLWCHAR*) ((unsigned char*) tup +
                       xla_column_defs[3].offset);
```

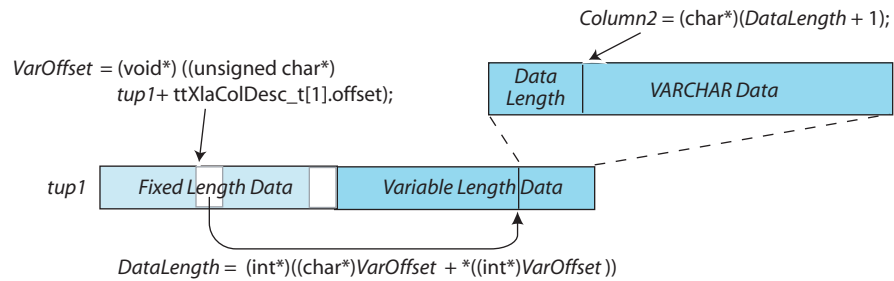
Unlike the column values obtained in the above examples, Column4 points to an array of two-byte Unicode characters. You must iterate through each element in this array to obtain the string, as shown for the SQL_WCHAR case in Example 5-13 on page 5-25.

Other fixed-length data types can be cast to their corresponding C types. Complex fixed-length data types, such as DATE, TIME, and DECIMAL values, are stored in an internal TimesTen format, but can be converted by applications to their corresponding ODBC C value using the XLA conversion functions, as described in "Converting complex data types" on page 5-23.

Note: Strings returned by XLA are not null-terminated. See "Null-terminating returned strings" on page 5-22.

Reading NOT INLINE variable-length column data

For NOT INLINE variable-length data (VARCHAR, NVARCHAR, and VARBINARY), the data located at ttXlaColDesc_t ->offset is a four-byte offset value that points to the location of the data in the variable-length portion of the returned row. By adding the offset address to the offset value, you can obtain the address of the column data in the variable-length portion of the row. The first *n* bytes (where *n* is 4 on 32-bit platforms or 8 on 64-bit platforms) at this location is the length of the data, followed by the actual data. For variable-length data, the ttXlaColDesc_t ->size value is the maximum allowable column size. Figure 5-11 shows how to locate NOT INLINE variable-length data in a row.

Figure 5–11 Locating NOT INLINE variable-length data in a row**Example 5–7 Reading NOT INLINE variable-length column data**

See [Example 5–13, "Complete PrintColValues\(\) function"](#) for a complete working example of computations such as those shown here.

Continuing with our example, the second column in the returned row (`tup1`) is of type VARCHAR. To locate the variable-length data in the row, first locate the value at the column's `ttXlaColDesc_t ->offset` in the fixed-length portion of the row, as shown in [Figure 5–11](#) above. The value at this address is the four-byte offset of the data in the variable-length portion of the row (`VarOffset`). Next, obtain a pointer to the beginning of the variable-length column data (`DataLength`) by adding the `VarOffset` offset value to the address of `VarOffset`. Assuming the operation is performed on a 32-bit platform, the first four bytes at the `DataLength` location is the length of the data. The next byte after `DataLength` is the beginning of the actual data (`Column2`).

The sample code here assumes the operation is performed on a 32-bit platform, so `DataLength` is initialized as a 32-bit type. On a 64-bit platform, `DataLength` must be initialized as a 64-bit type and the `Column2` data would appear 64 bits + 1 after the offset address, `DataLength`.

```
void* VarOffset; /* offset of data */
long* DataLength; /* length of data */
char* Column2; /* pointer to data */

VarOffset = (void*) ((unsigned char*) tup1 +
                    xla_column_defs[1].offset);
/*
 * If column is out-of-line, pColVal points to an offset
 * else column is inline so pColVal points directly to the string length.
 */

if (xla_column_defs[1].flags & TT_COLOUTOFLINE)
    DataLength = (long*)((char*)VarOffset + *((int*)VarOffset));
else
    DataLength = (long*)VarOffset;
Column2 = (char*)(DataLength+1);
```

VARBINARY types are handled in a manner similar to VARCHAR types. If `Column2` were an NVARCHAR type, you could initialize it as a SQLWCHAR, get the value as shown in the above VARCHAR case, then iterate through the `Column2` array, as shown for the NCHAR value, `CharBuf`, in [Example 5–13](#) on page 5-25.

Note: In the preceding example, `DataLength` is type `long`, which is described as being a 64-bit (8-byte) type on 64-bit systems and a 32-bit (4-byte) type on 32-bit systems. This is true on most UNIX systems; however, on Windows 64-bit systems `long` is a 4-byte type.

Null-terminating returned strings

Strings returned from record row data are not terminated with a null character. You can null-terminate a string by copying it into a buffer and adding a null character, '\0', after the last character in the string.

The procedures for null-terminating fixed-length and variable-length strings are slightly different. The procedure for null-terminating fixed-length strings is described in [Example 5-8](#). [Example 5-9](#) that follows describes the procedure for null-terminating variable-length strings of a known size. [Example 5-10](#) then describes the procedure for strings of an unknown size.

Example 5-8 Null-terminating fixed-length strings

See [Example 5-13](#) on page 5-25 for a complete working example of computations such as those shown here.

To null-terminate the fixed-length CHAR(10) Column1 string returned in [Example 5-6](#) on page 5-19, establish a buffer large enough to hold the string plus null character. Next, obtain the size of the string from `ttXlaColDesc_t ->size`, copy the string into the buffer, and null-terminate the end of the string, using computations such as the following. You can now use the contents of the buffer. In this example, the string is printed:

```
char buffer[10+1];
int size;

size = xla_column_defs[0].size;
memcpy(buffer, Column1, size);
buffer[size] = '\0';

printf(" Row %s is %s\n", ((unsigned char*) xla_column_defs[0].colName), buffer);
```

Null-terminating a variable-length string is similar to the procedure for fixed-length strings, only the size of the string is the value located at the beginning of the variable-length data offset, as described in "[Reading NOT INLINE variable-length column data](#)" on page 5-20.

Example 5-9 Null-terminating variable-length strings of known size

(See [Example 5-13](#) on page 5-25 for a complete working example of computations such as those shown here.)

If the Column2 string obtained in [Example 5-7](#) on page 5-21 is a VARCHAR(32), establish a buffer large enough to hold the string plus null character. Use the value located at the DataLength offset to determine the size of the string, using computations such as the following:

```
char buffer[32+1];

memcpy(buffer, Column2, *DataLength);
buffer[*DataLength] = '\0';

printf(" Row %s is %s\n", ((unsigned char*) xla_column_defs[1].colName), buffer);
```

If you are writing general purpose code to read all data types, you cannot make any assumptions about the size of a returned string. For strings of an unknown size, statically allocate a buffer large enough to hold the majority of returned strings. If a returned string is larger than the buffer, dynamically allocate the correct size buffer, as shown in [Example 5-10](#).

Example 5–10 Null-terminating variable-length strings of unknown size

If the `Column2` string obtained in [Example 5–7](#) on page 5-21 is of an unknown size, you might statically allocate a buffer large enough to hold a string of up to 10000 characters. Then check that the `DataLength` value obtained at the beginning of the variable-length data offset is less than the size of the buffer. If the string is larger than the buffer, use `malloc()` to dynamically allocate the buffer to the correct size.

```
#define STACKBUFSIZE 10000
char VarStackBuf[STACKBUFSIZE];
char* buffer;

buffer = (*DataLength+1 <= STACKBUFSIZE) ? VarStackBuf :
        malloc(*DataLength+1);

memcpy(buffer,Column2,*DataLength);
buffer[*DataLength] = '\0';

printf(" Row %s is %s\n", ((unsigned char*) xla_column_defs[1].colName), buffer);
if (buffer != VarStackBuf) /* buffer was allocated */
    free(buffer);
```

Converting complex data types

Values for complex data types such as `TT_DATE`, `TT_TIME`, and `TT_DECIMAL` are stored in an internal TimesTen format that can be converted into corresponding ODBC C types using the XLA type conversion functions. [Table 5–2](#) contains descriptions of these conversion functions.

Table 5–2 XLA data type conversion functions

Function	Converts
<code>ttXlaDateToODBCType</code>	Internal <code>TT_DATE</code> value to an ODBC C value
<code>ttXlaTimeToODBCType</code>	Internal <code>TT_TIME</code> value to an ODBC C value
<code>ttXlaTimeStampToODBCType</code>	Internal <code>TT_TIMESTAMP</code> value to an ODBC C value
<code>ttXlaDecimalToCString</code>	Internal <code>TT_DECIMAL</code> value to a string value
<code>ttXlaDateToODBCType</code>	Internal <code>TTXLA_DATE_TT</code> value to an ODBC C value
<code>ttXlaDecimalToCString</code>	Internal <code>TTXLA_DECIMAL_TT</code> value to a character string
<code>ttXlaNumberToBigInt</code>	Internal <code>TTXLA_NUMBER</code> value to a <code>TT_BIGINT</code> value
<code>ttXlaNumberToCString</code>	Internal <code>TTXLA_NUMBER</code> value to a character string
<code>ttXlaNumberToDouble</code>	Internal <code>TTXLA_NUMBER</code> value to a long floating point number value
<code>ttXlaNumberToInt</code>	Internal <code>TTXLA_NUMBER</code> value to an integer
<code>ttXlaNumberToSmallInt</code>	Internal <code>TTXLA_NUMBER</code> value to a <code>TT_SMALLINT</code> value
<code>ttXlaNumberToTinyInt</code>	Internal <code>TTXLA_NUMBER</code> value to a <code>TT_TINYINT</code> value
<code>ttXlaNumberToUInt</code>	Internal <code>TTXLA_NUMBER</code> value to an unsigned integer

Table 5–2 (Cont.) XLA data type conversion functions

Function	Converts
<code>ttXlaOraDateToODBCTimeStamp</code>	Internal <code>TTXLA_DATE</code> value to an ODBC timestamp
<code>ttXlaOraTimeStampToODBCTimeStamp</code>	Internal <code>TTXLA_TIMESTAMP</code> value to an ODBC timestamp
<code>ttXlaTimeToODBCCType</code>	Internal <code>TTXLA_TIME</code> value to an ODBC C value
<code>ttXlaTimeStampToODBCCType</code>	Internal <code>TTXLA_TIMESTAMP_TT</code> value to an ODBC C value

These conversion functions can be used on row data in the `ttXlaUpdateDesc_t` types: `UPDATETUP`, `INSERTTUP` and `DELETETUP`.

Example 5–11 Converting complex data types

(See [Example 5–13](#) on page 5-25 for a complete working example of computations such as those shown here.)

If you use the address of the `tup1` row obtained earlier in the `HandleChange()` function ([Example 5–4](#) on page 5-16) and the offset from the fifth `ttXlaColDesc_t` structure returned by the `ttXlaGetColumnInfo` function ([Example 5–5](#) on page 5-18), you can locate a column value of type `TIMESTAMP`. Use the `ttXlaTimeStampToODBCCType` function to convert the column data from TimesTen format and store the converted time value in an ODBC `TIMESTAMP_STRUCT`. You could use code such as the following to print the values:

```
void* Column5;
TIMESTAMP_STRUCT timestamp;

Column5 = (void*) ((unsigned char*) tup1 +
                  xla_column_defs[4].offset);

rc = ttXlaTimeStampToODBCCType(Column5, &timestamp);
if (rc != SQL_SUCCESS) {
    /* See "Handling XLA errors" on page 5-28 */
}
printf(" %s: %04d-%02d-%02d %02d:%02d:%02d.%06d\n",
       ((unsigned char*) xla_column_defs[i].colName),
       timestamp.year, timestamp.month, timestamp.day,
       timestamp.hour, timestamp.minute, timestamp.second,
       timestamp.fraction);
```

If you use the address of the `tup1` row obtained earlier in the `HandleChange()` function ([Example 5–4](#)) and the offset from the sixth `ttXlaColDesc_t` structure returned by the `ttXlaGetColumnInfo` function ([Example 5–5](#)), you can locate a column value of type `DECIMAL`. Use the `ttXlaDecimalToCString` function to convert the column data from TimesTen decimal format to a string. You could use code such as the following to print the values.

```
char decimalData[50];

Column6 = (float*) ((unsigned char*) tup +
                   xla_column_defs[5].offset);
precision = (short) (xla_column_defs[5].precision);
scale = (short) (xla_column_defs[5].scale);
```

```
rc = ttXlaDecimalToCString(Column6, (char*)&decimalData,
                          precision, scale);
if (rc != SQL_SUCCESS) {
    /* See "Handling XLA errors" on page 5-28 */
}

printf(" %s: %s\n", ((unsigned char*) xla_column_defs[5].colName), decimalData);
```

Detecting null values

For nullable table columns, `ttXlaColDesc_t ->nullOffset` points to the column's null byte in the record. This field is 0 (zero) if the column is not nullable, or greater than 0 if the column can be null.

For nullable columns (`ttXlaColDesc_t ->nullOffset > 0`), to determine if the column is null, add the null offset to the address of `ttXlaUpdate_t*` and check the (unsigned char) byte there to see if it is 1 (NULL) or 0 (NOT NULL).

Example 5-12 Detecting null values

Check whether Column6 is null as follows:

```
if (xla_column_defs[5].nullOffset != 0) {
    if (*(unsigned char*) tup +
        xla_column_defs[5].nullOffset) == 1) {
        printf("Column6 is NULL\n");
    }
}
```

Putting it all together: a PrintColValues() function

[Example 5-13](#) shows a function that checks the `ttXlaColDesc_t ->dataType` of each column to locate columns with a data type of CHAR, NCHAR, INTEGER, TIMESTAMP, DECIMAL, and VARCHAR, then prints the values. This is just one possible approach. Another option, for example, would be to check the `ttXlaColDesc_t ->ColName` values to locate specific columns by name.

The `PrintColValues()` function handles CHAR and VARCHAR strings up to 50 bytes in length. NCHAR characters must belong to the ASCII character set.

Example 5-13 Complete PrintColValues() function

The function in this example first checks `ttXlaColDesc_t ->nullOffset` to see if the column is null. Next it checks the `ttXlaColDesc_t ->dataType` field to determine the data type for the column. For simple fixed-length data (CHAR, NCHAR, and INTEGER), it casts the value located at `ttXlaColDesc_t ->offset` to the appropriate C type. The complex data types, TIMESTAMP and DECIMAL, are converted from their TimesTen formats to ODBC C values using the `ttXlaTimeStampToODBCType` and `ttXlaDecimalToCString` functions.

For variable-length data (VARCHAR), the function locates the data in the variable-length portion of the row, as described in ["Handling XLA errors"](#) on page 5-28.

```
void PrintColValues(void* tup)
{

    SQLRETURN rc ;
    SQLINTEGER native_error;

    void* pColVal;
```

```

char buffer[50+1]; /* No strings over 50 bytes */
int i;

for (i = 0; i < ncols; i++)
{
    if (xla_column_defs[i].nulloffset != 0) { /* See if column is NULL */
        /* this means col could be NULL */
        if (*(unsigned char*) tup + xla_column_defs[i].nulloffset) == 1) {
            /* this means that value is SQL NULL */
            printf(" %s: NULL\n",
                ((unsigned char*) xla_column_defs[i].colName));
            continue; /* Skip rest and re-loop */
        }
    }

    /* Fixed-length data types: */
    /* For INTEGER, recast as int */

    if (xla_column_defs[i].dataType == TTXLA_INTEGER) {

        printf(" %s: %d\n",
            ((unsigned char*) xla_column_defs[i].colName),
            *((int*) ((unsigned char*) tup + xla_column_defs[i].offset)));
    }

    /* For CHAR, just get value and null-terminate string */

    else if ( xla_column_defs[i].dataType == TTXLA_CHAR_TT
        || xla_column_defs[i].dataType == TTXLA_CHAR) {

        pColVal = (void*) ((unsigned char*) tup + xla_column_defs[i].offset);

        memcpy(buffer, pColVal, xla_column_defs[i].size);
        buffer[xla_column_defs[i].size] = '\0';

        printf(" %s: %s\n", ((unsigned char*) xla_column_defs[i].colName), buffer);
    }

    /* For NCHAR, recast as SQLWCHAR.
       NCHAR strings must be parsed one character at a time */

    else if ( xla_column_defs[i].dataType == TTXLA_NCHAR_TT
        || xla_column_defs[i].dataType == TTXLA_NCHAR ) {
        SQLUIINTEGER j;
        SQLWCHAR* CharBuf;

        CharBuf = (SQLWCHAR*) ((unsigned char*) tup + xla_column_defs[i].offset);

        printf(" %s: ", ((unsigned char*) xla_column_defs[i].colName));

        for (j = 0; j < xla_column_defs[i].size / 2; j++)
        {
            printf("%c", CharBuf[j]);
        }
        printf("\n");
    }

    /* Variable-length data types:
       For VARCHAR, locate value at its variable-length offset and null-terminate.
       VARBINARY types are handled in a similar manner.

```

For NVARCHARS, initialize 'var_data' as a SQLWCHAR, get the value as shown below, then iterate through 'var_len' as shown for NCHAR above */

```

else if ( xla_column_defs[i].dataType == TTXLA_VARCHAR
         || xla_column_defs[i].dataType == TTXLA_VARCHAR_TT) {

    long* var_len;
    char* var_data;
    pColVal = (void*) ((unsigned char*) tup + xla_column_defs[i].offset);
    /*
     * If column is out-of-line, pColVal points to an offset
     * else column is inline so pColVal points directly to the string length.
     */
    if (xla_column_defs[i].flags & TT_COLOUTOFFLINE)
        var_len = (long*)((char*)pColVal + *((int*)pColVal));
    else
        var_len = (long*)pColVal;

    var_data = (char*)(var_len+1);

    memcpy(buffer, var_data, *var_len);
    buffer[*var_len] = '\0';

    printf(" %s: %s\n", ((unsigned char*) xla_column_defs[i].colName), buffer);
}
/* Complex data types require conversion by the XLA conversion methods
   Read and convert a TimesTen TIMESTAMP value.
   DATE and TIME types are handled in a similar manner */
else if ( xla_column_defs[i].dataType == TTXLA_TIMESTAMP
         || xla_column_defs[i].dataType == TTXLA_TIMESTAMP_TT) {

    TIMESTAMP_STRUCT timestamp;
    char* convFunc;

    pColVal = (void*) ((unsigned char*) tup + xla_column_defs[i].offset);

    if (xla_column_defs[i].dataType == TTXLA_TIMESTAMP_TT) {
        rc = ttXlaTimeStampToODBCCType(pColVal, &timestamp);
        convFunc="ttXlaTimeStampToODBCCType";
    }
    else {
        rc = ttXlaOraTimeStampToODBCTimeStamp(pColVal, &timestamp);
        convFunc="ttXlaOraTimeStampToODBCTimeStamp";
    }

    if (rc != SQL_SUCCESS) {
        handleXLAerror (rc, xla_handle, err_buf, &native_error);
        fprintf(stderr, "%s() returns an error <%d>: %s",
                convFunc, rc, err_buf);
        TerminateGracefully(1);
    }

    printf(" %s: %04d-%02d-%02d %02d:%02d:%02d.%06d\n",
           ((unsigned char*) xla_column_defs[i].colName),
           timestamp.year, timestamp.month, timestamp.day,
           timestamp.hour, timestamp.minute, timestamp.second,
           timestamp.fraction);
}

```

```

/* Read and convert a TimesTen DECIMAL value to a string. */
else if (xla_column_defs[i].dataType == TTXLA_DECIMAL_TT) {

    char decimalData[50];
    short precision, scale;
    pColVal = (float*) ((unsigned char*) tup + xla_column_defs[i].offset);
    precision = (short) (xla_column_defs[i].precision);
    scale = (short) (xla_column_defs[i].scale);

    rc = ttXlaDecimalToCString(pColVal, (char*)&decimalData, precision, scale);
    if (rc != SQL_SUCCESS) {
        handleXLAerror (rc, xla_handle, err_buf, &native_error);
        fprintf(stderr, "ttXlaDecimalToCString() returns an error <%d>: %s",
            rc, err_buf);
        TerminateGracefully(1);
    }

    printf(" %s: %s\n", ((unsigned char*) xla_column_defs[i].colName),
        decimalData);
}
else if (xla_column_defs[i].dataType == TTXLA_NUMBER) {
    char numbuf[32];
    pColVal = (void*) ((unsigned char*) tup + xla_column_defs[i].offset);

    rc=ttXlaNumberToCString(xla_handle, pColVal, numbuf, sizeof(numbuf));
    if (rc != SQL_SUCCESS) {
        handleXLAerror (rc, xla_handle, err_buf, &native_error);
        fprintf(stderr, "ttXlaNumberToDouble() returns an error <%d>: %s",
            rc, err_buf);
        TerminateGracefully(1);
    }
    printf(" %s: %s\n", ((unsigned char*) xla_column_defs[i].colName), numbuf);
}

} /* End FOR loop */
}

```

Notes:

- In the preceding example, `var_len` is type `long`, assumed to be a 64-bit (8-byte) type on 64-bit systems and a 32-bit (4-byte) type on 32-bit systems. This is true on most UNIX systems; however, on Windows 64-bit systems `long` is a 4-byte type.
 - See "[Terminating an XLA application](#)" on page 5-32 for a sample `TerminateGracefully()` method.
-
-

Handling XLA errors

Each time you call an ODBC or XLA function, you must check the return code for any errors. If the error is fatal, terminate the program as described in "[Terminating an XLA application](#)" on page 5-32.

An error can be checked using either its error code (error number) or `tt_Err` string. For the complete list of TimesTen error codes and error strings, see the `install_dir/include/tt_errCode.h` file. For a description of each message, see "List of errors and warnings" in *Oracle TimesTen In-Memory Database Error Messages and SNMP Traps*.

If the return code from an XLA function is not `SQL_SUCCESS`, use the `ttXlaError` function to retrieve XLA-specific errors on the XLA handle.

Also see "Checking for errors" on page 2-35.

Example 5-14 Checking the return code and calling the error-handling function

This example, after calling the XLA function `ttXlaTableByName`, checks to see if the return code is `SQL_SUCCESS`. If not, it calls an XLA error-handling function followed by a function to terminate the application. See "Terminating an XLA application" on page 5-32.

```
rc = ttXlaTableByName(xla_handle, TABLE_OWNER, TABLE_NAME,
                    &SYSTEM_TABLE_ID, &userID);
if (rc != SQL_SUCCESS) {
    handleXLAerror (rc, xla_handle, err_buf, &native_error);
    fprintf(stderr,
        "ttXlaTableByName() returns an error <%d>: %s", rc, err_buf);
    TerminateGracefully(1);
}
```

Your XLA error-handling function should repeatedly call `ttXlaError` until all XLA errors are read from the error stack, proceeding until the return code from `ttXlaError` is `SQL_NO_DATA_FOUND`. If you must reread the errors, you can call the `ttXlaErrorRestart` function to reset the error stack pointer to the first error.

The error stack is cleared after a call to any XLA function other than `ttXlaError` or `ttXlaErrorRestart`.

Note: In cases where `ttXlaPersistOpen` cannot create an XLA handle, it returns the error code `SQL_INVALID_HANDLE`. Because no XLA handle has been created, `ttXlaError` cannot be used to detect this error. `SQL_INVALID_HANDLE` is returned only in cases where no memory can be allocated or the parameters provided are invalid.

Depending on your application, you may be required to act on specific XLA errors, including those shown in [Table 5-3](#).

Table 5-3 XLA errors and codes

Error	Code
<code>tt_ErrDbAllocFailed</code>	802 (transient)
<code>tt_ErrCondLockConflict</code>	6001 (transient)
<code>tt_ErrDeadlockVictim</code>	6002 (transient)
<code>tt_ErrTimeoutVictim</code>	6003 (transient)
<code>tt_ErrPermSpaceExhausted</code>	6220 (transient)
<code>tt_ErrTempSpaceExhausted</code>	6221 (transient)
<code>tt_ErrBadXlaRecord</code>	8024
<code>tt_ErrXlaBookmarkUsed</code>	8029
<code>tt_ErrXlaLsnBad</code>	8031
<code>tt_ErrXlaNoSQL</code>	8034
<code>tt_ErrXlaNoLogging</code>	8035

Table 5–3 (Cont.) XLA errors and codes

Error	Code
tt_ErrXlaParameter	8036
tt_ErrXlaTableDiff	8037
tt_ErrXlaTableSystem	8038
tt_ErrXlaTupleMismatch	8046
tt_ErrXlaDedicatedConnection	8047

Example 5–15 Calling the handleXLAerror() function

This example shows `handleXLAerror()`, the error function for the `xlaSimple` demo program.

```
void handleXLAerror(SQLRETURN rc, ttXlaHandle_h xlaHandle,
                  SQLCHAR* err_msg, SQLINTEGER* native_error)
{
    SQLINTEGER retLen;
    SQLINTEGER code;

    char* err_msg_ptr;

    /* initialize return codes */
    rc = SQL_ERROR;
    *native_error = -1;
    err_msg[0] = '\0';

    err_msg_ptr = (char*)err_msg;

    while (1)
    {
        int rc = ttXlaError(xlaHandle, &code, err_msg_ptr,
                          ERR_BUF_LEN - (err_msg_ptr - (char*)err_msg), &retLen);
        if (rc == SQL_NO_DATA_FOUND)
        {
            break;
        }
        if (rc != SQL_SUCCESS && rc != SQL_SUCCESS_WITH_INFO) {
            sprintf(err_msg_ptr,
                  "*** Error fetching error message via ttXlaError(); rc=<%d>.",rc) ;
            break;
        }
        rc = SQL_ERROR;
        *native_error = code ;
        /* append any other error messages */
        err_msg_ptr += retLen;
    }
}
```

Dropping a table that has an XLA bookmark

Before you can drop a table that is subscribed to by an XLA bookmark, you must unsubscribe the table from the bookmark. There are several ways to unsubscribe a table from a bookmark, depending on whether the application is connected to the bookmark.

If XLA applications are connected and using bookmarks that are tracking the table to be dropped, then perform the following tasks.

1. Each XLA application must call the `ttXlaTableStatus` function and set the `newstatus` parameter to 0. This unsubscribes the table from the XLA bookmark in use by the application.
2. Drop the table.

If XLA applications are not connected and using bookmarks associated with the table to be dropped, then perform the following tasks:

1. Query the `SYS.XLASUBSCRIPTIONS` system table to see which bookmarks have subscribed to the table you want to drop.
2. Use the `ttXlaUnsubscribe` built-in procedure to unsubscribe the table from each XLA bookmark with a subscription to the table.
3. Drop the table.

Deleting bookmarks also unsubscribes the table from the XLA bookmarks. See the next section, "[Deleting bookmarks](#)".

Deleting bookmarks

You may want to delete bookmarks when you terminate an application or drop a table. Use the `ttXlaDeleteBookmark` function to delete XLA bookmarks if the application is connected and using the bookmarks.

As described in "[About XLA bookmarks](#)" on page 5-4, a bookmark may be reused by a new connection after its previous connection has closed. The new connection can resume reading from the transaction log from where the previous connection stopped. Note the following:

- If you delete the bookmark, subsequent checkpoint operations such as the `ttCkpt` or `ttCkptBlocking` built-in procedure will free the disk space associated with any unread update records in the transaction log.
- If you do not delete the bookmark, when an XLA application connects and reuses the bookmark, all unread update records that have accumulated since the program terminated are read by the application. This is because the update records are persistent in the TimesTen transaction log. However, the danger is that these unread records can build up in the transaction log files and consume a lot of disk space.

Notes:

- You cannot delete replicated bookmarks while the replication agent is running.
- When you reuse a bookmark, you start with the Initial Read log record identifier in the transaction log file. To ensure that a connection that reuses a bookmark begins reading where the prior connection left off, the prior connection should call [ttXlaAcknowledge](#) to reset the bookmark position to the currently accessed record before disconnecting.
- See "ttLogHolds" in *Oracle TimesTen In-Memory Database Reference* for related information. That TimesTen built-in procedure returns information about transaction log holds.
- Be aware that `ttCkpt` and `ttCkptBlocking` require ADMIN privilege. TimesTen built-in procedures and any required privileges are documented in "Built-In Procedures" in *Oracle TimesTen In-Memory Database Reference*.

Example 5–16 Deleting bookmarks

The `InitHandler()` function in the `xlaSimple` demo deletes the XLA bookmark upon exit, as shown in the following example.

```
if (deleteBookmark) {
    ttXlaDeleteBookmark(xla_handle);
    if (rc != SQL_SUCCESS) {
        /* See "Handling XLA errors" on page 5-28 */
    }
    xla_handle = NULL; /* Deleting the bookmark has the */
                    /* effect of disconnecting from XLA. */
}
/* Close the XLA connection as described in the next section,
"Terminating an XLA application". */
```

If the application is not connected and using the XLA bookmark, you can delete the bookmark either of the following ways:

- Close the bookmark and call the `ttXlaBookmarkDelete` built-in procedure.
- Close the bookmark and use the `ttIsql` command `xladeletebookmark`.

Terminating an XLA application

When your XLA application has finished reading from the transaction log, gracefully exit by rolling back uncommitted transactions and freeing all handles. There are two approaches to this:

- Unsubscribe from all tables and materialized views, delete the XLA bookmark, and disconnect from the database.

Or:

- Disconnect from the database but keep the XLA bookmark in place. When you reconnect at a later time, you can resume reading records from the bookmark.

For the first approach, complete the following steps.

1. Call `ttXlaTableStatus` to unsubscribe from each table and materialized view, setting the `newstatus` parameter to 0.
2. Call `ttXlaDeleteBookmark` to delete the bookmark. See "Deleting bookmarks" on page 5-31.
3. Call `ttXlaClose` to disconnect the XLA handle.
4. Call the ODBC function `SQLTransact` with the `SQL_ROLLBACK` setting to roll back any uncommitted transaction.
5. Call the ODBC function `SQLDisconnect` to disconnect from the TimesTen database.
6. Call the ODBC function `SQLFreeConnect` to free memory allocated for the ODBC connection handle.
7. Call the ODBC function `SQLFreeEnv` to free the ODBC environment handle.

For the second approach, maintaining the bookmark, skip the first two steps but complete the remaining steps.

Be aware that resources should be freed in reverse order of allocation. For example, the ODBC environment handle is allocated before the ODBC connection handle, so for cleanup free the connection handle before the environment handle.

Example 5-17 Terminating an XLA application

This example shows `TerminateGracefully()`, the termination function in the `xlaSimple Quick Start` demo.

```
void TerminateGracefully(int status)
{
    SQLRETURN      rc;
    SQLINTEGER     native_error ;
    SQLINTEGER     oldstatus;
    SQLINTEGER     newstatus = 0;

    /* If the table has been subscribed to through XLA, unsubscribe it. */

    if (SYSTEM_TABLE_ID != 0) {
        rc = ttXlaTableStatus(xla_handle, SYSTEM_TABLE_ID, 0,
                             &oldstatus, &newstatus);
        if (rc != SQL_SUCCESS) {
            handleXLAerror (rc, xla_handle, err_buf, &native_error);
            fprintf(stderr, "Error when unsubscribing from \"TABLE_OWNER\".\"TABLE_NAME\"
                \" table <%=d>: %s", rc, err_buf);
        }
        SYSTEM_TABLE_ID = 0;
    }

    /* Close the XLA connection. */

    if (xla_handle != NULL) {
        rc = ttXlaClose(xla_handle);
        if (rc != SQL_SUCCESS) {
            fprintf(stderr, "Error when disconnecting from XLA:<%=d>", rc);
        }
        xla_handle = NULL;
    }

    if (hstmt != SQL_NULL_HSTMT) {
```

```

rc = SQLFreeStmt(hstmt, SQL_DROP);
if (rc != SQL_SUCCESS) {
    handleError(rc, henv, hdbc, hstmt, err_buf, &native_error);
    fprintf(stderr, "Error when freeing statement handle:\n%s\n", err_buf);
}
hstmt = SQL_NULL_HSTMT;
}

/* Disconnect from TimesTen entirely. */

if (hdbc != SQL_NULL_HDBC) {
rc = SQLTransact(henv, hdbc, SQL_ROLLBACK);
if (rc != SQL_SUCCESS) {
    handleError(rc, henv, hdbc, hstmt, err_buf, &native_error);
    fprintf(stderr, "Error when rolling back transaction:\n%s\n", err_buf);
}

rc = SQLDisconnect(hdbc);
if (rc != SQL_SUCCESS) {
    handleError(rc, henv, hdbc, hstmt, err_buf, &native_error);
    fprintf(stderr, "Error when disconnecting from TimesTen:\n%s\n", err_buf);
}

rc = SQLFreeConnect(hdbc);
if (rc != SQL_SUCCESS) {
    handleError(rc, henv, hdbc, hstmt, err_buf, &native_error);
    fprintf(stderr, "Error when freeing connection handle:\n%s\n", err_buf);
}
hdbc = SQL_NULL_HDBC;
}

if (henv != SQL_NULL_HENV) {
rc = SQLFreeEnv(henv);
if (rc != SQL_SUCCESS && rc != SQL_SUCCESS_WITH_INFO) {
    handleError(rc, henv, hdbc, hstmt, err_buf, &native_error);
    fprintf(stderr, "Error when freeing environment handle:\n%s\n", err_buf);
}
henv = SQL_NULL_HENV;
}
exit(status);
}

```

Using XLA as a replication mechanism

TimesTen replication as described in *Oracle TimesTen In-Memory Database Replication Guide* is sufficient for most customer needs; however, it is also possible to use XLA functions to replicate updates from one database to another. Implementing your own replication scheme on top of XLA in this way is fairly complicated, but can be considered if TimesTen replication is not feasible for some reason.

Note: You cannot use XLA to replicate updates between different platforms or between 32-bit and 64-bit versions of the same platform.

In this section, the sending database is referred to as the master and the receiving database as the subscriber. To use XLA to replicate changes between databases, first use the `ttXlaPersistOpen` function to initialize the XLA handles, as described in "[Initializing XLA and obtaining an XLA handle](#)" on page 5-11.

After the XLA handles have been initialized for the databases, take the steps described in the following sections:

- [Checking table compatibility between databases](#)
- [Replicating updates between databases](#)
- [Handling timeout and deadlock errors](#)
- [Checking for update conflicts](#)

XLA functions mentioned here are documented in [Chapter 9, "XLA Reference"](#).

Checking table compatibility between databases

Before transferring update records from one database to the other, verify that the tables in the master and subscriber databases are compatible with one another:

- You can check the descriptions of a table and its columns by using the [ttXlaTableByName](#), [ttXlaGetTableInfo](#), and [ttXlaGetColumnInfo](#) functions. See ["Checking table and column descriptions"](#) immediately below.
- You can check the table and column versions of a specific XLA record by using the [ttXlaVersionTableInfo](#) and [ttXlaVersionColumnInfo](#) functions. See ["Checking table and column versions"](#) on page 5-35.

Checking table and column descriptions

Use the [ttXlaTableByName](#), [ttXlaGetTableInfo](#), and [ttXlaGetColumnInfo](#) functions to return [ttXlaTblDesc_t](#) and [ttXlaColDesc_t](#) descriptions for each table you want to replicate. These operations are described in ["Specifying which tables to monitor for updates"](#) on page 5-11 and ["Obtaining column descriptions"](#) on page 5-18. You can then pass these descriptions to the [ttXlaTableCheck](#) function. The output parameter, `compat`, specifies whether the tables are compatible. A value of 1 indicates compatibility and 0 indicates non-compatibility. The following example demonstrates this.

Example 5-18 *Checking table and column descriptions for compatibility*

```
SQLINTEGER compat;
ttXlaTblDesc_t table;
ttXlaColDesc_t columns[20];

rc = ttXlaTableCheck(xla_handle, &table, columns, &compat);
if (compat) {
    /* Go ahead and start replicating */
}
else {
    /* Not compatible or some other error occurred */
}
```

Checking table and column versions

Use the [ttXlaVersionTableInfo](#) and [ttXlaVersionColumnInfo](#) functions to retrieve the table structure information of an update record at the time the record was generated.

The following example verifies that the table associated with the *pXlaRecord* update record from the *pCmd* source is compatible with the *hXlaTarget* target.

Example 5–19 Checking table and column versions for compatibility

```

BOOL CUTLCheckXlaTable (SCOMMAND* pCmd,
                       ttXlaHandle_h hXlaTarget,
                       const ttXlaUpdateDesc_t* pXlaRecord)
{
    /* locals */
    ttXlaTblVerDesc_t tblVerDescSource;
    ttXlaColDesc_t colDescSource [255];
    SQLINTEGER iColsReturned = 0;
    SQLINTEGER iCompatible = 0;
    SQLRETURN rc;

    /* only certain update record types should be checked */
    if (pXlaRecord->type == INSERTTUP ||
        pXlaRecord->type == UPDATETUP ||
        pXlaRecord->type == DELETETUP)
    {
        /* Get source table description associated with this record */
        /* from the time it was generated. */
        rc = ttXlaVersionTableInfo (pCmd->pCtx->con->hXla,
                                   (ttXlaUpdateDesc_t*) pXlaRecord, &tblVerDescSource);

        if (rc == SQL_SUCCESS)
        {
            /* Get the source column descriptors for this table */
            /* at the time the record was generated. */
            rc = ttXlaVersionColumnInfo (pCmd->pCtx->con->hXla,
                                        (ttXlaUpdateDesc_t*) pXlaRecord,
                                        colDescSource, 255, &iColsReturned);

            if (rc == SQL_SUCCESS)
            {
                /* Check compatibility. */
                rc = ttXlaTableCheck (hXlaTarget,
                                     &tblVerDescSource.tblDesc, colDescSource,
                                     &iCompatible);
            }
        }
    }
}

```

Replicating updates between databases

When you are ready to begin replication, use the [ttXlaNextUpdate](#) or [ttXlaNextUpdateWait](#) function to obtain batches of update records from the master database and [ttXlaApply](#) to write the records to the subscriber database. The following example shows this.

Example 5–20 Replicating updates between databases

```

int j;
ttXlaHandle_h h;
SQLINTEGER records;
ttXlaUpdateDesc_t** array;

do {
    /* get up to 15 updates */
    rc = ttXlaNextUpdate(h, &array, 15, &records);
    if (rc != SQL_SUCCESS) {

```

```

    /* See "Handling XLA errors" on page 5-28 */
}

/* print number of updates returned */
printf("Records returned by ttXlaNextUpdate : %d\n",records);

/* apply the received updates */
for (j=0;j < records;j++) {
    ttXlaUpdateDesc_t* p;

    p = arry[j];
    rc = ttXlaApply(h, p, 0);
    if (rc != SQL_SUCCESS){
        /* See "Handling XLA errors" on page 5-28 and */
        /* "Handling timeout and deadlock errors" below */
    }
}

/* print number of updates applied */
printf("Records applied successfully : %d\n",records);

} while (records != 0);

```

Important: If you are packaging data to be replicated across a network, or anywhere between processes not using the same memory space, you must ensure that the `ttXlaUpdateDesc_t` data structure is shipped in its entirety. Its length is indicated by `ttXlaUpdateDesc_t->header.length`, where the `header` element is a `ttXlaNodeHdr_t` structure that in turn has a `length` element. Also see "[ttXlaUpdateDesc_t](#)" on page 9-65 and "[ttXlaNodeHdr_t](#)" on page 9-64.

Handling timeout and deadlock errors

The return code from `ttXlaApply` indicates whether the update was successful. If the return code is not `SQL_SUCCESS`, then the update may have encountered a transient problem, such as a deadlock or timeout, or a persistent problem. You can use `ttXlaError` to check for errors, such as `tt_ErrDeadlockVictim` or `tt_ErrTimeoutVictim`. Recovery from transient errors is possible by rolling back the replicated transaction and reexecuting it. Other errors may be persistent, such as those for duplicate key violations or key not found. Such errors are likely to repeat if the transaction is reexecuted.

If `ttXlaApply` returns a timeout or deadlock error before applying the commit record (`ttXlaUpdateDesc_t->flags = TT_UPDCOMMIT`) for a transaction to the subscriber database, you can do either of the following:

- Use `ttXlaRollback` to roll back the transaction.
- Use `ttXlaCommit` to commit the changes in the records that have been applied to the subscriber database.

To enable recovery from transient errors, you should keep track of transaction boundaries on the master database and store the records associated with the transaction currently being applied to the subscriber in a user buffer, so you can reapply them if necessary. The transaction boundaries can be found by checking the `flags` member of the `ttXlaUpdateDesc_t` structure. Consider the following example. If this condition is true, then the record was committed:

```
(pXlaRecords [iRecordIndex]->flags & TT_UPDCOMMIT)
```

If you encounter an error that requires you to roll back a transaction, call `ttXlaRollback` to roll back the records applied to the subscriber database. Then call `ttXlaApply` to reapply all the rolled back records stored in your buffer.

Note: An alternative to buffering the transaction records in a user buffer is to call `ttXlaGetLSN` to get the transaction log record identifier of each commit record in the transaction log, as described in "Changing the location of a bookmark" on page 5-39. If you encounter an error that requires you to roll back a transaction, you can call `ttXlaSetLSN` to reset the bookmark to the beginning of the transaction in the transaction log and reapply the records. However, the extra overhead associated with the `ttXlaGetLSN` function may make this a less efficient option.

Checking for update conflicts

If you have applications making simultaneous updates to both your master and subscriber databases, you may encounter update conflicts. Update conflicts are described in detail in "Resolving Replication Conflicts" in *Oracle TimesTen In-Memory Database Replication Guide*.

To check for update conflicts in XLA, you can set the `ttXlaApply test` parameter to compare the old row value (`ttXlaUpdateDesc_t ->tuple1`) in each record of type `UPDATETUP` with the existing row in the subscriber database. If the old row value in the update description does not match the corresponding row in the subscriber database, an update conflict is probably the reason. In this case, `ttXlaApply` does not apply the update to the subscriber and returns an `sb_ErrXlaTupleMismatch` error.

Replicating updates to a non-TimesTen database

If you are replicating changes to a non-TimesTen database, you can use the `ttXlaGenerateSQL` function to convert the record data into a SQL statement that can be read by the non-TimesTen subscriber. For update and delete records, `ttXlaGenerateSQL` requires a primary key or a unique index on a non-nullable column to generate the correct SQL.

The `ttXlaGenerateSQL` function accepts a `ttXlaUpdateDesc_t` record as a parameter and outputs its SQL equivalent into a buffer.

Important: The SQL returned by `ttXlaGenerateSQL` uses TimesTen SQL syntax. The SQL statement may fail on a non-TimesTen subscriber if there are SQL syntax incompatibilities between the two systems. In addition, the SQL statement is encoded in the connection character set associated with the XLA handle.

Example 5-21 Replicating updates to a non-TimesTen database

This example translates a record (`record`) and stores the resulting SQL output in a 200-character buffer (`buffer`). The actual size of the buffer is returned in the `actualLength` parameter.

```
ttXlaUpdateDesc_t record;
char buffer[200];
SQLINTEGER actualLength;
```



```

rc = ttXlaGenerateSQL(xla_handle, &record, buffer, 200, &actualLength);

if (rc != SQL_SUCCESS) {
    handleXLAerror (rc, xla_handle, err_buf, &native_error);
    if ( native_error == 8034 ) { // tt_ErrXlaNoSQL
        printf("Unable to translate to SQL\n");
    }
}

```

Other XLA features

The following sections describe how to use additional XLA features:

- [Changing the location of a bookmark](#)
- [Passing application context](#)

Changing the location of a bookmark

At any point during a connection, you can call the [ttXlaGetLSN](#) function to query the system for the Current Read log record identifier. If you must replay a set of updates, you can use the [ttXlaSetLSN](#) function to reset the Current Read log record identifier to any valid value larger than the Initial Read log record identifier set by the last [ttXlaAcknowledge](#) call. In this context, "larger" only applies if the log record identifiers being compared are from records in the same transaction. If that is not the case, then any log record identifier from a transaction that committed before another transaction is the "smaller" log record identifier, even if the numeric value of the log record identifier is larger. The only way to enable the Initial Read log record identifier to move forward to the Current Read log record identifier is by calling the [ttXlaAcknowledge](#) function, which indicates that you have received and processed all transaction log records up to the Current Read log record identifier. Once you have called [ttXlaAcknowledge](#) on a particular bookmark, you can no longer access transaction log records with a log record identifier smaller than the Current Read log record identifier.

Passing application context

Although it is not an XLA function, writers to the transaction log can call the [ttApplicationContext](#) built-in procedure to pass binary data associated with an application to XLA readers. This procedure specifies a single `VARBINARY` value that is returned in the next update record produced by the current transaction. XLA readers can obtain a pointer to this value as described in ["Reading NOT INLINE variable-length column data"](#) on page 5-20.

Note: A context value will be applied to only one update record. After it has been applied it is reset. If the same context value should be applied to multiple updates, then it must be reestablished before each update.

To set the context:

1. Declare two program variables for invoking the [ttApplicationContext](#) procedure. The variable `contextBuffer` is a `CHAR` array that is declared to be large enough to accommodate the longest application context that you will use. The variable `contextBufferLen` is of type `INTEGER` and is used to convey the actual length of the context on each call to [ttApplicationContext](#).

2. Initialize a statement handle with a compiled invocation of the `ttApplicationContext` built-in procedure:

```
rc = SQLPrepare(hstmt, "call ttApplicationContext(?)", SQL_NTS);  
rc = SQLBindParameter(hstmt, 1, SQL_PARAM_INPUT, SQL_C_BINARY,  
                      SQL_VARBINARY, 0, 0, &contextBuffer,  
                      sizeof contextBuffer, &contextBufferLen);
```

3. When the application context must be set later, copy the context value into `contextBuffer`, assign the length of the context to `contextBufferLen`, and invoke `ttApplicationContext` with the call:

```
rc = SQLExecute(hstmt);
```

The transaction is then committed with the usual call on `SQLTransact`:

```
rc = SQLTransact(NULL, hdbc, SQL_COMMIT);
```

Note: If a SQL operation fails after a call to `ttApplicationContext`, the context may not be stored in the next SQL operation and therefore may be lost. If this happens, the application can call `ttApplicationContext` again before the next SQL operation.

Distributed Transaction Processing: XA

This chapter describes the TimesTen implementation of the X/Open XA standard.

The TimesTen implementation of the XA interfaces is intended for use by transaction managers in distributed transaction processing (DTP) environments. You can use these interfaces to write a new transaction manager or to adapt an existing transaction manager, such as Oracle Tuxedo, to operate with TimesTen resource managers.

The purpose of this chapter is to provide information specific to the TimesTen implementation of XA and is intended to be used with the following documents:

- X/Open CAE Specification, *Distributed Transaction Processing: The XA Specification*, published by the The Open Group (<http://www3.opengroup.org>)
- Tuxedo documentation, available through the following location:
<http://www.oracle.com/technetwork/middleware/weblogic/documentation>

This chapter includes the following topics:

- [Overview of XA](#)
- [Using XA in TimesTen](#)
- [XA support through the Windows ODBC driver manager](#)
- [Configuring Tuxedo to use TimesTen XA](#)

Important:

- The TimesTen XA implementation does not work with IMDB Cache. The start of any XA transaction will fail if the cache agent is running.
 - You cannot execute an XA transaction if replication is enabled.
 - Do not execute DDL statements within an XA transaction.
-
-

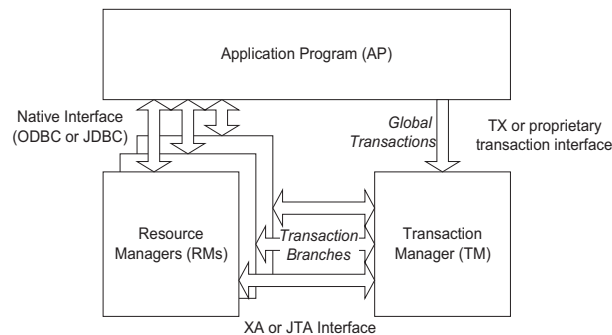
Overview of XA

This section provides a brief overview of the following XA concepts:

- [X/Open DTP model](#)
- [Two-phase commit](#)

X/Open DTP model

[Figure 6–1](#) that follows illustrates the interfaces defined by the X/Open DTP model.

Figure 6–1 Distributed transaction processing model

The TX interface is what applications use to communicate with a transaction manager. The figure shows an application communicating global transactions to the transaction manager. In the DTP model, the transaction manager breaks each global transaction down into multiple branches and distributes them to separate resource managers for service. It uses the XA interface to coordinate each transaction branch with the appropriate resource manager.

In the context of TimesTen XA, the resource managers can be a collection of TimesTen databases, or databases in combination with other commercial databases that support XA.

Global transaction control provided by the TX and XA interfaces is distinct from local transaction control provided by the native ODBC interface. It is generally best to maintain separate connections for local and global transactions. Applications can obtain a connection handle to a TimesTen resource manager in order to initiate both local and global transactions over the same connection. See "[TimesTen tt_xa_context function to obtain ODBC handle from XA connection](#)" on page 6-4 for more information.

Two-phase commit

In an XA implementation, the transaction manager commits the distributed branches of a global transaction by using a two-phase commit protocol.

1. In phase one, the transaction manager directs each resource manager to prepare to commit, which is to verify and guarantee it can commit its respective branch of the global transaction. If a resource manager cannot commit its branch, the transaction manager rolls back the entire transaction in phase two.
2. In phase two, the transaction manager either directs each resource manager to commit its branch or, if a resource manager reported it was unable to commit in phase one, rolls back the global transaction.

Note the following optimizations:

- If a global transaction is determined by the transaction manager to have involved only one branch, it skips phase one and commits the transaction in phase two.
- If a global transaction branch is read-only, where it does not generate any transaction log records, the transaction manager commits the branch in phase one and skips phase two for that branch.

Note: The transaction manager considers the global transaction committed if and only if all branches successfully commit.

Using XA in TimesTen

The TimesTen implementation of XA provides an API that is consistent with the API specified in *Distributed Transaction Processing: The XA Specification*. This section describes what you should know when using the TimesTen implementation of XA, covering the following topics:

- [TimesTen database requirements for XA](#)
- [Global transaction recovery in TimesTen](#)
- [Considerations in using standard XA functions with TimesTen](#)
- [TimesTen tt_xa_context function to obtain ODBC handle from XA connection](#)
- [Considerations in calling ODBC functions over XA connections in TimesTen](#)
- [XA resource manager switch](#)
- [XA error handling in TimesTen](#)

TimesTen database requirements for XA

To guarantee global transaction consistency, TimesTen XA transaction branches must be durable. The TimesTen implementation of the `xa_prepare()`, `xa_rollback()`, and `xa_commit()` functions log their actions to disk, regardless of the value set in the `DurableCommits` general connection attribute or by the `ttDurableCommit` built-in procedure. (The behavior is equivalent to what occurs with a setting of `DurableCommits=1`. See "DurableCommits" in *Oracle TimesTen In-Memory Database Reference* for related information.) If you must recover from a failure, both the resource manager and the TimesTen transaction manager have a consistent view of which transaction branches were active in a prepared state at the time of failure.

Global transaction recovery in TimesTen

When a database is loaded from disk to recover after a failure or unexpected termination, any global transactions that were prepared but not committed are left pending, or in doubt. Normal processing is not enabled until the disposition of all in-doubt transactions has been resolved.

After connection and recovery are complete, TimesTen checks for in-doubt transactions. If there are no in-doubt transactions, operation proceeds as normal. If there are in-doubt transactions, other connections may be created, but virtually all operations are prohibited on those connections until the in-doubt transactions are resolved. Any other ODBC or JDBC calls result in the following error:

```
Error 11035 - "In-doubt transactions awaiting resolution in recovery must be resolved first"
```

The list of in-doubt transactions can be retrieved through the XA implementation of `xa_recover()`, then dealt with through the XA call `xa_commit()`, `xa_rollback()`, or `xa_forget()`, as appropriate. After all of the in-doubt transactions are cleared, operation proceeds normally.

This scheme should be adequate for systems that operate strictly under control of the transaction manager, since the first thing the transaction manager should do after connect is to call `xa_recover()`.

If the transaction manager is unavailable or cannot resolve an in-doubt transaction, you can use the `ttXactAdmin` utility `-HCommit` or `-HAbort` option to independently commit or abort the individual transaction branches. Be aware, however, that these `ttXactAdmin` options require `ADMIN` privilege. See "ttXactAdmin" in *Oracle TimesTen In-Memory Database Reference*.

Considerations in using standard XA functions with TimesTen

This section describes some issues concerning the use of TimesTen XA functions, which are of interest if you are writing your own transaction manager.

`xa_open()`

The `xa_info` string used by `xa_open()` should be a connection string identical to that supplied to `SQLDriverConnect`, such as:

```
"DSN=DataStoreResource;UID=MyName"
```

XA limits the length of the string to 256 characters. See `MAXINFOSIZE` in the `xa.h` header file.

The `xa_open()` function automatically turns off autocommit when it opens an XA connection.

A connection opened with `xa_open()` must be closed with a call to `xa_close()`.

Note: Any user, other than the instance administrator, who wishes to connect to TimesTen must be granted the `CREATE SESSION` privilege. Refer to "[Access control for connections](#)" on page 2-6.

`xa_close()`

The `xa_info` string used by `xa_close()` should be empty.

Transaction id (XID) parameter

XA uniquely identifies global transactions by using a transaction ID, referred to as an *XID*. The XID is a required parameter for XA functions that manipulate a transaction. Internally, TimesTen maps XIDs to its own transaction identifiers.

The XID defined by the XA standard has some of its members (such as `formatID`, `gtrid_length`, and `bqual_length`) defined as type `long`. Be aware that this can cause problems when 32-bit client applications connect to a 64-bit server, or 64-bit client applications connect to a 32-bit server. This is because `long` is a 32-bit integer on 32-bit platforms but a 64-bit integer on 64-bit platforms, other than 64-bit Windows. Hence, TimesTen internally uses only the 32 least significant bits of those XID members regardless of the platform type of client or server. TimesTen does not support any value in those XID members that does not fit in a 32-bit integer.

TimesTen `tt_xa_context` function to obtain ODBC handle from XA connection

TimesTen provides the function `tt_xa_context()`, which enables you to acquire the ODBC connection handle associated with an XA connection opened by `xa_open()`.

Syntax

```
#include <tt_xa.h>
int tt_xa_context(int* rmid, SQLHENV* henv, SQLHDBC* hdbc);
```

Parameters

Parameter	Type	Description
<i>rmid</i>	int	The specified resource manager ID If this is non-null, the function returns the handles associated with the <i>rmid</i> value. If the specified <i>rmid</i> is null, the function returns the handles associated with the first connection on this thread. For example, specify a null value if the connection has been opened outside the scope of the user-written code, where <i>rmid</i> is unknown. This establishes context in the application environment.
<i>henv</i>	out SQLHENV	The environment handle associated with the current <code>xa_open()</code> context
<i>hdbc</i>	out SQLHDBC	The connection handle associated with the current <code>xa_open()</code> context

Return values

- 0: Success
- 1: *rmid* not found
- 1: Invalid parameter

Example

In the following example, assume Tuxedo has used `xa_open()` and `xa_start()` to open a connection to the database and start a transaction. To do further ODBC processing on the connection, use the `tt_xa_context()` function to locate the `SQLHENV` and `SQLHDBC` handles allocated by `xa_open()`.

Example 6-1 Using `tt_xa_context()` to locate handles

```
do_insert()
{
    SQLHENV henv;
    SQLHDBC hdbc;
    SQLHSTMT hstmt;

    /* retrieve the handles for the current connection */
    tt_xa_context(NULL, &henv, &hdbc);

    /* now we can do our ODBC programming as usual */
    SQLAllocStmt(hdbc, &hstmt);

    SQLExecDirect(hstmt, "insert into t1 values (1)", SQL_NTS);

    SQLFreeStmt(hstmt, SQL_DROP);
}
```

Considerations in calling ODBC functions over XA connections in TimesTen

This section describes some TimesTen issues to be aware of when calling ODBC functions using an ODBC handle associated with an XA connection opened by `xa_open()`.

Autocommit

To simplify operation and prevent possible contradictions, `xa_open()` automatically turns off autocommit when it opens an XA connection.

Autocommit may subsequently be turned on or off during local transaction work, but must be turned off before `xa_start()` is called to begin work on a global transaction branch. If autocommit is on, a call to `xa_start()` returns the following error:

```
Error 11030 - "Autocommit must be turned off when working on global (XA) transactions"
```

Once `xa_start()` has been called to begin work on a global transaction branch, autocommit may not be turned on until such work has been completed through a call to `xa_end()`. Any attempt to turn on autocommit in this case will result in the same error as above.

Local transaction COMMIT and ROLLBACK

Once work on a global transaction branch has commenced through a call to `xa_start()`, attempts to perform a local commit or rollback using `SQLTransact` results in the following error:

```
Error 11031 - "Illegal combination of local transaction and global (XA) transaction"
```

Closing open cursors

Any open statement cursors must be closed using `SQLFreeStmt` with a value of `SQL_CLOSE` before calling `xa_end()` to end work on a global transaction branch. Otherwise, the following error is returned:

```
Error 11032 - "XA request failed due to open cursors"
```

XA resource manager switch

Each resource manager defines a switch in its `xa.h` header file that provides the transaction manager with access to the XA functions in the resource managers. The transaction manager never directly calls an XA interface function. Instead, it calls the function in the switch table, which, in turn, points to the appropriate function in the resource manager. This enables resource managers to be added and removed without the requirement to recompile the applications.

In the TimesTen implementation of XA, the functions in the XA switch, `xa_switch_t`, point to their respective functions defined in a TimesTen switch, `tt_xa_switch`.

xa_switch_t

The `xa_switch_t` structure defined by the XA specification is as follows:

```
/* XA Switch Data Structure */
#define RMNAMESZ      32          /* length of resource manager name, */
                               /* including the null terminator */
#define MAXINFO SIZE  256        /* maximum size in bytes of xa_info strings, */
                               /* including the null terminator */
```



```

struct xa_switch_t
{
    char name[RMNAMESZ];           /* name of resource manager */
    long flags;                   /* resource manager specific options */
    long version;                 /* must be 0 */

    int (*xa_open_entry)(char*, int, long); /* xa_open function pointer */
    int (*xa_close_entry)(char*, int, long); /* xa_close function pointer*/
    int (*xa_start_entry)(XID*, int, long); /* xa_start function pointer */
    int (*xa_end_entry)(XID*, int, long); /* xa_end function pointer */
    int (*xa_rollback_entry)(XID*, int, long); /* xa_rollback function pointer */
    int (*xa_prepare_entry)(XID*, int, long); /* xa_prepare function pointer */
    int (*xa_commit_entry)(XID*, int, long); /* xa_commit function pointer */
    int (*xa_recover_entry)(XID*, long, int, long); /* xa_recover function pointer*/
    int (*xa_forget_entry)(XID*, int, long); /* xa_forget function pointer */
    int (*xa_complete_entry)(int*, int*, int, long); /* xa_complete function pointer */
    */
};

typedef struct xa_switch_t xa_switch_t;
/*
 * Flag definitions for the RM switch
 */
#define TMNOFLAGS 0x00000000L /* no resource manager features selected */
#define TMREGISTER 0x00000001L /* resource manager dynamically registers */
#define TMNOMIGRATE 0x00000002L /* RM does not support association migration */
#define TMUSEASYNC 0x00000004L /* RM supports asynchronous operations */

```

tt_xa_switch

The `tt_xa_switch` names the actual functions implemented by a TimesTen resource manager. It also indicates explicitly that association migration is not supported. In addition, dynamic registration and asynchronous operations are not supported.

```

struct xa_switch_t
tt_xa_switch =
{
    "TimesTen", /* name of resource manager */
    TMNOMIGRATE, /* RM does not support association migration */
    0,
    tt_xa_open,
    tt_xa_close,
    tt_xa_start,
    tt_xa_end,
    tt_xa_rollback,
    tt_xa_prepare,
    tt_xa_commit,
    tt_xa_recover,
    tt_xa_forget,
    tt_xa_complete
};

```

XA error handling in TimesTen

The XA specification has a limited and strictly defined set of errors that can be returned from XA interface calls. The ODBC `SQLERROR` function returns XA-defined errors along with any additional information.

The TimesTen XA-related errors begin at number 11000. Errors 11002 through 11020 correspond to the errors defined by the XA standard.

See "Warnings and Errors" in *Oracle TimesTen In-Memory Database Error Messages and SNMP Traps* for the complete list of errors.

XA support through the Windows ODBC driver manager

This section discusses issues and procedures for using XA with the Windows ODBC driver manager. (UNIX ODBC driver managers are not considered.)

Issues to consider

XA support through the ODBC driver manager requires special handling. There are two fundamental problems:

- The XA interface is not part of the defined ODBC interface. If the XA symbols are directly referenced in an application, it is not possible to link with only the driver manager library to resolve all the external references.
- By design, the driver manager determines which driver .dll file to load at connect time, when you call `SQLConnect` or `SQLDriverConnect`. XA dictates that the connection should be opened through `xa_open()`. But the correct `xa_open()` entry point cannot be located until the .dll is loaded during the connect operation itself.

Note that the driver manager objective of database portability is generally not applicable here, since each XA implementation is essentially proprietary. The primary benefit of driver manager support for XA-enabled applications is to enable TimesTen-specific applications to run transparently with either the TimesTen direct driver or the TimesTen Client/Server driver.

Linking to the TimesTen ODBC XA driver manager extension library

On Windows installations, TimesTen provides a driver manager extension library, `ttxadm1122.dll`, for XA functions. Applications can make XA calls directly, but must link in the extension library.

To link with the `ttxadm1122.dll` library, applications must include `ttxadm1122.lib` before `odbc32.lib` in their link line. For example:

```
# Link with the ODBC driver manager
appldm.exe:appl.obj
    $(CC) /Feappldm.exe appl.obj ttxadm1122.lib odbc32.lib
```

Note: The XA driver manager extension is implemented only for 32-bit Windows applications.

Configuring Tuxedo to use TimesTen XA

To configure Tuxedo to use the TimesTen resource managers, perform the following tasks.

- [Update the \\$TUXDIR/udataobj/RM file](#)
- [Build the Tuxedo transaction manager server](#)
- [Update the GROUPS section in the UBBCONFIG file](#)
- [Compile the servers](#)

Important: Though TimesTen XA has been demonstrated to work with the Oracle Tuxedo transaction manager, TimesTen cannot guarantee the operation of DTP software beyond the TimesTen implementation of XA.

Notes:

- The examples in this section use the direct driver. You can also use the client/server library or driver manager library with the XA extension library.
 - Information on configuring TimesTen for object-relational mapping frameworks and application servers, including Oracle WebLogic Application Server, is available in the TimesTen Quick Start. Click **J2EE and OR Mapping** under Configuration and Setup.
-
-

Update the \$TUXDIR/udataobj/RM file

To integrate the TimesTen XA resource manager into the Oracle Tuxedo system, update the \$TUXDIR/udataobj/RM file to identify the TimesTen resource manager, the name of the TimesTen resource manager switch (`tt_xa_switch`), and the name of the library for the resource manager.



On UNIX platforms, add the following:

```
TimesTen:tt_xa_switch:-Linstall_dir/lib -ltten
```

For example:

```
TimesTen:tt_xa_switch:-L/opt/TimesTen/giraffe/lib -ltten
```



On Windows platforms, add the following:

```
TimesTen;tt_xa_switch;install_dir\lib\ttdv1122.lib
```

For example:

```
TimesTen;tt_xa_switch;C:\TimesTen\giraffe\lib\ttdv1122.lib
```

Note: The `install_dir` is the path to the TimesTen home directory.

Build the Tuxedo transaction manager server

Use the `buil dtms` command to build a transaction manager server for the TimesTen resource manager. Then copy the `TMS_TT` file created by `buil dtms` to the \$TUXDIR/bin directory.



On UNIX platforms, the commands are the following:

```
buil dtms -o TMS_TT -r TimesTen -v
cp TMS_TT $TUXDIR/bin
```



On Windows platforms, the commands are the following:

```
buil dtms -o TMS_TT -r TimesTen -v
copy TMS_TT.exe %TUXDIR%\bin
```

Update the GROUPS section in the UBBCONFIG file

For TMSNAME, specify the TMS_TT file created by the `buil dtms` command described in the preceding section.

```
TMSNAME=TMS_TT
```

Enter a line for each TimesTen resource manager that specifies a group name, followed by the LMID, GRPNO, and OPENINFO parameters. Your OPENINFO string should look like this:

```
OPENINFO="TimesTen:DSN=DSNname"
```

Where *DSNname* is the name of the database.

Note that on Windows, Tuxedo servers run as user SYSTEM. Add the UID general connection attribute to the OPENINFO string to specify a user other than SYSTEM:

```
OPENINFO="TimesTen:DSN=DSNname;UID=user"
```

Do not specify a CLOSEINFO parameter for any TimesTen resource manager.

[Example 6-2](#) shows the portions of a UBBCONFIG file used to configure two TimesTen resource managers, GROUP1 and GROUP2.

Example 6-2 Configuring TimesTen resource managers

```
*RESOURCES
...
*MACHINES
...
ENGSERV LMID=simple
*GROUPS
DEFAULT: TMSNAME=TMS_TT TMSCOUNT=2
GROUP1
    LMID=simple GRPNO=1 OPENINFO="TimesTen:DSN=MyDSN1;UID=MyName"
GROUP2
    LMID=simple GRPNO=2 OPENINFO="TimesTen:DSN=MyDSN2;UID=MyName"
*SERVERS
DEFAULT:
    CLOPT="-A"
simpserv1 SRVGRP=GROUP1 SRVID=1
simpserv2 SRVGRP=GROUP2 SRVID=2

*SERVICES
TOUPPER
TOWER
```

Compile the servers

Set the CFLAGS environment variable to include the `install_dir/include` directory that contains the TimesTen include files. Then use the `buildserver` command to construct an Oracle Tuxedo ATMI server load module.



On UNIX platforms, enter the following.

```
export CFLAGS=-Iinstall_dir/
buildserver -o server -f server.c -r TimesTen -s SERVICE
```



On Windows platforms, enter the following.

```
set CFLAGS=-Iinstall_dir\
buildserver -o server -f server.c -r TimesTen -s SERVICE
```

Note: The *install_dir* is the path to the TimesTen home directory.

[Example 6-3](#) shows an example of how to use the `buildclient` command to construct the client module (`simpcl`) and the `buildserver` command to construct the two server modules described in the `UBBCONFIG` file in [Example 6-2](#) above.

Example 6-3 Construct server modules

```
set CFLAGS=-IC:\TimesTen\giraffe\  
buildclient -o simpcl -f simpcl.c  
buildserver -v -t -o simpserv1 -f simpserv1.c -r TimesTen -s TOUPPER  
buildserver -v -t -o simpserv2 -f simpserv2.c -r TimesTen -s TOLOWER
```

ODBC Application Tuning

This chapter describes how to tune an ODBC application to run optimally on a TimesTen database. See "TimesTen Database Performance Tuning" in *Oracle TimesTen In-Memory Database Operations Guide* for more general tuning tips.

This chapter includes the following topics:

- [Bypass driver manager if appropriate](#)
- [Using arrays of parameters for batch execution](#)
- [Avoid excessive binds](#)
- [Avoid SQLGetData](#)
- [Avoid data type conversions](#)
- [Bulk fetch rows of TimesTen data](#)

Bypass driver manager if appropriate

TimesTen permits ODBC applications that do not need some of the functionality provided by a driver manager to link without one. In particular, applications that do not need ODBC access to database systems other than TimesTen should omit the driver manager. This is done by linking the application directly with the TimesTen direct or client driver, as described in "[Linking options](#)" on page 1-1. The performance improvement will be significant.

Note: It is permissible for some applications connected to a database to be linked with the driver manager, while others connected to the same database are direct-linked.

Using arrays of parameters for batch execution

You can improve performance by using groups, referred to as *batches*, of statement executions in your application.

The `SQLParamOptions` ODBC function enables an application to specify multiple values for the set of parameters assigned by `SQLBindParameter`. This is useful for processing the same SQL statement multiple times with various parameter values. For example, your application can specify multiple sets of values for the set of parameters associated with an `INSERT` statement, and then execute the `INSERT` statement once to perform all the insert operations.

TimesTen supports the use of `SQLParamOptions` with `INSERT`, `UPDATE`, `DELETE`, and `MERGE` statements, but not with `SELECT` statements. TimesTen recommends the following batch sizes for TimesTen 11g Release 2 (11.2.2):

- 256 for `INSERT` statements
- 31 for `UPDATE` statements
- 31 for `DELETE` statements
- 31 for `MERGE` statements

[Table 7-1](#) provides a summary of `SQLParamOptions` arguments. Refer to ODBC API reference documentation for details.

Table 7-1 *SQLParamOptions arguments*

Argument	Type	Description
<i>hstmt</i>	<code>SQLHSTMT</code>	Statement handle
<i>crow</i>	<code>SQLROWSETSIZE</code>	Number of values for each parameter
<i>pirow</i>	<code>SQLROWSETSIZE</code>	Pointer to storage for the current row number

Assuming the *crow* value is greater than 1, the *rgbValue* argument of `SQLBindParameter` points to an array of parameter values and the *pcbValue* argument points to an array of lengths. (Also see "[SQLBindParameter function](#)" on page 2-12.)

Refer to the TimesTen Quick Start demo source file `bulkininsert.c` for a complete working example of batching. (Also, for programming in C++ with `TTClasses`, see `bulktest.cpp`.)

Note: When using `SQLParamOptions` with the TimesTen Client/Server driver, data-at-execution parameters are not supported. (An application can pass the value for a parameter either in the `SQLBindParameter` *rgbValue* buffer or with one or more calls to `SQLPutData`. Parameters whose data is passed with `SQLPutData` are known as *data-at-execution* parameters. These are commonly used to send data for `SQL_LONGVARBINARY` and `SQL_LONGVARCHAR` parameters and can be mixed with other parameters.)

Avoid excessive binds

The purpose of a `SQLBindCol` or `SQLBindParameter` call is to associate a type conversion and program buffer with a data column or parameter. For a given SQL statement, if the type conversion or memory buffer for a given data column or parameter is not going to change over repeated executions of the statement, it is better not to make repeated calls to `SQLBindCol` or `SQLBindParameter`. Simply prepare once and bind once to execute many times.

Note: A call to `SQLFreeStmt` with the `SQL_UNBIND` option unbinds all columns.

Avoid SQLGetData

`SQLGetData` can be used for fetching data without binding columns. This can sometimes have a negative impact on performance because applications have to issue

a `SQLGetData` ODBC call for every column of every row that is fetched. In contrast, using bound columns requires only one ODBC call for each fetched column. Further, the TimesTen ODBC driver is more highly optimized for the bound columns method of fetching data.

`SQLGetData` can be very useful, though, for doing piecewise fetches of data from long character or binary columns. (This is discussed with respect to LOBs in ["Using the LOB piecewise data interface in ODBC"](#) on page 2-24.)

Avoid data type conversions

TimesTen instruction paths are so short that even small delays due to data conversion can cause a relatively large percentage increase in transaction time. To avoid data type conversions:

- Match input argument types to expression types.
- Match the types of output buffers to the types of the fetched values.
- Match the connection character set to the database character set.

Bulk fetch rows of TimesTen data

TimesTen provides the `TT_PREFETCH_COUNT` option, which can be set through `SQLSetStmtOption` and enables an application to fetch multiple rows of data. This feature is available for applications that use the Read Committed isolation level. For applications that retrieve large amounts of TimesTen data, fetching multiple rows can increase performance greatly. However, locks are held on all rows being retrieved until the application has received all the data, decreasing concurrency. For more information on how to use `TT_PREFETCH_COUNT`, see ["Prefetching multiple rows of data"](#) on page 2-11.

TimesTen Utility API

The TimesTen Utility Library C language functions documented in this chapter provide a programmable interface to some of the command line utilities documented in "Utilities" in *Oracle TimesTen In-Memory Database Reference*.

Applications that use this set of C language functions must include `ttutil.h` and link with both the TimesTen driver library (`libtten` on UNIX or `ttdev1122.lib` and `tten1122.lib` on Windows) and the TimesTen utility library (`libttutil` on UNIX and `ttutil1122.lib` on Windows platforms).

Important: Applications must call the `ttUtilAllocEnv` C function before calling any other TimesTen utility library function. In addition, applications must call the `ttUtilFreeEnv` C function when done using the TimesTen utility library interface.

These functions are not supported with TimesTen Client or for Java applications. They are supported only for TimesTen ODBC applications using the direct driver.

Return codes

Unless otherwise indicated, the utility functions return these codes as defined in `ttutil.h`.

Code	Description
TTUTIL_SUCCESS	Indicates success.
TTUTIL_ERROR	Indicates an error occurs.
TTUTIL_WARNING	Upon success, indicates a warning has been generated.
TTUTIL_INVALID_HANDLE	Indicates an invalid utility library handle is specified.

Note: The application must call the `ttUtilGetError` C function to retrieve all actual error or warning information.

ttBackup

Description

Creates either a full or an incremental backup copy of the database specified by *connStr*. You can back up a database either to a set of files or to a stream. You can restore the database at a later time using either the [ttRestore](#) function or the `ttRestore` utility.

For an overview of the TimesTen backup and restore facility, see "Migration, Backup, and Restoration" in *Oracle TimesTen In-Memory Database Installation Guide*.

Required privilege

ADMIN

Syntax

```
ttBackup (ttUtilHandle handle, const char* connStr,  
          ttBackUpType type, ttBooleanType atomic,  
          const char* backupDir, const char* baseName,  
          ttUtFileHandle stream)
```

Parameters

Parameter	Type	Description
<i>handle</i>	ttUtilHandle	Specifies the TimesTen utility library environment handle allocated using ttUtilAllocEnv .
<i>connStr</i>	const char*	This is a null-terminated string specifying a connection string that describes the database to be backed up.

Parameter	Type	Description
<i>type</i>	ttBackupType	<p>Specifies the type of backup to be performed. Valid values are as follows:</p> <ul style="list-style-type: none"> ■ <code>TT_BACKUP_FILE_FULL</code>: Performs a full file backup to the backup path specified by the <i>backupDir</i> and <i>baseName</i> parameters. The resulting backup is not enabled for incremental backup. ■ <code>TT_BACKUP_FILE_FULL_ENABLE</code>: Performs a full file backup to the backup path specified by the <i>backupDir</i> and <i>baseName</i> parameters. The resulting backup is enabled for incremental backup. ■ <code>TT_BACKUP_FILE_INCREMENTAL</code>: Performs an incremental file backup to the backup path specified by the <i>backupDir</i> and <i>baseName</i> parameters, if that backup path contains an incremental-enabled backup of the database. Otherwise, an error is returned. ■ <code>TT_BACKUP_FILE_INCR_OR_FULL</code>: Performs an incremental file backup to the backup path specified by the <i>backupDir</i> and <i>baseName</i> parameters of that backup path contains an incremental-enabled backup of the database. Otherwise, it performs a full file backup of the database and marks it incremental enabled. ■ <code>TT_BACKUP_STREAM_FULL</code>: Performs a stream backup to the stream specified by the <i>stream</i> parameter. ■ <code>TT_BACKUP_INCREMENTAL_STOP</code>: Does not perform a backup. Disables incremental backups for the backup path specified by the <i>backupDir</i> and <i>baseName</i> parameters. This prevents transaction log files from accumulating for an incremental backup.

Parameter	Type	Description
<i>atomic</i>	ttBooleanType	<p>Specifies the disposition of an existing backup with the same <i>baseName</i> and <i>backupDir</i> while the new backup is being created.</p> <p>This parameter has an effect only on full file backups when there is an existing backup with the same <i>baseName</i> and <i>backupDir</i>. It is ignored for incremental backups because they augment, rather than replace, an existing backup. It is ignored for stream backups because they write to the given stream, ignoring the <i>baseName</i> and <i>backupDir</i> parameters.</p> <p>The following are valid values:</p> <ul style="list-style-type: none"> ■ TT_FALSE: The existing backup is destroyed before the new backup begins. If the new backup fails to complete, neither the new, incomplete, backup nor the existing backup can be used to restore the database. This option should be used only when the database is being backed up for the first time, when there is another backup of the database that uses a different <i>baseName</i> or <i>backupDir</i>, or when the application can tolerate a window of time (typically tens of minutes long for large databases) during which no backup of the database exists. ■ TT_TRUE: The existing backup is destroyed only after the new backup has completed successfully. If the new backup fails to complete, the old backup is retained and can be used to restore the database. If there is an existing backup with the same <i>baseName</i> and <i>backupDir</i> then the use of this option ensures that there is no window of time during which neither the existing backup nor the new backup is available for restoring the database, and it ensures that the existing backup will be destroyed only if it has been successfully superseded by the new backup. However, it does require enough disk space for both the existing and new backups to reside in the <i>backupDir</i> at the same time.
<i>backupDir</i>	const char*	<p>Specifies the backup directory for file backups. It is ignored for stream backups. Otherwise it must be non-null.</p> <p>For TT_BACKUP_INCREMENTAL_STOP, it specifies the directory portion of the backup path that is to be disabled.</p> <p>For TT_BACKUP_INCREMENTAL_STOP or a file backup, an error is returned if NULL is specified.</p>

Parameter	Type	Description
<i>baseName</i>	const char*	<p>Specifies the file prefix for the backup files in the backup directory specified by the <i>backupDir</i> parameter for file backups.</p> <p>It is ignored for stream backups.</p> <p>If NULL is specified for this parameter, the file prefix for the backup files is the file name portion of the <i>DataStore</i> attribute in the ODBC definition of the database.</p> <p>For <code>TT_BACKUP_INCREMENTAL_STOP</code>, this parameter specifies the basename portion of the backup path that is to be disabled.</p>
<i>stream</i>	ttUtFileHandle	<p>For stream backups, this parameter specifies the stream to which the backup is to be written.</p> <p>On UNIX, it is an integer file descriptor that can be written to by using <code>write(2)</code>. Pass 1 to write the backup to <code>stdout</code>.</p> <p>On Windows, it is a handle that can be written to using <code>WriteFile</code>. Pass the result of <code>GetStdHandle(STD_OUTPUT_HANDLE)</code> to write the backup to the standard output.</p> <p>This parameter is ignored for file backups.</p> <p>The application can pass <code>TTUTIL_INVALID_FILE_HANDLE</code> for this parameter.</p>

Example

This example backs up the database for the payroll DSN into C:\backup.

```
ttUtilHandle  utilHandle;
int           rc;
rc = ttBackup (utilHandle, "DSN=payroll", TT_BACKUP_FILE_FULL,
              TT_TRUE, "c:\\backup", NULL, TTUTIL_INVALID_FILE_HANDLE);
```

Upon successful backup, all files are created in the C:\backup directory.

Note

Each database supports only eight incremental-enabled backups.

See also

[ttRestore](#)

"ttBackup" and "ttRestore" utilities in *Oracle TimesTen In-Memory Database Reference*

ttDestroyDataStore

Description

Destroys a database, including all checkpoint files, transaction logs and daemon catalog entries corresponding to the database specified by the connection string. It does not delete the DSN itself defined in the `sys.odb.c.ini` or `user.odb.c.ini` file on the supported UNIX platforms or in Windows registry on the supported Windows platforms.

Required privilege

Instance administrator

Syntax

```
ttDestroyDataStore (ttUtilHandle handle, const char* connStr,
                    unsigned int timeout)
```

Parameters

Parameter	Type	Description
<i>handle</i>	ttUtilHandle	Specifies the TimesTen utility library environment handle allocated using ttUtilAllocEnv .
<i>connStr</i>	const char*	This is a null-terminated string specifying the connection string that describes the database to be destroyed. All attributes in this connection string, except the DSN and the DataStore attribute, are ignored.
<i>timeout</i>	unsigned int	Specifies the number of times to retry before returning to the caller. <code>ttDestroyDataStore</code> continually retries the destroy operation every second until it is successful or the timeout is reached. This is useful in those situations where the destroy fails due to some temporary condition, such as when the database is in use. No retry is performed if this parameter value is 0.

Example

This example destroys a database defined by the `payroll` DSN, consisting of files `C:\dsns\payroll.ds0`, `C:\dsns\payroll.ds1`, and several transaction log files `C:\dsns\payroll.logn`.

```
char          errBuff [256];
int           rc;
unsigned int   retCode;
ttUtilErrType retType;
ttUtilHandle  utilHandle;
...
...
rc = ttDestroyDataStore (utilHandle, "DSN=payroll", 30);
if (rc == TTUTIL_SUCCESS)
    printf ("Datastore payroll successfully destroyed.\n");
else if (rc == TTUTIL_INVALID_HANDLE)
```



```
    printf ("TimesTen utility library handle is invalid.\n");
else
while ((rc = ttUtilGetError (utilHandle, 0, &retCode,
    &retType, errBuff, sizeof (errBuff), NULL)) !=
    TTUTIL_NODATA)
    {
    ...
    ...
    }
```

ttDestroyDataStoreForce

Description

Destroys a database, including all checkpoint files, transaction logs and daemon catalog entries corresponding to the database specified by the connection string. It does not delete the DSN itself defined in the `sys.odbcc.ini` or `user.odbcc.ini` file on the supported UNIX platforms or in the Windows registry on supported Windows platforms.

Required privilege

Instance administrator

Syntax

```
ttDestroyDataStoreForce (ttUtilHandle handle, const char* connstr,
                        unsigned int timeout)
```

Parameters

Parameter	Type	Description
<i>handle</i>	ttUtilHandle	Specifies the TimesTen utility library environment handle allocated using ttUtilAllocEnv .
<i>connStr</i>	const char*	This is a null-terminated string specifying the connection string that describes the database to be destroyed. All attributes in this connection string, except the DSN and the DataStore attribute, are ignored.
<i>timeout</i>	unsigned int	Specifies the number of seconds to retry before returning to the caller. The <code>ttDestroyDataStoreForce</code> utility continually retries the destroy operation every second until it is successful or the timeout is reached. This is useful when the destroy fails due to some temporary condition, such as when the database is in use. No retry is performed if this parameter value is 0.

Example

This example destroys a database defined by the `payroll` DSN, consisting of files `C:\dsns\payroll.ds0`, `C:\dsns\payroll.ds1`, and several transaction log files `C:\dsns\payroll.logn`.

```
char          errBuff [256];
int           rc;
unsigned int  retCode;
ttUtilErrType retType;
ttUtilHandle utilHandle;
...
...
rc = ttDestroyDataStoreForce (utilHandle, "DSN=payroll", 30);
if (rc == TTUTIL_SUCCESS)
    printf ("Datastore payroll successfully destroyed.\n");
else if (rc == TTUTIL_INVALID_HANDLE)
```

```
    printf ("TimesTen utility library handle is invalid.\n");
else
    while ((rc = ttUtilGetError (utilHandle, 0, &retCode,
                                &retType, errBuff, sizeof (errBuff), NULL)) !=
           TTUTIL_NODATA)
    {
        ...
        ...
    }
```

ttRamGrace

Description

Specifies the number of seconds the database specified by the connection string is kept in RAM by TimesTen after the last application disconnects from the database. TimesTen then unloads the database. This grace period can be set or reset at any time but is only in effect if the RAM policy is `TT_RAMPOL_INUSE`.

Required privilege

Instance administrator

Syntax

```
ttRamGrace (ttUtilHandle handle, const char* connStr, unsigned int seconds)
```

Parameters

Parameter	Type	Description
<i>handle</i>	ttUtilHandle	Specifies the TimesTen utility library environment handle allocated using ttUtilAllocEnv .
<i>connStr</i>	const char*	This is a null-terminated string specifying a connection string that describes the database for which the RAM grace period is set.
<i>seconds</i>	unsigned int	Specifies the number of seconds TimesTen keeps the database in RAM after the last application disconnects from the database. TimesTen then unloads the database.

Example

This example sets the RAM grace period of 10 seconds for the payroll DSN.

```
ttUtilHandle  utilHandle;  
int           rc;  
rc = ttRamGrace (utilHandle, "DSN=payroll", 10);
```

See also

[ttRamLoad](#)
[ttRamPolicy](#)
[ttRamUnload](#)

ttRamLoad

Description

Causes TimesTen to load the database specified by the connection string into the system RAM. For a permanent database, a call to `ttRamLoad` is valid only when `RamPolicy` is set to `TT_RAMPOL_MANUAL`. For a temporary database, a call to `ttRamLoad` loads the database into RAM.

Refer to "ttRamPolicySet" in *Oracle TimesTen In-Memory Database Reference* or to [ttRamPolicy](#) for related information.

Required privilege

Instance administrator

Syntax

```
ttRamLoad (ttUtilHandle handle, const char* connStr)
```

Parameters

Parameter	Type	Description
<code>handle</code>	<code>ttUtilHandle</code>	Specifies the TimesTen utility library environment handle allocated using ttUtilAllocEnv .
<code>connStr</code>	<code>const char*</code>	This is a null-terminated string specifying a connection string that describes the database to be loaded into RAM.

Example

This example loads the database for the payroll DSN.

```
ttUtilHandle  utilHandle;
int           rc;
rc = ttRamLoad (utilHandle, "DSN=payroll");
```

See also

[ttRamGrace](#)
[ttRamPolicy](#)
[ttRamUnload](#)

ttRamPolicy

Description

Defines the policy used to determine when TimesTen loads the database specified by the connection string into the system RAM.

Required privilege

Instance administrator

Syntax

```
ttRamPolicy (ttUtilHandle handle, const char* connStr,
            ttRamPolicyType policy)
```

Parameters

Parameter	Type	Description
<i>handle</i>	ttUtilHandle	Specifies the TimesTen utility library environment handle allocated using ttUtilAllocEnv .
<i>connStr</i>	const char*	This is a null-terminated string specifying a connection string that describes the database for which the RAM policy is to be set.
<i>policy</i>	ttRamPolicyType	Specifies the policy used to determine when TimesTen loads the specified database into system RAM. Valid values are the following: <ul style="list-style-type: none"> TT_RAMPOL_ALWAYS: Specifies that the database should always remain in RAM. TT_RAMPOL_MANUAL: Specifies that the database can be loaded into RAM explicitly using either the ttRamLoad C function or the <code>ttAdmin -ramLoad</code> command. Similarly, the database can be unloaded from RAM explicitly by using ttRamUnload C function or using <code>ttAdmin -ramUnload</code> command. TT_RAMPOL_INUSE: Specifies that the database is to be loaded into RAM when an application wants to connect to the database. This RAM policy may be further modified using the ttRamGrace C function or using the <code>ttAdmin -ramGrace</code> command. <p>If you do not explicitly set the RAM policy for the specified database, the default RAM policy is TT_RAMPOL_INUSE.</p>

Example

This example sets the RAM policy to manual for the payroll DSN.

```
ttUtilHandle  utilHandle;
int           rc;
rc = ttRamPolicy (utilHandle, "DSN=payroll", TT_RAMPOL_MANUAL);
```

Note

The policy cannot be set for a temporary database.

See also

[ttRamGrace](#)

[ttRamLoad](#)

[ttRamUnload](#)

ttRamUnload

Description

Causes TimesTen to unload the database specified by the connection string from the system RAM if the TimesTen RAM policy is set to `manual`. For a permanent database, this call is valid only when RAM policy is set to `TT_RAMPOL_MANUAL`. For a temporary database, a call to `ttRamUnload` always tries to unload the database from RAM because RAM policy cannot be set for such a database.

Refer to "ttRamPolicySet" in *Oracle TimesTen In-Memory Database Reference* or to [ttRamPolicy](#) for related information.

Required privilege

Instance administrator

Syntax

```
ttRamUnload (ttUtilHandle handle, const char* connStr)
```

Parameters

Parameter	Type	Description
<i>handle</i>	ttUtilHandle	Specifies the TimesTen utility library environment handle allocated using ttUtilAllocEnv .
<i>connStr</i>	const char*	This is a null-terminated string specifying a connection string for the database to be unloaded from RAM.

Example

This example unloads the database from RAM for the payroll DSN.

```
ttUtilHandle  utilHandle;
int           rc;
rc = ttRamUnload (utilHandle, "DSN=payroll");
```

Notes

When using this function with a temporary database, TimesTen always attempts to unload the database.

See also

[ttRamGrace](#)
[ttRamLoad](#)
[ttRamPolicy](#)

ttRepDuplicateEx

Description

Creates a replica of a remote database on the local system. The process is initiated from the receiving local system. From there, a connection is made to the remote source database to perform the duplicate operation.

Notes:

- This utility has features to recover from a site failure by creating a disaster recovery (DR) read-only subscriber as part of the active standby pair replication scheme. See "Using a disaster recovery subscriber in an active standby pair" in *Oracle TimesTen In-Memory Database Replication Guide* for additional information.
 - If the database does not use cache groups, the following items discussed below are not relevant: `cacheuid` and `cachepwd` data structure elements; `TT_REPDUP_NOKEEPG`, `TT_REPDUP_RECOVERINGNODE`, `TT_REPDUP_INITCACHEDR`, and `TT_REPDUP_DEFERCACHEUPDATE` flag values.
 - There are elements in the `ttRepDuplicateExArg` structure that is a parameter of this utility, `localIP` and `remoteIP`, that allow you to optionally specify which local network interface to use, which remote network interface to use, or both.
-
-

Required privilege

Requires an instance administrator on the receiving local database (where `ttRepDuplicateEx` is called) and a user with `ADMIN` privilege on the remote source database. Create the internal user on the remote source store as necessary.

In addition, be aware of the following requirements to execute `ttRepDuplicateEx`:

- The operating system user name of the instance administrator on the receiving local database must be the same as the operating system user name of the instance administrator on the remote source database.
- When `ttRepDuplicateEx` is called, the `uid` and `pwd` data structure elements must specify the user name and password of the user with `ADMIN` privilege on the remote source database. This user name is used to connect to the remote source database to perform the duplicate operation.

Syntax

```
ttRepDuplicateEx (ttUtilHandle handle,
                 const char* destConnStr,
                 const char* srcDatabase,
                 const char* remoteHost,
                 ttRepDuplicateExArg* arg
                 )

typedef struct
{
    unsigned int size; /*set to size of(ttRepDuplicateExArg) */
    unsigned int flags;
    const char* uid;
```

```

const char* pwd;
const char* pwdcrypt;
const char* cacheuid;
const char* cachepwd;
const char* localHost;
int truncListLen;
const char** truncList;
int dropListLen;
const char** dropList;
int maxkbytesPerSec;
int remoteDaemonPort;
int nThreads4initDR;
const char* localIP
const char* remoteIP
int crsManaged;
/*new struct elements can only be added here at the end */
} ttRepDuplicateExArg

```

Parameters

Parameter	Type	Description
<i>handle</i>	ttUtilHandle	Specifies the TimesTen utility library environment handle allocated using ttUtilAllocEnv .
<i>destConnStr</i>	const char*	This is a null-terminated string specifying the connection string for a local database into which the replica of the remote database is created.
<i>srcDatabase</i>	const char*	This is a null-terminated string specifying the remote source database name. This name is the last component of the database path name.
<i>remoteHost</i>	const char*	This is a null-terminated string specifying the TCP/IP host name of the system where the remote source database is located.
<i>arg</i>	ttRepDuplicateExArg*	This is the address of the structure containing the desired ttRepDuplicateEx arguments. If NULL is passed in for <i>arg</i> or if the value of <i>arg</i> -> <i>size</i> is invalid, TimesTen returns error 12230, "Invalid argument value", and TTUTIL_ERROR.

Struct elements

The ttRepDuplicateExArg structure contains these elements:

Element	Type	Description
<i>size</i>	unsigned int	Size This must be set up to <i>sizeof</i> (ttRepDuplicateExArg).
<i>flags</i>	unsigned int	Bit-wise union of values chosen from the list in the table of flag values

Element	Type	Description
<i>uid</i>	const char*	User name of a user on the remote source database with ADMIN privileges This user name is used to connect to the remote source database to perform the duplicate operation.
<i>pwd</i>	const char*	Password associated with the user ID
<i>pwdcrypt</i>	const char*	Encrypted password associated with the user ID
<i>cacheuid</i>	const char*	Cache administration user ID
<i>cachepwd</i>	const char*	Cache administration user password
<i>localHost</i>	const char*	Null-terminated string specifying the TCP/IP host name of the local system This element is ignored if <i>remoteRepStart</i> is TT_FALSE. This explicitly identifies the local host. This parameter can be null, which is useful if the local host uses a nonstandard name such as an IP address.
<i>truncListLen</i>	int	Number of elements in the <i>truncList</i>
<i>truncList</i>	const char**	List of non-replicated tables to truncate after duplicate
<i>dropListLen</i>	int	Number of elements in <i>dropList</i>
<i>dropList</i>	const char**	List of non-replicated tables to drop after the duplicate operation
<i>maxkbytesPerSec</i>	int	Maximum kilobytes per second Setting this to a nonzero value specifies that the duplicate operation should not put more than <i>maxkbytesPerSec</i> kilobytes of data per second onto the network. Setting it to 0 or a negative number indicates that the duplicate operation should not attempt to limit its bandwidth.
<i>remoteDaemonPort</i>	int	Remote daemon port Setting this to 0 results in the daemon port number for the target database being set to the port number used for the daemon on the source database. This option cannot be used in duplicate operations for databases with automatic port configuration.
<i>nThreads4initDR</i>	int	Number of threads for initialization For the disaster recovery subscriber, this determines the number of threads used to initialize the Oracle database on the disaster recovery site. After the TimesTen database is copied to the disaster recovery system, the Oracle database tables are truncated and the data from the TimesTen cache groups is copied to the Oracle database on the disaster recovery system. Also see the TT_REPDUP_INITCACHEDR flag below.

Element	Type	Description
<i>localIP</i>	const char*	A null-terminated string specifying the alias or IP address (IPv4 or IPv6) of the local network interface to use for the duplicate operation. Set this to NULL if you do not want to specify the local network interface, in which case any compatible interface may be used.
<i>remoteIP</i>	const char*	A null-terminated string specifying the alias or IP address (IPv4 or IPv6) of the remote network interface to use for the duplicate operation. Set this to NULL if you do not want to specify the remote network interface, in which case any compatible interface may be used. Note: You can specify both <i>localIP</i> and <i>remoteIP</i> , or either one by itself, or neither.
<i>crsManaged</i>	int	For internal use This should be set to 0 (default).

The `ttRepDuplicateExArg flags` element is constructed from these values:

Value	Description
TT_REPDUP_NOFLAGS	Indicates no flags.
TT_REPDUP_COMPRESS	Enables compression of the data transmitted over the network for the duplicate operation.
TT_REPDUP_REPSTART	Directs <code>ttRepDuplicateEx</code> to set the replication state (with respect to the local database) in the remote database to the start state before the remote database is copied across the network. This ensures that all updates made after the duplicate operation are replicated from the remote database to the newly created or restored local database.
TT_REPDUP_RAMLOAD	Keeps the database in memory upon completion of the duplicate operation. It changes the RAM policy for the database to manual.
TT_REPDUP_DELXLA	Directs <code>ttRepDuplicateEx</code> to remove all the XLA bookmarks as part of the duplicate operation.
TT_REPDUP_NOKEEPG	Do not preserve the cache group definitions; <code>ttRepDuplicateEx</code> converts all cache group tables into regular tables. By default, cache group definitions are preserved.

Value	Description
TT_REPDUP_RECOVERINGNODE	Specifies that ttRepDuplicateEx is being used to recover a failed node for a replication scheme that has an AWT or autorefresh cache group. Do not specify TT_REPDUP_RECOVERINGNODE when rolling out a new or modified replication scheme to a node. If ttRepDuplicateEx cannot update metadata stored on the Oracle database and all incremental autorefresh cache groups are replicated, then updates to the metadata will be automatically deferred until the cache and replication agents are started.
TT_REPDUP_DEFERCACHEUPDATE	Forces the deferral of changes to metadata stored on the Oracle database until the cache and replication agents are started and the agents can connect to the Oracle database. Using this option can cause a full autorefresh if some incremental cache groups are not replicated or if ttRepDuplicateEx is being used for rolling out a new or modified replication scheme to a node.
TT_REPDUP_INITCACHEDR	Initializes disaster recovery. You must also specify <i>cacheuid</i> and <i>cachepwd</i> in the data structure. Also see <i>nThreads4initDR</i> in the data structure.

Example

This example creates a replica of a remote TimesTen DSN, `remote_payroll` with the database path name `C:\dsns\payroll`, to a local DSN `local_payroll`.

```
ttUtilHandle utilHandle;
int rc;
ttRepDuplicateExArg arg;

memset(&arg, 0, sizeof(arg));
arg.size = sizeof(ttRepDuplicateExArg);
arg.flags = TT_REPDUP_REPSTART | TT_REPDUP_DELXLA;
arg.localHost = "mylocalhost";
arg.uid="myuid";
arg.pwd="mypwd";
rc=ttRepDuplicateEx(utilHandle, "DSN=local_payroll", "payroll", "remotehost", &arg);
```

See also

The following built-in procedures are described in "Built-In Procedures" in *Oracle TimesTen In-Memory Database Reference*.

```
ttReplicationStatus
ttRepPolicySet
ttRepStop
ttRepSubscriberStateSet
ttRepSyncGet
ttRepSyncSet
```

ttRestore

Description

Restores a database specified by the connection string from a backup that has been created using the `ttBackup` C function or `ttBackup` utility. If the database already exists, `ttRestore` will not overwrite it.

For an overview of the TimesTen backup and restore facility, see "Migration, Backup, and Restoration" in *Oracle TimesTen In-Memory Database Installation Guide*.

Required privilege

Instance administrator

Syntax

```
ttRestore (ttUtilHandle handle, const char* connStr,
          ttRestoreType type, const char* backupDir,
          const char* baseName, ttUtFileHandle stream,
          unsigned intflags)
```

Parameters

Parameter	Type	Description
<i>handle</i>	ttUtilHandle	Specifies the TimesTen utility library environment handle allocated using <code>ttUtilAllocEnv</code> .
<i>connStr</i>	const char*	This is a null-terminated string specifying a connection string that describes the database to be restored.
<i>type</i>	ttRestoreType	Indicates whether the database is to be restored from a file or a stream backup. Valid values are the following: <ul style="list-style-type: none"> TT_RESTORE_FILE: The database is to be restored from a file backup located at the backup path specified by the <i>backupDir</i> and <i>baseName</i> parameters. TT_RESTORE_STREAM: The database is to be restored from a stream backup read from the given stream.
<i>backupDir</i>	const char*	For TT_RESTORE_FILE, specifies the directory where the backup files are stored. For TT_RESTORE_STREAM, this parameter is ignored.
<i>baseName</i>	const char*	For TT_RESTORE_FILE, specifies the file prefix for the backup files in the backup directory specified by the <i>backupDir</i> parameter. If NULL is specified, the file prefix for the backup files is the file name portion of the <code>DataStore</code> attribute of the database ODBC definition. For TT_RESTORE_STREAM, this parameter is ignored.

Parameter	Type	Description
<i>stream</i>	ttUtFileHandle	<p>For TT_RESTORE_STREAM, specifies the stream from which the backup is to be read.</p> <p>On UNIX, it is an integer file descriptor that can be read from using <code>read(2)</code>. Pass 0 to read the backup from <code>stdin</code>.</p> <p>On Windows, it is a handle that can be read from using <code>ReadFile</code>. Pass the result of <code>GetStdHandle(STD_INPUT_HANDLE)</code> to read from the standard input.</p> <p>For TT_RESTORE_FILE, this parameter is ignored. The application can pass <code>TTUTIL_INVALID_FILE_HANDLE</code> for this parameter.</p>
<i>flags</i>	unsigned int	This is reserved for future use. Set it to 0.

Example

This example restores the database for the payroll DSN from C:\backup.

```
ttUtilHandle  utilHandle;
int           rc;

rc = ttRestore (utilHandle, "DSN=payroll", TT_RESTORE_FILE,
               "c:\backup", NULL, TTUTIL_INVALID_FILE_HANDLE, 0);
```

See also

[ttBackup](#)

"ttBackup" and "ttRestore" utilities in *Oracle TimesTen In-Memory Database Reference*

ttUtilAllocEnv

Description

Allocates memory for a TimesTen utility library environment handle and initializes the TimesTen utility library interface for use by an application. An application must call `ttUtilAllocEnv` before calling any other TimesTen utility library function. In addition, an application should call `ttUtilFreeEnv` when it is done using the TimesTen utility library interface.

Required privilege

None

Syntax

```
ttUtilAllocEnv (ttUtilHandle* handle_ptr, char* errBuff,
               unsigned int buffLen, unsigned int* errLen)
```

Parameters

Parameter	Type	Description
<i>handle_ptr</i>	ttUtilHandle*	Specifies a pointer to storage where the TimesTen utility library environment handle is returned.
<i>errBuff</i>	char*	This is a user allocated buffer where error messages (if any) are returned. The returned error message is a null-terminated string. If the length of the error message exceeds <i>buffLen-1</i> , it is truncated to <i>buffLen-1</i> . If this parameter is null, <i>buffLen</i> is ignored and TimesTen does not return error messages to the calling application.
<i>buffLen</i>	unsigned int	Specifies the size of the buffer <i>errBuff</i> . If this parameter is 0, TimesTen does not return error messages to the calling application.
<i>errLen</i>	unsigned int*	This is a pointer to an unsigned integer where the actual length of the error message is returned. If it is NULL, this parameter is ignored.

Return codes

This utility returns the following code as defined in `ttutillib.h`.

Code	Description
TTUTIL_SUCCESS	Returned upon success.

Otherwise, it returns a TimesTen-specific error message as defined in `tt_errCode.h` and a corresponding error message in the buffer provided by the caller.

Example

This example allocates and initializes a TimesTen utility library environment handle with the name `utilHandle`.

```
char          errBuff [256];
```



```
int          rc;  
ttUtilHandle utilHandle;  
  
rc = ttUtilAllocEnv (&utilHandle, errBuff, sizeof(errBuff), NULL);
```

See also

[ttUtilFreeEnv](#)
[ttUtilGetError](#)
[ttUtilGetErrorCount](#)

ttUtilFreeEnv

Description

Frees memory associated with the TimesTen utility library handle.

An application must call `ttUtilAllocEnv` before calling any other TimesTen utility library function. In addition, an application should call `ttUtilFreeEnv` when it is done using the TimesTen utility library interface.

Required privilege

None

Syntax

```
ttUtilFreeEnv (ttUtilHandle handle, char* errBuff,
              unsigned int buffLen, unsigned int* errLen)
```

Parameters

Parameter	Type	Description
<i>handle</i>	ttUtilHandle	Specifies the TimesTen utility library environment handle allocated using <code>ttUtilAllocEnv</code> .
<i>errBuff</i>	char*	This is a user-allocated buffer where error messages are to be returned. The returned error message is a null-terminated string. If the length of the error message exceeds <i>buffLen</i> -1, it is truncated to <i>buffLen</i> -1. If this parameter is NULL, <i>buffLen</i> is ignored and TimesTen does not return error messages to the calling application.
<i>buffLen</i>	unsigned int	Specifies the size of the buffer <i>errBuff</i> . If this parameter is 0, TimesTen does not return error messages to the calling application.
<i>errLen</i>	unsigned int*	This is a pointer to an unsigned integer where the actual length of the error message is returned. If it is NULL, this parameter is ignored.

Return codes

This utility returns the following codes as defined in `ttutillib.h`.

Code	Description
TTUTIL_SUCCESS	Returned upon success.
TTUTIL_INVALID_HANDLE	Returned if an invalid utility library handle is specified.

Otherwise, it returns a TimesTen-specific error message as defined in `tt_errCode.h` and a corresponding error message in the buffer provided by the caller.

Example

This example frees a TimesTen utility library environment handle named `utilHandle`.

```
char          errBuff [256];
```

```
int          rc;  
ttUtilHandle utilHandle;  
  
rc = ttUtilFreeEnv (utilHandle, errBuff, sizeof(errBuff), NULL);
```

See also

[ttUtilAllocEnv](#)
[ttUtilGetError](#)
[ttUtilGetErrorCount](#)

ttUtilGetError

Description

Retrieves the errors and warnings generated by the last call to the TimesTen C utility library functions excluding [ttUtilAllocEnv](#) and [ttUtilFreeEnv](#).

Required privilege

None

Syntax

```
ttUtilGetError (ttUtilHandle handle, unsigned int errIndex,
               unsigned int* retCode, ttUtilErrType* retType,
               char* errbuff, unsigned int buffLen,
               unsigned int* errLen)
```

Parameters

Parameter	Type	Description
<i>handle</i>	ttUtilHandle	Specifies the TimesTen utility library environment handle allocated using ttUtilAllocEnv .
<i>errIndex</i>	unsigned int	Indicates error or warning record to be retrieved from the TimesTen utility library error array. Valid values are as follows: <ul style="list-style-type: none"> ■ 0: Retrieve the next record from the utility library error array. ■ 1...<i>n</i>: Retrieve the specified record from the utility library error array, where <i>n</i> is the error count returned by the ttUtilGetErrorCount call.
<i>retCode</i>	unsigned int*	Returns the TimesTen-specific error or warning codes as defined in <code>tt_errCode.h</code> .
<i>retType</i>	ttUtilErrType*	Indicates whether the returned message is an error or warning. The following are valid return values: <ul style="list-style-type: none"> ■ TTUTIL_ERROR ■ TTUTIL_WARNING
<i>errBuff</i>	char*	This is a user allocated buffer where error messages (if any) are to be returned. The returned error message is a null-terminated string. If the length of the error message exceeds <i>buffLen</i> -1, it is truncated to <i>buffLen</i> -1. If this parameter is NULL, <i>buffLen</i> is ignored and TimesTen does not return error messages to the calling application.
<i>buffLen</i>	unsigned int	Specifies the size of the buffer <i>errBuff</i> . If this parameter is 0, TimesTen does not return error messages to the calling application.
<i>errLen</i>	unsigned int*	A pointer to an unsigned integer where the actual length of the error message is returned. If it is NULL, TimesTen ignores this parameter.

Return codes

This utility returns the following codes as defined in `ttutillib.h`.

Code	Description
TTUTIL_SUCCESS	Returned upon success.
TTUTIL_INVALID_HANDLE	Returned if an invalid utility library handle is specified.
TTUTIL_NODATA	Returned if no error or warning information is retrieved.

Example

This example retrieves all error or warning information after calling `ttDestroyDataStore` for the DSN named `payroll`.

```
char          errBuff[256];
int           rc;
unsigned int  retCode;
ttUtilErrType retType;
ttUtilHandle  utilHandle;

rc = ttDestroyDataStore (utilHandle, "DSN=PAYROLL", 30);
if ((rc == TTUTIL_SUCCESS)
    printf ("Datastore payroll successfully destroyed.\n");
else if (rc == TTUTIL_INVALID_HANDLE)
    printf ("TimesTen utility library handle is invalid.\n");
else
    while ((rc = ttUtilGetError (utilHandle, 0,
                                &retCode, &retType, errBuff, sizeof (errBuff),
                                NULL)) != TTUTIL_NODATA)
        {
        ...
        ...
        }
```

Notes

Each of the TimesTen C functions can potentially generate multiple errors and warnings for a single call from an application. To retrieve all of these errors and warnings, the application must make repeated calls to `ttUtilGetError` until it returns `TTUTIL_NODATA`.

See also

[ttUtilAllocEnv](#)
[ttUtilFreeEnv](#)
[ttUtilGetErrorCount](#)

ttUtilGetErrorCount

Description

Retrieves the number of errors and warnings generated by the last call to the TimesTen C utility library functions, excluding `ttUtilAllocEnv` and `ttUtilFreeEnv`. Each of these functions can potentially generate multiple errors and warnings for a single call from an application. To retrieve all of these errors and warnings, the application must make repeated calls to `ttUtilGetError` until it returns `TTUTIL_NODATA`.

Required privilege

None

Syntax

```
ttUtilGetErrorCount (ttUtilHandle handle,
                    unsigned int* errCount)
```

Parameters

Parameter	Type	Description
<i>handle</i>	ttUtilHandle	Specifies the TimesTen utility library environment handle allocated using <code>ttUtilAllocEnv</code> .
<i>errCount</i>	unsigned int*	Indicates the number of errors and warnings generated by the last call, excluding <code>ttUtilAllocEnv</code> and <code>ttUtilFreeEnv</code> , to the TimesTen utility library.

Return codes

The utility returns the following codes as defined in `ttutillib.h`.

Code	Description
TTUTIL_SUCCESS	Returned upon success.
TTUTIL_INVALID_HANDLE	Returned if an invalid utility library handle is specified.

Example

This example retrieves the error and warning count information after calling `ttDestroyDataStore` for the DSN named `payroll`.

```
int          rc;
unsigned int  errCount;
ttUtilHandle utilHandle;

rc = ttDestroyDataStore (utilHandle, "DSN=payroll", 30);
if (rc == TTUTIL_SUCCESS)
    printf ("Datastore payroll successfully destroyed.\n")

else if (rc == TTUTIL_INVALID_HANDLE)
    printf ("TimesTen utility library handle is invalid.\n");
else
```

```
{
rc = ttUtilGetErrorCount(utilHandle, &errCount);
...
...
}
```

Notes

Each of the TimesTen utility library functions can potentially generate multiple errors and warnings for a single call from an application. To retrieve all of these errors and warnings, the application must make repeated calls to `ttUtilGetError` until it returns `TTUTIL_NODATA`.

See also

[ttUtilAllocEnv](#)
[ttUtilFreeEnv](#)
[ttUtilGetError](#)

ttXactIdRollback

Description

Rolls back the transaction indicated by the transaction ID that is specified. The intended user of `ttXactIdRollback` is the `ttXactAdmin` utility. However, programs that want to have a thread with the power to roll back the work of other threads must ensure that those threads call the `ttXactIdGet` built-in procedure before beginning work and put the results into a location known to the thread that wishes to roll back the transaction. (Refer to "ttXactIdGet" in *Oracle TimesTen In-Memory Database Reference*.)

Required privilege

ADMIN

Syntax

```
ttXactIdRollback (ttUtilHandle handle, const char* connStr,
                 const char* xactId)
```

Parameters

Parameter	Type	Description
<code>handle</code>	<code>ttUtilHandle</code>	Specifies the TimesTen utility library environment handle allocated using ttUtilAllocEnv .
<code>connStr</code>	<code>const char**</code>	Specifies the connection string of the database, which contains the transaction to be rolled back.
<code>xactId</code>	<code>const char*</code>	Indicates the transaction ID for the transaction to be rolled back.

Example

This example rolls back a transaction with the ID 3.4567 in the database named payroll.

```
char          errBuff [256];
int           rc;
unsigned int   retCode;
ttUtilErrType retType;
ttUtilHandle  utilHandle;
...
rc = ttXactIdRollback (utilHandle, "DSN=payroll", "3.4567");
if (rc == TTUTIL_SUCCESS)
    printf ("Transaction ID successfully rolled back.\n");
else if (rc == TTUTIL_INVALID_HANDLE)
    printf ("TimesTen utility library handle is invalid.\n");
else
    while ((rc = ttUtilGetError (utilHandle, 0, &retCode,
                                &retType, errBuff, sizeof (errBuff), NULL)) != TTUTIL_NODATA)
        {
            ...
        }
```

XLA Reference

This chapter provides reference information for the Transaction Log API (XLA) described in [Chapter 5, "XLA and TimesTen Event Management"](#). It includes the following topics:

- [About XLA functions](#)
- [Summary of XLA functions by category](#)
- [XLA function reference](#)
- [XLA replication function reference](#)
- [C data structures used by XLA](#)

About XLA functions

This section provides general information about XLA functions.

About return codes

All of the XLA API functions described in this chapter return a value of type `SQLRETURN`, which is defined by ODBC to have one of the following values:

- `SQL_SUCCESS`
- `SQL_SUCCESS_WITH_INFO`
- `SQL_NO_DATA_FOUND`
- `SQL_ERROR`

See "[Handling XLA errors](#)" on page 5-28 for information on handling XLA errors.

About parameter types (input, output, input/output)

In the function descriptions:

- All parameters are input-only unless otherwise indicated.
- Output parameters are prefixed with `OUT`.
- Input/output parameters are prefixed with `IN OUT`.

About results output by functions

Most routines in this API copy results to application buffers. Those few routines that produce pointers to buffers containing results are guaranteed as valid only until the next call with the same XLA handle.

Exceptions to this rule include the following.

- Buffers remain valid across calls to the [ttXlaError](#) function that supplies diagnostic information.
- Results returned by [ttXlaNextUpdate](#) remain valid until the next call to [ttXlaNextUpdate](#).
- For [ttXlaAcknowledge](#), if the application must retain access to the buffers for a longer time, it must copy the information from the buffer returned by XLA to an application-owned buffer.

Character string values in XLA are null-terminated, except for actual column values. Fixed-length CHAR columns are space-padded to their full length. VARCHAR columns have an explicit length encoded.

XLA uses the same data structures for both 32- and 64-bit platforms. The types `SQLINTEGER` and `SQLUBIGINT` are used to refer to 32- and 64-bit integers unambiguously. Issues of alignment and padding are addressed by filling the type definition so that each `SQLINTEGER` value is on a four-byte boundary and each `SQLUBIGINT` value is on an eight-byte boundary. For a description of storage requirements for other TimesTen data types, see "Understanding rows" in *Oracle TimesTen In-Memory Database Operations Guide*.

About required privileges

"[Access control impact on XLA](#)" on page 5-8 introduces the effects of TimesTen access control features on XLA functionality. Any XLA functionality requires the system privilege `XLA`.

Summary of XLA functions by category

As described in [Chapter 5, "XLA and TimesTen Event Management"](#), TimesTen XLA can be used to detect updates on a database or as a toolkit to build your own replication solution.

This section categorizes the XLA functions based on their use and provides a brief description of each function. It includes the following categories:

- [XLA core functions](#)
- [XLA data type conversion functions](#)
- [XLA replication functions](#)

XLA core functions

The following table lists all the XLA functions used in typical XLA operations, aside from data conversion functions which are listed separately below.

Function	Description
ttXlaAcknowledge	Acknowledges receipt of one or more transaction update records from the transaction log.
ttXlaClose	Closes the XLA handle opened by ttXlaPersistOpen .
ttXlaConvertCharType	Converts column data into the connection character set.
ttXlaDeleteBookmark	Deletes a transaction log bookmark.
ttXlaError	Retrieves error information.

Function	Description
ttXlaErrorRestart	Resets error stack information.
ttXlaGetColumnInfo	Retrieves information about all the columns in the table.
ttXlaGetLSN	Retrieves the log record identifier of the current bookmark for a database.
ttXlaGetTableInfo	Retrieves information about a table.
ttXlaGetVersion	Retrieves the current version of XLA.
ttXlaNextUpdate	Retrieves a batch of updates from TimesTen.
ttXlaNextUpdateWait	Retrieves a batch of updates from TimesTen. Will wait for a specified time if no updates are available in the transaction log.
ttXlaPersistOpen	Initializes a handle to a database to access the transaction log.
ttXlaSetLSN	Sets the log record identifier of the current bookmark for a database.
ttXlaSetVersion	Sets the XLA version to be used.
ttXlaTableByName	Finds the system and user table identifiers for a table given the table owner and name.
ttXlaTableStatus	Sets and retrieves XLA status for a table.
ttXlaTableVersionVerify	Checks whether the cached table definitions are compatible with the XLA record being processed.
ttXlaVersionColumnInfo	Retrieves information about the columns in a table for which a change update record must be processed.
ttXlaVersionCompare	Compares two XLA versions.

See ["Writing an XLA event-handler application"](#) on page 5-9 for a discussion on how to use most of these functions.

XLA data type conversion functions

The following table lists data type conversion functions.

Function	Description
ttXlaDateToODBCCType	Converts a <code>TTXLA_DATE_TT</code> value to an ODBC C value usable by applications.
ttXlaDecimalToCString	Converts a <code>TTXLA_DECIMAL_TT</code> value to a character string usable by applications.
ttXlaNumberToBigInt	Converts a <code>TTXLA_NUMBER</code> value to a <code>SQLBIGINT</code> C value usable by applications.
ttXlaNumberToCString	Converts a <code>TTXLA_NUMBER</code> value to a character string usable by applications.
ttXlaNumberToDouble	Converts a <code>TTXLA_NUMBER</code> value to a long floating point number value usable by applications.
ttXlaNumberToInt	Converts a <code>TTXLA_NUMBER</code> value to an integer usable by applications.
ttXlaNumberToSmallInt	Converts a <code>TTXLA_NUMBER</code> value to a <code>SQLSMALLINT</code> C value usable by applications.

Function	Description
ttXlaNumberToTinyInt	Converts a TTXLA_NUMBER value to a SQLCHAR C value usable by applications.
ttXlaNumberToUInt	Converts a TTXLA_NUMBER value to an unsigned integer usable by applications.
ttXlaOraDateToODBCTimeStamp	Converts a TTXLA_DATE value to an ODBC timestamp usable by applications.
ttXlaOraTimeStampToODBCTimeStamp	Converts a TTXLA_TIMESTAMP value to an ODBC timestamp usable by applications.
ttXlaRowidToCString	Converts a ROWID value to a character string value usable by applications.
ttXlaTimeToODBCCType	Converts a TTXLA_TIME value to an ODBC C value usable by applications.
ttXlaTimeStampToODBCCType	Converts a TTXLA_TIMESTAMP_TT value to an ODBC C value usable by applications.

For more information about XLA data types, see "[About XLA data types](#)" on page 5-7.

XLA replication functions

TimesTen replication as described in *Oracle TimesTen In-Memory Database Replication Guide* is sufficient for most customer needs; however, it is also possible to use XLA functions to replicate updates from one database to another. Implementing your own replication scheme on top of XLA in this way is fairly complicated, but can be considered if TimesTen replication is not feasible for some reason.

The following table lists functions used exclusively for XLA as a replication mechanism. (Reference information for these functions is in a separate section from other XLA functions, "[XLA replication function reference](#)" on page 9-52.)

Function	Description
ttXlaApply	Applies the update to the database associated with the XLA handle.
ttXlaCommit	Commits a transaction.
ttXlaGenerateSQL	Generates a SQL statement that expresses the effect of an update record.
ttXlaLookup	Looks for an update record for a table with a specific key value.
ttXlaRollback	Rolls back a transaction.
ttXlaTableCheck	Verifies that the named table in the table description received from the sending database is compatible with the receiving database.

See "[Using XLA as a replication mechanism](#)" on page 5-34 for a discussion on how to use these functions.

XLA function reference

This section provides reference information for XLA core functions and XLA data type conversion functions. The functions are listed in alphabetical order.

Note: Functions used exclusively for XLA as a replication mechanism are documented in a separate section, "[XLA replication function reference](#)" on page 9-52.

ttXlaAcknowledge

Description

This function is used to acknowledge that one or more records have been read from the transaction log by the [ttXlaNextUpdate](#) or [ttXlaNextUpdateWait](#) function.

After you make this call, the bookmark is reset so that you cannot reread any of the previously returned records. Call `ttXlaAcknowledge` only when messages have been completely processed.

Notes:

- The bookmark is only reset for the specified handle. Other handles in the system may still be able to access those earlier transactions.
 - The bookmark is reset even if there are no relevant update records to acknowledge.
-
-

Note that `ttXlaAcknowledge` is an expensive operation that should be used only as necessary. Calling `ttXlaAcknowledge` more than once per reading of the transaction log file does not reduce the volume of the transaction log since XLA only purges transaction logs a file at a time. To detect when a new transaction log file is generated, you can find out which log file a bookmark is in by examining the `purgeLSN` (represented by the `PURGELSNHIGH` and `PURGELSNLOW` values) for the bookmark in the system table `SYS.TRANSACTION_LOG_API`. You can then call `ttXlaAcknowledge` to purge the old transaction log files. (Note that you must have `ADMIN` or `SELECT ANY TABLE` privilege to view this table.)

The second purpose of `ttXlaAcknowledge` is to ensure that the XLA application does not see the acknowledged records if it were to connect to a previously used bookmark by calling the [ttXlaPersistOpen](#) function with the `XLAREUSE` option. If you intend to reuse a bookmark, call `ttXlaAcknowledge` to reset the bookmark position to the current record before calling [ttXlaClose](#).

See "[Retrieving update records from the transaction log](#)" on page 5-13 for a discussion about using this function.

Required privilege

XLA

Syntax

```
SQLRETURN ttXlaAcknowledge(ttXlaHandle_h handle)
```

Parameters

Parameter	Type	Description
<i>handle</i>	<code>ttXlaHandle_h</code>	Transaction log handle

Returns

Returns `SQL_SUCCESS` if call is successful. Otherwise, use [ttXlaError](#) to report the error.

Example

```
rc = ttXlaAcknowledge(xlahandle);
```

See also

[ttXlaNextUpdate](#)

[ttXlaNextUpdateWait](#)

ttXlaClose

Description

Closes an XLA handle that was opened by [ttXlaPersistOpen](#). See "[Terminating an XLA application](#)" on page 5-32 for a discussion about using this function.

Required privilege

XLA

Syntax

```
SQLRETURN ttXlaClose(ttXlaHandle_h handle)
```

Parameters

Parameter	Type	Description
<i>handle</i>	ttXlaHandle_h	ODBC handle for the database

Returns

Returns `SQL_SUCCESS` if call is successful. Otherwise, use [ttXlaError](#) to report the error.

To close the XLA handle opened in the previous example, use the following call:

```
rc = ttXlaClose(xlahandle);
```

See also

[ttXlaPersistOpen](#)

ttXlaConvertCharType

Description

Converts the column data indicated by the *colinfo* and *tup* parameters into the connection character set associated with the transaction log handle and places the result in a buffer.

Required privilege

XLA

Syntax

```
SQLRETURN ttXlaConvertCharType (ttXlaHandle_h handle,
                                ttXlaColDesc_t* colinfo,
                                void* tup,
                                void* buf,
                                size_t buflen)
```

Parameters

Parameter	Type	Description
<i>handle</i>	ttXlaHandle_h	Transaction log handle for the database
<i>colinfo</i>	ttXlaColDesc_t*	Pointer to the buffer that holds the column descriptions
<i>tup</i>	void*	Data to be converted
<i>buf</i>	void*	Location where the converted data is placed
<i>buflen</i>	size_t	Size of the buffer where the converted data is placed

Returns

Returns `SQL_SUCCESS` if call is successful. Otherwise, use [ttXlaError](#) to report the error.

ttXlaDateToODBCCType

Description

Converts a `TTXLA_DATE_TT` value to an ODBC C value usable by applications. See ["Converting complex data types"](#) on page 5-23 for a discussion about using this function.

Call this function only on a column of data type `TTXLA_DATE_TT`. The data type can be obtained from the `ttXlaColDesc_t` structure returned by the `ttXlaGetColumnInfo` function.

Required privilege

XLA

Syntax

```
SQLRETURN ttXlaDateToODBCCType(void* fromData,  
                                out DATE_STRUCT* returnData)
```

Parameters

Parameter	Type	Description
<i>fromData</i>	void*	Pointer to the date value returned from the transaction log
<i>returnData</i>	DATE_STRUCT*	Pointer to storage allocated to hold the converted date

Returns

Returns `SQL_SUCCESS` if call is successful. Otherwise, use [ttXlaError](#) to report the error.

ttXlaDecimalToCString

Description

Converts a `TTXLA_DECIMAL_TT` value to a string usable by applications. The scale and precision values can be obtained from the `ttXlaColDesc_t` structure returned by the `ttXlaGetColumnInfo` function. The `scale` parameter specifies the maximum number of digits after the decimal point. If the decimal value is larger than 1, the `precision` parameter should specify the maximum number of digits before and after the decimal point. If the decimal value is less than 1, `precision` equals `scale`.

Call this function only for a column of type `TTXLA_DECIMAL_TT`. The data type can be obtained from the `ttXlaColDesc_t` structure returned by the `ttXlaGetColumnInfo` function.

See "Converting complex data types" on page 5-23 for a discussion about using this function.

Required privilege

XLA

Syntax

```
SQLRETURN ttXlaDecimalToCString(void* fromData,
                                out char* returnData,
                                SQLSMALLINT precision,
                                SQLSMALLINT scale)
```

Parameters

Parameter	Type	Description
<code>fromData</code>	<code>void*</code>	Pointer to the decimal value returned from the transaction log
<code>returnData</code>	<code>char*</code>	Pointer to storage allocated to hold the converted string
<code>precision</code>	<code>SQLSMALLINT</code>	If <code>fromData</code> is greater than 1, the maximum number of digits before and after the decimal point If <code>fromData</code> is less than 1, same as <code>scale</code>
<code>scale</code>	<code>SQLSMALLINT</code>	Maximum number of digits after the decimal point

Returns

Returns `SQL_SUCCESS` if call is successful. Otherwise, use `ttXlaError` to report the error.

Example

This example assumes you have obtained the `offset`, `precision`, and `scale` values from a `ttXlaColDesc_t` structure and used the offset to obtain a decimal value, `pColVal`, in a row returned in a transaction log record.

```
char decimalData[50];
static ttXlaColDesc_t colDesc[255];
```

```
rc = ttXlaDecimalToCString(pColVal, (char*)&decimalData,  
                           colDesc->precision,  
                           colDesc->scale);
```

ttXlaDeleteBookmark

Description

Deletes the bookmark associated with the specified transaction log handle. After the bookmark has been deleted, it is no longer accessible and its identifier may be reused for another bookmark. The deleted bookmark is no longer associated with the database handle and the effect is the same as having opened the connection with the XLANONE option.

If the bookmark is in use, it cannot be deleted until it is no longer in use.

See ["Deleting bookmarks"](#) on page 5-31 for a discussion about using this function.

Notes:

- Do not confuse this with the TimesTen built-in procedure `ttXlaBookmarkDelete`, documented in *"ttXlaBookmarkDelete"* in *Oracle TimesTen In-Memory Database Reference*.
 - You cannot delete replicated bookmarks while the replication agent is running.
-
-

Required privilege

XLA

Syntax

```
SQLRETURN ttXlaDeleteBookmark(ttXlaHandle_h handle)
```

Parameters

Parameter	Type	Description
<i>handle</i>	ttXlaHandle_h	Transaction log handle

Returns

Returns `SQL_SUCCESS` if call is successful. Otherwise, use [ttXlaError](#) to report the error.

Example

Delete the bookmark for xlahandle:

```
rc = ttXlaDeleteBookmark(xlahandle);
```

See also

[ttXlaPersistOpen](#)
[ttXlaGetLSN](#)
[ttXlaSetLSN](#)

ttXlaError

Description

Reports details of any errors encountered from the previous call on the given transaction log handle. Multiple errors may be returned through subsequent calls to `ttXlaError`. The error stack is cleared following each call to a function other than `ttXlaError` itself and `ttXlaErrorRestart`.

See "[Handling XLA errors](#)" on page 5-28 for a discussion about using this function.

Required privilege

XLA

Syntax

```
SQLRETURN ttXlaError(ttXlaHandle_h handle,
                    out SQLINTEGER* errCode,
                    out char* errMessage,
                    SQLINTEGER maxLen,
                    out SQLINTEGER* retLen)
```

Parameters

Parameter	Type	Description
<i>handle</i>	ttXlaHandle_h	Transaction log handle for the database
<i>errCode</i>	SQLINTEGER*	Code of the error message to be copied into the <i>errMessage</i> buffer
<i>errMessage</i>	char*	Buffer to hold the error text
<i>maxLen</i>	SQLINTEGER	Maximum length of the <i>errMessage</i> buffer
<i>retLen</i>	SQLINTEGER*	Actual size of the error message

Returns

Returns `SQL_SUCCESS` if error information is returned, or `SQL_NO_DATA_FOUND` if no more errors are found in the error stack. If the *errMessage* buffer is not large enough, `ttXlaError` returns `SQL_SUCCESS_WITH_INFO`.

Example

There can be multiple errors on the error stack. This example shows how to read them all.

```
char message[100];
SQLINTEGER code;

for (;;) {
    rc = ttXlaError(xlahandle, &code, message, sizeof (message), &retLen);
    if (rc == SQL_NO_DATA_FOUND)
        break;
    if (rc == SQL_ERROR) {
        printf("Error in fetching error message\n");
        break;
    }
    else {
```

```
        printf("Error code %d: %s\n", code, message);  
    }  
}
```

Note

If you use multiple threads to access a TimesTen transaction log over a single XLA connection, TimesTen creates a latch to control concurrent access. If for some reason the latch cannot be acquired by a thread, the XLA function returns `SQL_INVALID_HANDLE`.

See also

[ttXlaErrorRestart](#)

ttXlaErrorRestart

Description

Resets the error stack so that an application can reread the errors. See "[Handling XLA errors](#)" on page 5-28 for a discussion about using this function.

Required privilege

XLA

Syntax

```
SQLRETURN ttXlaErrorRestart(ttXlaHandle_h handle)
```

Parameters

Parameter	Type	Description
<i>handle</i>	ttXlaHandle_h	Transaction log handle for the database

Returns

Returns `SQL_SUCCESS` if call is successful. Otherwise, use [ttXlaError](#) to report the error.

Example

```
rc = ttXlaErrorRestart(xlahandle);
```

See also

[ttXlaError](#)

ttXlaGetColumnInfo

Description

Retrieves information about all the columns in the table. Normally, the output parameter for number of columns returned, *nreturned*, is set to the number of columns returned in *colinfo*. The *systemTableID* or *userTableID* parameter describes the desired table. This call is serialized with respect to changes in the table definition.

See "[Obtaining column descriptions](#)" on page 5-18 for a discussion about using this function.

Required privilege

XLA

Syntax

```
SQLRETURN ttXlaGetColumnInfo(ttXlaHandle_h handle,
                             SQLUBIGINT systemTableID,
                             SQLUBIGINT userTableID,
                             out ttXlaColDesc_t* colinfo,
                             SQLINTEGER maxcols,
                             out SQLINTEGER* nreturned)
```

Parameters

Parameter	Type	Description
<i>handle</i>	ttXlaHandle_h	Transaction log handle for the database
<i>systemTableID</i>	SQLUBIGINT	System ID of table
<i>userTableID</i>	SQLUBIGINT	User ID of table
<i>colinfo</i>	ttXlaColDesc_t*	Pointer to the buffer large enough to hold a separate description for <i>maxcols</i> columns
<i>maxcols</i>	SQLINTEGER	Maximum number of columns that can be stored in the <i>colInfo</i> buffer If the table contains more than <i>maxcols</i> columns, an error is returned.
<i>nreturned</i>	SQLINTEGER*	Number of columns returned

Returns

Returns `SQL_SUCCESS` if call is successful. Otherwise, use [ttXlaError](#) to report the error.

Example

For this example, assume the following definitions:

```
ttXlaColDesc_t colinfo[20];
SQLUBIGINT systemTableID, userTableID;
SQLINTEGER ncols;
```

To get the description of up to 20 columns using the system table identifier, issue the following call:

```
rc = ttXlaGetColumnInfo(xlahandle, systemTableID, 0, colinfo, 20, &ncols);
```

Likewise, the user table identifier can be used:

```
rc = ttXlaGetColumnInfo(xlahandle, 0, userTableID, colinfo, 20, &ncols);
```

See "[ttXlaColDesc_t](#)" on page 9-76 for details and an example on how to access the column data in a returned row.

See also

- [ttXlaGetTableInfo](#)
- [ttXlaDecimalToCString](#)
- [ttXlaDateToODBCCType](#)
- [ttXlaTimeToODBCCType](#)
- [ttXlaTimeStampToODBCCType](#)

ttXlaGetLSN

Description

Returns the Current Read log record identifier for the connection specified by the transaction log handle. See ["How bookmarks work"](#) on page 5-4 for a discussion about using this function.

Required privilege

XLA

Syntax

```
SQLRETURN ttXlaGetLSN(ttXlaHandle_h handle,
                      out tt_XlaLsn_t* LSN)
```

Parameters

Parameter	Type	Description
<i>handle</i>	ttXlaHandle_h	Transaction log handle for the database
<i>LSN</i>	tt_XlaLsn_t*	Current Read log record identifier for the handle

Note: Be aware that `tt_XlaLsn_t`, particularly the `logFile` and `logOffset` fields, is used differently than in earlier releases, referring to log record identifiers rather than sequentially increasing LSNs. See the note in ["tt_XlaLsn_t"](#) on page 9-80.

Returns

Returns `SQL_SUCCESS` if call is successful. Otherwise, use [ttXlaError](#) to report the error.

Example

This example returns the Current Read log record identifier, `CurLSN`.

```
tt_XlaLsn_t CurLSN;

rc = ttXlaGetLSN(xlahandle, &CurLSN);
```

See also

[ttXlaSetLSN](#)

ttXlaGetTableInfo

Description

Retrieves information about the rows in the table (refer to the description of the [ttXlaTblDesc_t](#) data type.) If the *userTableID* parameter is nonzero, then it is used to locate the desired table. Otherwise, the *systemTableID* value is used to locate the table. If both are zero, an error is returned. The description is stored in the output parameter *tblinfo*. This call is serialized with respect to changes in the table definition.

Required privilege

XLA

Syntax

```
SQLRETURN ttXlaGetTableInfo(ttXlaHandle_h handle,
                            SQLUBIGINT systemTableID,
                            SQLUBIGINT userTableID,
                            out ttXlaTblDesc_t* tblinfo)
```

Parameters

Parameter	Type	Description
<i>handle</i>	ttXlaHandle_h	Transaction log handle for the database
<i>systemTableID</i>	SQLUBIGINT	System table ID
<i>userTableID</i>	SQLUBIGINT	User table ID
<i>tblinfo</i>	ttXlaTblDesc_t*	Row information

Returns

Returns `SQL_SUCCESS` if call is successful. Otherwise, use [ttXlaError](#) to report the error.

Example

For this example, assume the following definitions:

```
ttXlaTblDesc_t tabinfo;
SQLUBIGINT systemTableID, userTableID;
```

To get table information using a system identifier, find the system table identifier using [ttXlaTableByName](#) or other means and issue the following call:

```
rc = ttXlaGetTableInfo(xlahandle, systemTableID, 0, &tabinfo);
```

Alternatively, the table information can be retrieved using a user table identifier:

```
rc = ttXlaGetTableInfo(xlahandle, 0, userTableID, &tabinfo);
```

See also

[ttXlaGetColumnInfo](#)

ttXlaGetVersion

Description

This function is used in combination with [ttXlaSetVersion](#) to ensure XLA applications written for older versions of XLA operate on a new version. The configured version is typically the older version, while the actual version is the newer one.

The function retrieves the currently configured XLA version and stores it into *configuredVersion* parameter. The actual version of the underlying XLA is stored in *actualVersion*. Due to calls on [ttXlaSetVersion](#), the results in *configuredVersion* may vary from one call to the next, but the results in *actualVersion* remain the same.

See "[XLA basics](#)" on page 5-2 for a discussion about using this function.

Required privilege

XLA

Syntax

```
SQLRETURN ttXlaGetVersion(ttXlaHandle_h handle,
                          out ttXlaVersion_t* configuredVersion,
                          out ttXlaVersion_t* actualVersion)
```

Parameters

Parameter	Type	Description
<i>handle</i>	ttXlaHandle_h	Transaction log handle for the database
<i>configuredVersion</i>	ttXlaVersion_t*	Configured version of XLA
<i>actualVersion</i>	ttXlaVersion_t*	Actual version of XLA

Returns

Returns `SQL_SUCCESS` if call is successful. Otherwise, use [ttXlaError](#) to report the error.

Example

Assume the following directions for this example:

```
ttXlaVersion_t configured, actual;
```

To determine the current version configuration, use the following call:

```
rc = ttXlaGetVersion(xlahandle, &configured, &actual);
```

See also

[ttXlaVersionCompare](#)
[ttXlaSetVersion](#)

ttXlaNextUpdate

Description

This function fetches up to a specified maximum number of update records from the transaction log and returns the records associated with committed transactions to a specified buffer. The actual number of returned records is reported in the *nreturned* output parameter. This function requires a bookmark to be present in the database and to be associated with the connection used by the function.

Each call to `ttXlaNextUpdate` resets the bookmark to the last record read to enable the next call to `ttXlaNextUpdate` to return the next list of records.

See "[Retrieving update records from the transaction log](#)" on page 5-13 for a discussion about using this function.

Required privilege

XLA

Syntax

```
SQLRETURN ttXlaNextUpdate(ttXlaHandle_h handle,
                          out ttXlaUpdateDesc_t*** records,
                          SQLINTEGER maxrecords,
                          out SQLINTEGER* nreturned)
```

Parameters

Parameter	Type	Description
<i>handle</i>	ttXlaHandle_h	Transaction log handle for the database
<i>records</i>	ttXlaUpdateDesc_t***	Buffer to hold the completed transaction records
<i>maxrecords</i>	SQLINTEGER	Maximum number of records to be fetched
<i>nreturned</i>	SQLINTEGER*	Actual number of returned records, where 0 is returned if no update data is available

Returns

Returns `SQL_SUCCESS` if call is successful. Otherwise, use [ttXlaError](#) to report the error.

Example

This example retrieves up to 100 records and describes a loop in which each record can be processed:

```
ttXlaUpdateDesc_t** records;
SQLINTEGER nreturned;
SQLINTEGER i;

rc = ttXlaNextUpdate(xlahandle, &records, 100, &nreturned);
/* Check for errors; if none, process the records */
for (i = 0; i < nreturned; i++) {
    process(records[i]);
}
```

Notes

Updates are generated for all data definition statements, regardless of tracking status. Updates are generated for data update operations for all tracked tables associated with the bookmark.

In addition, updates are generated for certain special operations, including assigning application-level identifiers for tables and columns and changing a table's tracking status.

See also

[ttXlaNextUpdateWait](#)

[ttXlaAcknowledge](#)

ttXlaNextUpdateWait

Description

This is similar to the [ttXlaNextUpdate](#) function, with the addition of a *seconds* parameter that specifies the number of seconds to wait if no records are available in the transaction log. The actual number of seconds of wait time can be up to two seconds more than the specified *seconds* value.

Also see "[Retrieving update records from the transaction log](#)" on page 5-13.

Required privilege

XLA

Syntax

```
SQLRETURN ttXlaNextUpdateWait(ttXlaHandle_h handle,
                              out ttXlaUpdateDesc_t*** records,
                              SQLINTEGER maxrecords,
                              out SQLINTEGER* nreturned,
                              SQLINTEGER seconds)
```

Parameters

Parameter	Type	Description
<i>handle</i>	ttXlaHandle_h	Transaction log handle for the database
<i>records</i>	ttXlaUpdateDesc_t***	Buffer to hold the completed transaction records
<i>maxrecords</i>	SQLINTEGER	Maximum number of records to be fetched Note: The largest effective value is 1000 records.
<i>nreturned</i>	SQLINTEGER*	Actual number of records returned, where 0 is returned if no update data is available within the seconds wait period
<i>seconds</i>	SQLINTEGER	Number of seconds to wait if the log is empty

Returns

Returns `SQL_SUCCESS` if call is successful. Otherwise, use [ttXlaError](#) to report the error.

Example

This example retrieves up to 100 records and will wait for up to 60 seconds if there are no records available in the transaction log.

```
ttXlaUpdateDesc_t** records;
SQLINTEGER nreturned;
SQLINTEGER i;

rc = ttXlaNextUpdateWait(xlahandle, &records, 100, &nreturned, 60);
/* Check for errors; if none, process the records */
for (i = 0; i < nreturned; i++) {
    process(records[i]);
}
```


See also

[ttXlaNextUpdate](#)
[ttXlaAcknowledge](#)

ttXlaNumberToBigInt

Description

Converts a `TTXLA_NUMBER` value to a `SQLBIGINT` value usable by an application.

Call this function only for a column of type `TTXLA_NUMBER`. The data type can be obtained from the `ttXlaColDesc_t` structure returned by the `ttXlaGetColumnInfo` function.

Required privilege

XLA

Syntax

```
SQLRETURN ttXlaNumberToBigInt(void* fromData,
                               SQLBIGINT* bint)
```

Parameters

Parameter	Type	Description
<i>fromData</i>	void*	Pointer to the number value returned from the transaction log
<i>bint</i>	SQLBIGINT*	The <code>SQLBIGINT</code> value converted from the XLA number value

Returns

Returns `SQL_SUCCESS` if call is successful. Otherwise, use `ttXlaError` to report the error.

ttXlaNumberToCString

Description

Converts a `TTXLA_NUMBER` value to a character string usable by an application.

Call this function only for a column of type `TTXLA_NUMBER`. The data type can be obtained from the `ttXlaColDesc_t` structure returned by the `ttXlaGetColumnInfo` function.

Required privilege

XLA

Syntax

```
SQLRETURN ttXlaNumberToCString(ttXlaHandle_h handle,
                               void* fromData,
                               char* buf,
                               int buflen,
                               int* reslen)
```

Parameters

Parameter	Type	Description
<i>fromData</i>	void*	Pointer to the number value returned from the transaction log
<i>buf</i>	char*	Location where the converted data is placed
<i>buflen</i>	int	Size of the buffer where the converted data is placed
<i>reslen</i>	int*	Number of bytes that were written, assuming <i>buflen</i> is large enough (otherwise, the number of bytes that would have been written)

Returns

Returns `SQL_SUCCESS` if call is successful. Otherwise, use `ttXlaError` to report the error.

ttXlaNumberToDouble

Description

Converts a `TTXLA_NUMBER` value to a long floating point number value usable by applications.

Call this function only for a column of type `TTXLA_NUMBER`. The data type can be obtained from the `ttXlaColDesc_t` structure returned by the `ttXlaGetColumnInfo` function.

Required privilege

XLA

Syntax

```
SQLRETURN ttXlaNumberToDouble(void* fromData,  
                               double* dbl)
```

Parameters

Parameter	Type	Description
<i>fromData</i>	void*	Pointer to the number value returned from the transaction log
<i>dbl</i>	double*	The long floating point number value converted from the XLA number value

Returns

Returns `SQL_SUCCESS` if call is successful. Otherwise, use `ttXlaError` to report the error.

ttXlaNumberToInt

Description

Converts a `TTXLA_NUMBER` value to a `SQLINTEGER` value usable by an application.

Call this function only for a column of type `TTXLA_NUMBER`. The data type can be obtained from the `ttXlaColDesc_t` structure returned by the `ttXlaGetColumnInfo` function.

Required privilege

XLA

Syntax

```
SQLRETURN ttXlaNumberToInt(void* fromData,
                           SQLINTEGER* ival)
```

Parameters

Parameter	Type	Description
<i>fromData</i>	void*	Pointer to the number value returned from the transaction log
<i>ival</i>	SQLINTEGER*	The <code>SQLINTEGER</code> value converted from the XLA number value

Returns

Returns `SQL_SUCCESS` if call is successful. Otherwise, use `ttXlaError` to report the error.

ttXlaNumberToSmallInt

Description

Converts a `TTXLA_NUMBER` value to a `SQLSMALLINT` value usable by an application.

Call this function only for a column of type `TTXLA_NUMBER`. The data type can be obtained from the `ttXlaColDesc_t` structure returned by the `ttXlaGetColumnInfo` function.

Required privilege

XLA

Syntax

```
SQLRETURN ttXlaNumberToSmallInt(void* fromData,
                                SQLSMALLINT* smint)
```

Parameters

Parameter	Type	Description
<i>fromData</i>	void*	Pointer to the number value returned from the transaction log
<i>smint</i>	SQLSMALLINT*	The <code>SQLSMALLINT</code> value converted from the XLA number value

Returns

Returns `SQL_SUCCESS` if call is successful. Otherwise, use `ttXlaError` to report the error.

ttXlaNumberToTinyInt

Description

Converts a `TTXLA_NUMBER` value to a tiny integer value usable by an application.

Call this function only for a column of type `TTXLA_NUMBER`. The data type can be obtained from the `ttXlaColDesc_t` structure returned by the `ttXlaGetColumnInfo` function.

Required privilege

XLA

Syntax

```
SQLRETURN ttXlaNumberToTinyInt(void* fromData,
                               SQLCHAR* tiny)
```

Parameters

Parameter	Type	Description
<i>fromData</i>	void*	Pointer to the number value returned from the transaction log
<i>tiny</i>	SQLCHAR*	The tiny integer value converted from the XLA number value

Returns

Returns `SQL_SUCCESS` if call is successful. Otherwise, use `ttXlaError` to report the error.

ttXlaNumberToUInt

Description

Converts a `TTXLA_NUMBER` value to an unsigned integer value usable by an application.

Call this function only for a column of type `TTXLA_NUMBER`. The data type can be obtained from the `ttXlaColDesc_t` structure returned by the `ttXlaGetColumnInfo` function.

Required privilege

XLA

Syntax

```
SQLRETURN ttXlaNumberToInt(void* fromData,
                            SQLUIINTEGER* ival)
```

Parameters

Parameter	Type	Description
<i>fromData</i>	void*	Pointer to the number value returned from the transaction log
<i>ival</i>	SQLUIINTEGER*	The integer value converted from the XLA number value

Returns

Returns `SQL_SUCCESS` if call is successful. Otherwise, use `ttXlaError` to report the error.

ttXlaOraDateToODBCTimeStamp

Description

Converts a `TTXLA_DATE` value to an ODBC timestamp.

Call this function only for a column of type `TTXLA_DATE`. The data type can be obtained from the `ttXlaColDesc_t` structure returned by the `ttXlaGetColumnInfo` function.

Required privilege

XLA

Syntax

```
SQLRETURN ttXlaOraDateToODBCTimeStamp(void* fromData,
                                       TIMESTAMP_STRUCT* returnData)
```

Parameters

Parameter	Type	Description
<i>fromData</i>	void*	Pointer to the number value returned from the transaction log
<i>returnData</i>	TIMESTAMP_STRUCT*	ODBC timestamp value converted from the XLA Oracle DATE value

Returns

Returns `SQL_SUCCESS` if call is successful. Otherwise, use `ttXlaError` to report the error.

ttXlaOraTimeStampToODBCTimeStamp

Description

Converts a `TTXLA_TIMESTAMP` value to an ODBC timestamp.

Call this function only for a column of type `TTXLA_TIMESTAMP`. The data type can be obtained from the `ttXlaColDesc_t` structure returned by the `ttXlaGetColumnInfo` function.

Syntax

```
SQLRETURN ttXlaOraTimeStampToODBCTimeStamp(void* fromData,  
                                             TIMESTAMP_STRUCT* returnData)
```

Required privilege

XLA

Parameters

Parameter	Type	Description
<i>fromData</i>	void*	Pointer to the number value returned from the transaction log
<i>returnData</i>	TIMESTAMP_STRUCT*	ODBC timestamp value converted from the XLA Oracle <code>TIMESTAMP</code> value

Returns

Returns `SQL_SUCCESS` if call is successful. Otherwise, use `ttXlaError` to report the error.

ttXlaPersistOpen

Description

Initializes a transaction log handle to a database to enable access to the transaction log. The *hdbc* parameter is an ODBC connection handle to a database. Create only one XLA handle for each ODBC connection. After you have created an XLA handle on an ODBC connection, do not issue any other ODBC calls over the ODBC connection until it is closed by `ttXlaClose`.

The *tag* is a string that identifies the XLA bookmark (see ["About XLA bookmarks"](#) on page 5-4). The *tag* can identify a new bookmark, either non-replicated or replicated, or one that exists in the system, as specified by the *options* parameter. The *handle* parameter is initialized by this call and must be provided on each subsequent call to XLA.

Some actions can be done without a bookmark. When performing these types of actions, you can use the `XLANONE` option to access the transaction log without a bookmark. Actions that *cannot* be done without a bookmark are the following:

- `ttXlaAcknowledge`
- `ttXlaGetLSN`
- `ttXlaSetLSN`
- `ttXlaNextUpdate`
- `ttXlaNextUpdateWait`

Multiple applications can concurrently read from the transaction log. See ["Initializing XLA and obtaining an XLA handle"](#) on page 5-11 for a discussion about using this function.

When this function is successful, XLA sets the autocommit mode to off.

If this function fails but still creates a handle, the handle must be closed to prevent memory leaks.

Note: Space is allocated by this call. Call `ttXlaClose` to free space when you are done.

Required privilege

XLA

Syntax

```
SQLRETURN ttXlaPersistOpen(SQLHDBC hdbc,
                           SQLCHAR* tag,
                           SQLUIINTEGER options,
                           out ttXlaHandle_h* handle)
```

Parameters

Parameter	Type	Description
<i>hdbc</i>	SQLHDBC	ODBC handle for the database

Parameter	Type	Description
<i>tag</i>	SQLCHAR*	Identifier for the XLA bookmark This can be null, in which case <i>options</i> should be set to XLANONE. Maximum allowed length is 31.
<i>options</i>	SQLINTEGER	Bookmark options: <ul style="list-style-type: none"> ■ XLANONE: Connect without a bookmark. The <i>tag</i> field is ignored. ■ XLACREAT: Create a new non-replicated bookmark. Fails if a bookmark already exists. ■ XLAREPL: Create a new replicated bookmark. Fails if a bookmark already exists. ■ XLAREUSE: Associate with an existing bookmark (non-replicated or replicated). Fails if the bookmark does not exist.
<i>handle</i>	ttXlaHandle_h*	Transaction log handle returned by this call

Returns

Returns `SQL_SUCCESS` if call is successful. Otherwise, use [ttXlaError](#) to report the error.

Example

This example opens a transaction log, returns a handle named `xlahandle`, and creates a new non-replicated bookmark named `mybookmark`:

```
SQLHDBC hdbc;
ttXlaHandle_h xlahandle;

rc = ttXlaPersistOpen(hdbc, ( SQLCHAR*)mybookmark,
                     XLACREAT, &xlahandle);
```

Alternatively, create a new replicated bookmark as follows:

```
SQLHDBC hdbc;
ttXlaHandle_h xlahandle;

rc = ttXlaPersistOpen(hdbc, ( SQLCHAR*)mybookmark,
                     XLAREPL, &xlahandle);
```

Note

Multithreaded applications should create a separate XLA handle for each thread. If multiple threads must use the same XLA handle, use a mutex to serialize thread access to that XLA handle so that only one thread can execute an XLA operation at a time.

See also

[ttXlaClose](#)
[ttXlaDeleteBookmark](#)
[ttXlaGetLSN](#)
[ttXlaSetLSN](#)

ttXlaRowidToCString

Description

Converts a ROWID value to a string value usable by applications.

Required privilege

XLA

Syntax

```
SQLRETURN ttXlaRowidToCString(void* fromData, char* buf, int buflen)
```

Parameters

Parameter	Type	Description
<i>fromData</i>	void*	Pointer to the ROWID value returned from the transaction log
<i>buf</i>	char*	Pointer to storage allocated to hold the converted string
<i>buflen</i>	int	Length of the converted string

Returns

Returns `SQL_SUCCESS` if call is successful. Otherwise, use [ttXlaError](#) to report the error.

Example

```
char charbuf[18];
void* rowiddata;
/* ... */
rc = ttXlaRowidToCString(rowiddata, charbuf, sizeof(charbuf));
```

ttXlaSetLSN

Description

Sets the Current Read log record identifier for the database specified by the transaction handle. The specified *LSN* value should be returned from `ttXlaGetLSN`. It cannot be a user-created value and cannot be earlier than the current bookmark Initial Read log record identifier.

See "[About XLA bookmarks](#)" on page 5-4 for a discussion about using this function.

Required privilege

XLA

Syntax

```
SQLRETURN ttXlaSetLSN(ttXlaHandle_h handle,  
                      tt_XlaLsn_t* LSN)
```

Parameters

Parameter	Type	Description
<i>handle</i>	ttXlaHandle_h	Transaction log handle for the database
<i>LSN</i>	tt_XlaLsn_t*	New log record identifier for the handle

Note: Be aware that `tt_XlaLsn_t`, particularly the *logFile* and *logOffset* fields, is used differently than in earlier releases, referring to log record identifiers rather than sequentially increasing LSNs. See the note in "[tt_XlaLsn_t](#)" on page 9-80.

Returns

Returns `SQL_SUCCESS` if call is successful. Otherwise, use `ttXlaError` to report the error.

Example

This example sets the Current Read log record identifier to `CurLSN`.

```
tt_XlaLsn_t CurLSN;  
  
rc = ttXlaSetLSN(xlahandle, &CurLSN);
```

See also

[ttXlaGetLSN](#)

ttXlaSetVersion

Description

Sets the version of XLA to be used by the application. This version must be either the same as the version received from [ttXlaGetVersion](#) or from an earlier version.

See "XLA basics" on page 5-2 for a discussion about using this function.

Required privilege

XLA

Syntax

```
SQLRETURN ttXlaSetVersion(ttXlaHandle_h handle,
                          ttXlaVersion_t* version)
```

Parameters

Parameter	Type	Description
<i>handle</i>	ttXlaHandle_h	Transaction log handle for the database
<i>version</i>	ttXlaVersion_t*	Desired version of XLA

Returns

Returns `SQL_SUCCESS` if call is successful. Otherwise, use [ttXlaError](#) to report the error.

Example

To set the configured version to the value specified in `requestedVersion`, issue the following call:

```
rc = ttXlaSetVersion(xlahandle, &requestedVersion);
```

See also

[ttXlaVersionCompare](#)
[ttXlaGetVersion](#)

ttXlaTableByName

Description

Finds the system and user table identifiers for a table or materialized view by providing the owner and name of the table or view. See ["Specifying which tables to monitor for updates"](#) on page 5-11 for a discussion about using this function.

Required privilege

XLA

Syntax

```
SQLRETURN ttXlaTableByName(ttXlaHandle_h handle,
                           char* owner,
                           char* name,
                           out SQLUBIGINT* sysTableID,
                           out SQLUBIGINT* userTableID)
```

Parameters

Parameter	Type	Description
<i>handle</i>	ttXlaHandle_h	Transaction log handle for the database
<i>owner</i>	char*	Owner for the table or view as a string
<i>name</i>	char*	Name of the table or view
<i>sysTableID</i>	SQLUBIGINT*	System table ID
<i>userTableID</i>	SQLUBIGINT*	User table ID

Returns

Returns `SQL_SUCCESS` if call is successful. Otherwise, use [ttXlaError](#) to report the error.

Example

To get the system and user table IDs associated with the table `PURCHASING.INVOICES`, use the following call:

```
SQLUBIGINT sysTableID;
SQLUBIGINT userTableID;

rc = ttXlaTableByName(xlahandle, "PURCHASING", "INVOICES",
                     &sysTableID, &userTableID);
```

See also

[ttXlaTableStatus](#)

ttXlaTableStatus

Description

Returns the update status for a table. Identify the table by specifying either a user ID (*userTableID*) or a system ID (*systemTableID*). If *userTableID* is nonzero, it is used to locate the table. Otherwise *systemTableID* is used. If both are zero, an error is returned.

Specifying a value for *newstatus* sets the update status to **newstatus*. A nonzero status means the table specified by *systemTableID* is available through XLA. Zero means the table is not tracked. Changes to table update status are effective immediately.

Updates to a table are tracked only if update tracking was enabled for the table at the time the update was performed. This call is serialized with respect to updates to the underlying table. Therefore, transactions that update the table run either completely before or completely after the change to table status.

To use `ttXlaTableStatus`, the user must be connected to a bookmark. The function reports inserts, updates, and deletes only to the bookmark that has subscribed to the table. It reports DDL events to all bookmarks. DDL events include `CREATAB`, `DROPTAB`, `CREAIND`, `DROPIND`, `CREATVIEW`, `DROPVIEW`, `CREATSEQ`, `DROPSEQ`, `CREATSYN`, `DROPSYN`, `ADDCOLS`, `DRPCOLS`, `TRUNCATE`, `SETTBL1`, and `SETCOL1` transactions. See ["ttXlaUpdateDesc_t"](#) on page 9-65 for information about these event types.

See ["Specifying which tables to monitor for updates"](#) on page 5-11 for a discussion about using this function.

Note: DML updates to a table being tracked through XLA will not prevent `ttXlaTableStatus` from running. However, DDL updates to the table being tracked, which take a lock on `SYS.TABLES`, will delay `ttXlaTableStatus` from running in serializable isolation against `SYS.TABLES`.

Required privilege

XLA

Syntax

```
SQLRETURN ttXlaTableStatus(ttXlaHandle_h handle,
                           SQLUBIGINT systemTableID,
                           SQLUBIGINT userTableID,
                           out SQLINTEGER* oldstatus,
                           SQLINTEGER* newstatus)
```

Parameters

Parameter	Type	Description
<i>handle</i>	ttXlaHandle_h	Transaction log handle for the database
<i>systemTableID</i>	SQLUBIGINT	System ID of table
<i>userTableID</i>	SQLUBIGINT	User ID of table

Parameter	Type	Description
<i>oldstatus</i>	SQLINTEGER*	XLA old status: <ul style="list-style-type: none"> ■ 1: On ■ 0: Off
<i>newstatus</i>	SQLINTEGER*	XLA new status: <ul style="list-style-type: none"> ■ 1: On ■ 0: Off

Returns

Returns `SQL_SUCCESS` if call is successful. Otherwise, use [ttXlaError](#) to report the error.

Example

The following examples assume that the system or user table identifiers are found using [ttXlaTableByName](#) or some other means.

Assume these declarations for the example:

```
SQLUBIGINT systemTableID;
SQLUBIGINT userTableID;
SQLINTEGER currentStatus, requestedStatus;
```

To find the status of a table given its system table identifier, use the following call:

```
/* Get system table identifier into systemTableID, then ... */
rc = ttXlaTableStatus(xlahandle, systemTableID, 0,
                    &currentStatus, NULL);
```

The *currentStatus* value will be nonzero if update tracking for the table is enabled, or zero otherwise.

To enable update tracking for a table given a system table identifier, set the requested status to 1 as follows:

```
requestedStatus = 1;

rc = ttXlaTableStatus(xlahandle, systemTableID, 0,
                    NULL, &requestedStatus);
```

You can set a new update tracking status and retrieve the current status in a single call, as in the following example:

```
requestedStatus = 1;

rc = ttXlaTableStatus(xlahandle, systemTableID, 0,
                    &currentStatus, &requestedStatus);
```

The above call enables update tracking for a table by system table identifier and retrieves the prior update tracking status in the variable *currentStatus*.

All of these examples can be done using user table identifiers as well. To retrieve the update tracking status of a table through its user table identifier, use the following call:

```
/* Get system table identifier into userTableID, then ... */

rc = ttXlaTableStatus(xlahandle, 0, userTableID,
                    &currentStatus, NULL);
```

See also[ttXlaTableByName](#)

ttXlaTableVersionVerify

Description

Verifies that the cached table definitions are compatible with the XLA record being processed. Table definitions change only when the ALTER TABLE statement is used to add or remove columns.

You can monitor the XLA stream for XLA records of transaction type ADDCOLS and DRPCOLS to avoid the overhead of using this function. When an XLA record of transaction type ADDCOLS or DROPCOLS is encountered, refresh the table and column definitions. See ["Inspecting record headers and locating row addresses"](#) on page 5-15 for information about monitoring XLA records for transaction type.

Required privilege

XLA

Syntax

```
SQLRETURN ttXlaTableVersionVerify(ttXlaHandle_h handle
                                ttXlaTblVerDesc_t* table,
                                ttXlaUpdateDesc_t* record
                                out SQLINTEGER* compat)
```

Parameters

Parameter	Type	Description
<i>handle</i>	ttXlaHandle_h	Transaction log handle for the database
<i>table</i>	ttXlaTblVerDesc_t*	A cached table description
<i>record</i>	ttXlaUpdateDesc_t*	XLA record to be processed
<i>compat</i>	SQLINTEGER*	Compatibility information: <ul style="list-style-type: none"> ■ 1: Tables are compatible. ■ 0: Tables are not compatible.

Returns

Returns SQL_SUCCESS if cached table definition is compatible with the XLA record being processed. Otherwise, use [ttXlaError](#) to report the error.

Example

This example checks the compatibility of a table.

```
SQLINTEGER compat;
ttXlaTblVerDesc_t table;
ttXlaUpdateDesc_t* record;
/*
 * Get the desired table definitions into the variable "table"
 */
rc = ttXlaTableVersionVerify(xlahandle, &table, record, &compat);
if (compat) {
/*
 * Compatible
 */
}
}
```

```
else {  
  /*  
   * Not compatible or some other error occurred  
   * If not compatible, issue a call to ttXlaVersionTableInfo and  
   * ttXlaVersionColumnInfo to get the new definition.  
   */  
}
```

See also

[ttXlaVersionColumnInfo](#)
[ttXlaVersionTableInfo](#)

ttXlaTimeToODBCCType

Description

Converts a `TTXLA_TIME` value to an ODBC C value usable by applications. See ["Converting complex data types"](#) on page 5-23 for a discussion about using this function.

Call this function only for a column of type `TTXLA_TIME`. The data type can be obtained from the `ttXlaColDesc_t` structure returned by the `ttXlaGetColumnInfo` function.

Required privilege

XLA

Syntax

```
SQLRETURN ttXlaTimeToODBCCType (void* fromData,
                                out TIME_STRUCT* returnData)
```

Parameters

Parameter	Type	Description
<i>fromData</i>	void*	Pointer to the time value returned from the transaction log
<i>returnData</i>	TIME_STRUCT*	Pointer to storage allocated to hold the converted time

Returns

Returns `SQL_SUCCESS` if call is successful. Otherwise, use `ttXlaError` to report the error.

Example

This example assumes you have used the *offset* value returned in a `ttXlaColDesc_t` structure to obtain a time value, *pColVal*, from a row returned in a transaction log record.

```
TIME_STRUCT time;

rc = ttXlaTimeToODBCCType(pColVal, &time);
```

ttXlaTimeStampToODBCCType

Description

Converts a `TTXLA_TIMESTAMP_TT` value to an ODBC C value usable by applications. See ["Converting complex data types"](#) on page 5-23 for a discussion about using this function.

Call this function only for a column of type `TTXLA_TIMESTAMP_TT`. The data type can be obtained from the `ttXlaColDesc_t` structure returned by the `ttXlaGetColumnInfo` function.

Required privilege

XLA

Syntax

```
SQLRETURN ttXlaTimeStampToODBCCType(void* fromData,
                                     out TIMESTAMP_STRUCT* returnData)
```

Parameters

Parameter	Type	Description
<i>fromData</i>	void*	Pointer to the timestamp value returned from the transaction log
<i>returnData</i>	TIMESTAMP_STRUCT*	Pointer to storage allocated to hold the converted timestamp

Returns

Returns `SQL_SUCCESS` if call is successful. Otherwise, use [ttXlaError](#) to report the error.

Example

This example assumes you have used the *offset* value returned in a `ttXlaColDesc_t` structure to obtain a timestamp value, *pColVal*, from a row returned in a transaction log record.

```
TIMESTAMP_STRUCT timestamp;

rc = ttXlaTimeStampToODBCCType(pColVal, &timestamp);
```

ttXlaVersionColumnInfo

Description

Retrieves information about the columns in a table for which a change update XLA record must be processed.

Required privilege

XLA

Syntax

```
SQLRETURN ttXlaVersionColumnInfo(ttXlaHandle_h handle,
                                ttXlaUpdateDesc_t* record,
                                out ttXlaColDesc_t* colinfo,
                                SQLINTEGER maxcols,
                                out SQLINTEGER* nreturned)
```

Parameters

Parameter	Type	Description
<i>handle</i>	ttXlaHandle_h	Transaction log handle for the database
<i>record</i>	ttXlaUpdateDesc_t*	XLA record to be processed
<i>colinfo</i>	ttXlaColDesc_t*	A pointer to the buffer large enough to hold a description for <i>maxcols</i> columns
<i>maxcols</i>	SQLINTEGER	Maximum number of columns the table can have Note: If the table contains more than <i>maxcols</i> columns, an error is returned.
<i>nreturned</i>	SQLINTEGER*	Number of columns returned

Returns

Returns `SQL_SUCCESS` if call is successful. Otherwise, use [ttXlaError](#) to report the error.

Example

For this example, assume the following definitions:

```
ttXlaHandle_h xlahandle
ttXlaUpdateDesc_t* record;
ttXlaColDesc_t colinfo[20];
SQLINTEGER ncols;
```

The following call retrieves the description of up to 20 columns:

```
rc = ttXlaVersionColumnInfo(xlahandle, record, colinfo, 20, &ncols);
```


ttXlaVersionCompare

Description

Compares two XLA versions and returns the result.

Required privilege

XLA

Syntax

```
SQLRETURN ttXlaVersionCompare(ttXlaHandle_h handle,
                              ttXlaVersion_t* version1,
                              ttXlaVersion_t* version2,
                              out SQLINTEGER* comparison)
```

Parameters

Parameter	Type	Description
<i>handle</i>	ttXlaHandle_h	Transaction log handle for the database
<i>version1</i>	ttXlaVersion_t*	Version of XLA to compare with <i>version2</i>
<i>version2</i>	ttXlaVersion_t*	Version of XLA to compare with <i>version1</i>
<i>comparison</i>	SQLINTEGER*	Comparison result: <ul style="list-style-type: none"> ■ 0: Indicates <i>version1</i> and <i>version2</i> match. ■ -1: Indicates <i>version1</i> is earlier than <i>version2</i>. ■ +1: Indicates <i>version1</i> is later than <i>version2</i>.

Returns

Returns `SQL_SUCCESS` if call is successful. Otherwise, use [ttXlaError](#) to report the error.

Example

To compare the configured version against the actual version of XLA, issue the following call:

```
ttXlaVersion_t configured, actual;
SQLINTEGER comparison;

rc = ttXlaGetVersion (xlahandle, &configured, &actual);
rc = ttXlaVersionCompare (xlahandle, &configured, &actual,
                          &comparison);
```

Notes

When connecting two systems with XLA-based replication, use the following protocol:

1. At the primary site, retrieve the XLA version using `ttXlaGetVersion`. Send this version information to the standby site.
2. At the standby site, retrieve the XLA version using `ttXlaGetVersion`. Use `ttXlaVersionCompare` to determine which version is earlier. The earlier version

number must be used to ensure proper operation between the two sites. Use `ttXlaSetVersion` to specify the version of the interface to use at the standby site. Send the earlier version number back to the primary site.

3. When the chosen version is received at the primary site, use `ttXlaSetVersion` to specify the version of XLA to use.

See also

[ttXlaGetVersion](#)
[ttXlaSetVersion](#)

ttXlaVersionTableInfo

Description

Retrieves the table definition for the change update record that must be processed. The table description is stored in the *tableinfo* output parameter.

Required privilege

XLA

Syntax

```
SQLRETURN ttXlaVersionTableInfo(ttXlaHandle_h handle,
                                ttXlaUpdateDesc_t* record,
                                out ttXlaTblVerDesc_t* tblinfo)
```

Parameters

Parameter	Type	Description
<i>handle</i>	ttXlaHandle_h	Transaction log handle for the database
<i>record</i>	ttXlaUpdateDesc_t*	XLA record to be processed
<i>tableinfo</i>	ttXlaTblVerDesc_t*	Information about table definition

Returns

Returns `SQL_SUCCESS` if call is successful. Otherwise, use [ttXlaError](#) to report the error.

Example

For this example, assume the following definitions:

```
ttXlaHandle_h xlahandle;
ttXlaUpdateDesc_t* record;
ttXlaTblVerDesc_t tabinfo;
```

The following call retrieves a table definition:

```
rc = ttXlaVersionTableInfo(xlahandle, record, &tabinfo);
```

XLA replication function reference

TimesTen replication as described in *Oracle TimesTen In-Memory Database Replication Guide* is sufficient for most customer needs; however, it is also possible to use XLA functions to replicate updates from one database to another. Implementing your own replication scheme on top of XLA in this way is fairly complicated, but can be considered if TimesTen replication is not feasible for some reason.

This section documents the functions that are exclusive to using XLA as a replication mechanism. Functions are listed in alphabetical order.

ttXlaApply

This function is part of XLA replication functionality and is not appropriate for use in a typical XLA application.

Description

Applies an update to the database associated with the transaction log handle. The return value indicates whether the update was successful. The return also shows if the update encountered a persistent problem. (To see whether the update encountered a transient problem such as a deadlock or timeout, you must call [ttXlaError](#) and check the error code.)

If the [ttXlaUpdateDesc_t](#) record is a transaction commit, the underlying database transaction is committed. No other transaction commits are performed by [ttXlaApply](#). If the parameter *test* is true, the "old values" in the update description are compared against the current contents of the database for record updates and deletions. If the old value in the update description does not match the corresponding row in the database, this function rejects the update and returns an `sb_ErrXlaTupleMismatch` error.

See "[Using XLA as a replication mechanism](#)" on page 5-34 for a discussion about using this function.

Note: [ttXlaApply](#) cannot be used if the table definition was updated since it was originally written to the transaction log. Unique key and foreign key constraints are checked at the row level rather than at the statement level.

Required privilege

ADMIN

Additional privileges may be required on the target database for the [ttXlaApply](#) operation. For example, to apply a `CREATETAB` (create table) record to the target database, you must have `CREATE TABLE` or `CREATE ANY TABLE` privilege, as appropriate.

Syntax

```
SQLRETURN ttXlaApply(ttXlaHandle_h handle,
                    ttXlaUpdateDesc_t* record,
                    SQLINTEGER test)
```

Parameters

Parameter	Type	Description
<i>handle</i>	<code>ttXlaHandle_h</code>	Transaction log handle for the database
<i>record</i>	<code>ttXlaUpdateDesc_t*</code>	Transaction to generate SQL statement
<i>test</i>	<code>SQLINTEGER</code>	Test for old values: <ul style="list-style-type: none"> ■ 1: Test on ■ 0: Test off

Returns

Returns `SQL_SUCCESS` if call is successful. Otherwise, use [ttXlaError](#) to report the error.

If `test` is 1 and `ttXlaApply` detects an update conflict, an `sb_ErrXlaTupleMismatch` error is returned.

Example

This example applies an update to a database without testing for the previous value of the existing record:

```
ttXlaUpdateDesc_t record;  
rc = ttXlaApply(xlahandle, &record, 0);
```

Note

When calling `ttXlaApply`, it is possible for the update to timeout or deadlock with concurrent transactions. In such cases, it is the application's responsibility to roll the transaction back and reapply the updates.

See also

[ttXlaCommit](#)
[ttXlaRollback](#)
[ttXlaLookup](#)
[ttXlaTableCheck](#)
[ttXlaGenerateSQL](#)

ttXlaCommit

This function is part of XLA replication functionality and is not appropriate for use in a typical XLA application.

Description

Commits the current transaction being applied on the transaction log handle. This routine commits the transaction regardless of whether the transaction has completed. You can call this routine to respond to transient errors (timeout or deadlock) reported by [ttXlaApply](#), which applies the current transaction if it does not encounter an error.

See "[Handling timeout and deadlock errors](#)" on page 5-37 for a discussion about using this function.

Required privilege

XLA

Syntax

```
SQLRETURN ttXlaCommit(ttXlaHandle_h handle)
```

Parameters

Parameter	Type	Description
<i>handle</i>	ttXlaHandle_h	Transaction log handle for the database

Returns

Returns `SQL_SUCCESS` if call is successful. Otherwise, use [ttXlaError](#) to report the error.

Example

```
rc = ttXlaCommit(xlahandle);
```

See also

[ttXlaApply](#)
[ttXlaRollback](#)
[ttXlaLookup](#)
[ttXlaTableCheck](#)
[ttXlaGenerateSQL](#)

ttXlaGenerateSQL

This function is part of XLA replication functionality and is not appropriate for use in a typical XLA application.

Note: This function does not currently work with LOB locators.

Description

Generates a SQL DML or DDL statement that expresses the effect of the update record. The generated statement is not applied to any database. Instead, the statement is returned in the given buffer, whose maximum size is specified by the *maxLen* parameter. The actual size of the buffer is returned in *actualLen*. For update and delete records, `ttXlaGenerateSQL` requires a primary key or a unique index on a non-nullable column to generate the correct SQL.

The generated SQL statement is encoded in the connection character set that is associated with the ODBC connection of the XLA handle.

Also see "[Replicating updates to a non-TimesTen database](#)" on page 5-38.

Required privilege

XLA

Syntax

```
SQLRETURN ttXlaGenerateSQL(ttXlaHandle_h handle,
                           ttXlaUpdateDesc_t* record,
                           out char* buffer,
                           SQLINTEGER maxLen,
                           out SQLINTEGER* actualLen)
```

Parameters

Parameter	Type	Description
<i>handle</i>	ttXlaHandle_h	Transaction log handle for the database
<i>record</i>	ttXlaUpdateDesc_t*	Record to be translated into SQL
<i>buffer</i>	char*	Location of the translated SQL statement
<i>maxLen</i>	SQLINTEGER	Maximum length of the buffer, in bytes
<i>actualLen</i>	SQLINTEGER*	Actual length of the buffer, in bytes

Returns

Returns `SQL_SUCCESS` if call is successful. Otherwise, use `ttXlaError` to report the error.

Example

This example generates the text of a SQL statement that is equivalent to the `UPDATE` expressed by an update record:

```
ttXlaUpdateDesc_t record;
char buffer[200];
```



```
/*  
 * Get the desired update record into the variable record.  
 */  
  
SQLINTEGER actualLength;  
  
rc = ttXlaGenerateSQL(xlahandle, &record, buffer, 200,  
                    &actualLength);
```

Note

The `ttXlaGenerateSQL` function cannot generate SQL statements for update records associated with a table that has been dropped or altered since the record was generated.

See also

[ttXlaApply](#)
[ttXlaCommit](#)
[ttXlaRollback](#)
[ttXlaLookup](#)
[ttXlaTableCheck](#)

ttXlaLookup

This function is part of XLA replication functionality and is not appropriate for use in a typical XLA application.

Description

This function looks for a record in the given table with key values according to the *keys* parameter. The formats of the *keys* and *result* records are the same as for ordinary rows. This function requires a primary key on the underlying table.

Required privilege

XLA

Syntax

```
SQLRETURN ttXlaLookup(ttXlaHandle_h handle,
                     ttXlaTableDesc_t* table,
                     void* keys,
                     out void* result,
                     SQLINTEGER maxsize,
                     out SQLINTEGER* retsize)
```

Parameters

Parameter	Type	Description
<i>handle</i>	ttXlaHandle_h	Transaction log handle for the database
<i>table</i>	ttXlaTblDesc_t*	Table to search
<i>keys</i>	void*	A record in the defined structure for the table Only those columns of the keys record that are part of the primary key for the table are examined.
<i>result</i>	void*	Where the located record is copied If no record exists with the matching key columns, an error is returned.
<i>maxsize</i>	SQLINTEGER	Size of the largest record that can fit into the result buffer
<i>retsize</i>	SQLINTEGER*	Actual size of the record

Returns

Returns `SQL_SUCCESS` if call is successful. Otherwise, use `ttXlaError` to report the error.

Example

This example looks up a record given a pair of integer key values. Before this call, *table* should describe the desired table and *keybuffer* contains a record with the key columns set.

```
char keybuffer[100];
char recbuffer[2000];
ttXlaTableDesc_t table;
```

```
SQLINTEGER recordSize;  
  
rc = ttXlaLookup(xlahandle, &table, keybuffer, rebuffer,  
                sizeof (rebuffer), &recordSize);
```

See also

[ttXlaApply](#)
[ttXlaCommit](#)
[ttXlaRollback](#)
[ttXlaTableCheck](#)
[ttXlaGenerateSQL](#)

ttXlaRollback

This function is part of XLA replication functionality and is not appropriate for use in a typical XLA application.

Description

Rolls back the current transaction being applied on the transaction log handle. You can call this routine to respond to transient errors (timeout or deadlock) reported by [ttXlaApply](#).

See "[Handling timeout and deadlock errors](#)" on page 5-37 for a discussion about using this function.

Required privilege

XLA

Syntax

```
SQLRETURN ttXlaRollback(ttXlaHandle_h handle)
```

Parameters

Parameter	Type	Description
<i>handle</i>	ttXlaHandle_h	Transaction log handle for the database

Returns

Returns `SQL_SUCCESS` if call is successful. Otherwise, use [ttXlaError](#) to report the error.

Example

```
rc = ttXlaRollback(xlahandle);
```

See Also

[ttXlaApply](#)
[ttXlaCommit](#)
[ttXlaLookup](#)
[ttXlaTableCheck](#)
[ttXlaGenerateSQL](#)

ttXlaTableCheck

This function is part of XLA replication functionality and is not appropriate for use in a typical XLA application.

Description

When using XLA as a replication mechanism, this function verifies that the named table in the `ttXlaTblDesc_t` structure received from a master database is compatible with a subscriber database or database associated with the transaction log handle. The `compat` parameter indicates whether the tables are compatible.

See ["Checking table compatibility between databases"](#) on page 5-35 for a discussion about using this function.

Required privilege

XLA

Syntax

```
SQLRETURN ttXlaTableCheck(ttXlaHandle_h handle,
                          ttXlaTblDesc_t* table,
                          ttXlaColDesc_t* columns,
                          out SQLINTEGER* compat)
```

Parameters

Parameter	Type	Description
<code>handle</code>	<code>ttXlaHandle_h</code>	Transaction log handle for the database
<code>table</code>	<code>ttXlaTblDesc_t*</code>	Table description
<code>columns</code>	<code>ttXlaColDesc_t*</code>	Column description for the table
<code>compat</code>	<code>SQLINTEGER*</code>	Compatibility information: <ul style="list-style-type: none"> ■ 1: Tables are compatible. ■ 0: Tables are not compatible.

Returns

Returns `SQL_SUCCESS` if call is successful. Otherwise, use `ttXlaError` to report the error.

Example

This example checks the compatibility of a table:

```
SQLINTEGER compat;
ttXlaTblDesc_t table;
ttXlaColDesc_t columns[20];
/*
 * Get the desired table and column definitions into
 * the variables "table" and "columns"
 */
rc = ttXlaTableCheck(xlahandle, &table, columns, &compat);
if (compat) {
    /* Compatible */
}
```

```
}  
else {  
    /*  
     * Not compatible or some other error occurred  
     */  
}
```

See also

[ttXlaApply](#)
[ttXlaCommit](#)
[ttXlaRollback](#)
[ttXlaLookup](#)
[ttXlaGenerateSQL](#)

C data structures used by XLA

This section describes the C data structures used by the XLA functions described in this chapter. These structures are defined in the following file:

```
install_dir/include/tt_xla.h
```

You must include this file when building your XLA application.

Table 9–1 Summary of C data structures

C data structure	Description
ttXlaNodeHdr_t	Describes the record type. Used at the beginning of records returned by XLA.
ttXlaUpdateDesc_t	Describes an update record.
ttXlaVersion_t	Describes XLA version information returned by ttXlaGetVersion .
ttXlaTblDesc_t	Describes table information returned by ttXlaGetTableInfo .
ttXlaTblVerDesc_t	Describes table version returned by ttXlaVersionTableInfo .
ttXlaColDesc_t	Describes table column information returned by ttXlaGetColumnInfo .
tt_LSN_t	Describes a log record identifier used by bookmarks. This structure is used by the ttXlaUpdateDesc_t structure.
tt_XlaLsn_t	Describes a log record identifier used by an XLA bookmark.

ttXlaNodeHdr_t

Most C data structures begin with a standard header that describes the data record type and length. The standard header has the type `ttXlaNodeHdr_t`.

This header has the following fields.

Field	Type	Description
<i>nodeType</i>	char	The type of record: <ul style="list-style-type: none">■ <code>TTXLANHVERSION</code>: Version■ <code>TTXLANHUPDATE</code>: Update■ <code>TTXLANHTABLEDESC</code>: Table description■ <code>TTXLANHCOLDESC</code>: Column description■ <code>TTXLANHSTATUS</code>: Status■ <code>TTXLANHINVALID</code>: Invalid
<i>byteOrder</i>	char	Byte order of the record: <ul style="list-style-type: none">■ "1": Big-endian■ "2": Little-endian
<i>length</i>	SQLINTEGER	Total length of record, including all attachments

ttXlaUpdateDesc_t

This structure describes an update operation to a single row (or *tuple*) in the database. Each update record returned by a [ttXlaNextUpdate](#) or [ttXlaNextUpdateWait](#) function begins with a fixed length `ttXlaUpdateDesc_t` header followed by zero to two rows from the database. The row data differs depending on the record type reported in the `ttXlaUpdateDesc_t` header:

- No rows are present in a COMMITONLY record.
- One row is present in INSERTTUP or DELETETUP.
- Two rows are present in an UPDATETUP record to report the row data before and after the update, respectively.
- Special format rows are present in CREATAB, DROPTAB, CREAIND, DROPIND, CREATVIEW, DROPVIEW, CREATESEQ, DROPSEQ, CREATSYN, DROPSYN, ADDCOLS, and DRPCOLS records, which are described in ["Special update data formats"](#) on page 9-68.

The *flags* field is a bit-map of special options for the record update.

The *connID* field identifies the ODBC connection handle that initiated the update. This value can be used to determine if updates came from the same connection.

A separate commit XLA record is generated when a call to the `ttApplicationContext` procedure is not followed by an operation that generates an XLA record. See ["Passing application context"](#) on page 5-39 for a description of the `ttApplicationContext` procedure.

Note

XLA cannot receive notification of the following:

- CREATE VIEW or DROP VIEW for a non-materialized view
- CREATE GLOBAL TEMPORARY TABLE or DROP TABLE for a temporary table

The only XLA records that can be generated from an ALTER TABLE operation are of the following types:

- ADDCOLS or DRPCOLS when columns are added or dropped
- CREAIND or DROPIND when a unique attribute of a column is modified

While sequence creates (CREATESEQ) and drops (DROPSEQ) are visible through XLA, sequence increments are not.

All deletes resulting from cascading deletes and aging are visible through XLA. The *flags* value (discussed in the following table) indicates when deletes are due to cascading or aging.

The fields of the update header defined by `ttXlaUpdateDesc_t` are as follows.

Field	Type	Description
<i>header</i>	ttXlaNodeHdr_t	Standard data header

Field	Type	Description
<i>type</i>	SQLUSMALLINT	Record type: <ul style="list-style-type: none">▪ CREATAB: Create table.▪ DROPTAB: Drop table.▪ CREAIND: Create index.▪ DROPIND: Drop index.▪ CREATVIEW: Create view.▪ DROPVIEW: Drop view.▪ CREATSEQ: Create sequence.▪ DROPSEQ: Drop sequence.▪ CREATSYN: Create synonym.▪ DROPSYN: Drop synonym.▪ ADDCOLS: Add columns.▪ DRPCOLS: Drop columns.▪ TRUNCATE: Truncate table.▪ INSERTTUP: Insert.▪ UPDATETUP: Update.▪ DELETETUP: Delete.▪ COMMITONLY: Commit.

Field	Type	Description														
<i>flags</i>	SQLUSMALLINT	<p>Special options on record update:</p> <ul style="list-style-type: none"> ▪ TT_UPDCOMMIT: Indicates that the update record is the last record for the transaction. (Implied commit.) ▪ TT_UPDFIRST: Indicates that the update record is the first record for the transaction. ▪ TT_UPDREPL: Indicates that this update was the result of a non-XLA TimesTen replicated update from another database. ▪ TT_UPDCOLS: Indicates the presence of a list following the last returned row that specifies which columns in the row were updated. The list consists of an array of SQLUSMALLINT values, the first of which is the number of columns that were updated, followed by the column numbers of the updated columns. For example, if the first and third columns are updated, the array is (2, 1, 3) or (2, 3, 1), depending on the UPDATE statement used. This array is in all UPDATETUP records. ▪ TT_UPDDEFAULT: Indicates that the update record (either a CREATAB or ADDCOLS) contains default column values. If set, the default columns are presented as an array of SQLUSMALLINT values followed by a string with all the default values concatenated. The number of SQLUSMALLINT values in the array equals the number of columns in the CREATAB or ADDCOLS record. ▪ TT_CASCDEL: Indicates that the XLA update was generated as part of a cascade delete operation. ▪ TT_AGING: Indicates that the XLA update was generated as part of an aging operation. <p>If the value of a specific column is 0, it indicates that column does not have a default value. The defaults for all nonzero values are concatenated in a string and are presented in order, with the array value indicating the length of the default value. For example, three columns with defaults 1 of type INTEGER, no default, and "apple" of type VARCHAR2(10) is (1,0,5)"1apple".</p> <p>Decimal values for each of these <i>flags</i> bits is as follows. (Note that some flag values are for internal use only.)</p> <table border="0"> <tr><td>TT_UPDCOMMIT</td><td>1</td></tr> <tr><td>TT_UPDFIRST</td><td>2</td></tr> <tr><td>TT_UPDREPL</td><td>4</td></tr> <tr><td>TT_UPDCOLS</td><td>8</td></tr> <tr><td>TT_UPDDEFAULT</td><td>64</td></tr> <tr><td>TT_CASCDEL</td><td>256</td></tr> <tr><td>TT_AGING</td><td>512</td></tr> </table>	TT_UPDCOMMIT	1	TT_UPDFIRST	2	TT_UPDREPL	4	TT_UPDCOLS	8	TT_UPDDEFAULT	64	TT_CASCDEL	256	TT_AGING	512
TT_UPDCOMMIT	1															
TT_UPDFIRST	2															
TT_UPDREPL	4															
TT_UPDCOLS	8															
TT_UPDDEFAULT	64															
TT_CASCDEL	256															
TT_AGING	512															
<i>contextOffset</i>	SQLUIINTEGER	<p>Offset to application-provided context value</p> <p>This value is 0 if there is no context. A nonzero value indicates the location of the context relative to the beginning of the XLA record.</p>														
<i>connID</i>	SQLUBIGINT	Connection ID owning the transaction														
<i>sysTableID</i>	SQLUBIGINT	System-provided identifier of the affected table														

Field	Type	Description
<i>userTableID</i>	SQLUBIGINT	Application-defined table ID of the affected table
<i>tranID</i>	SQLUBIGINT	Read-only, system-provided transaction identifier
<i>LSN</i>	tt_LSN_t	Transaction log record identifier of this operation, used for diagnostics
<i>tuple1</i>	SQLUIINTEGER	Length of first row (tuple), or zero
<i>tuple2</i>	SQLUIINTEGER	Length of second row (tuple), or zero

Note: Be aware that [tt_LSN_t](#), particularly the *logFile* and *logOffset* fields, is used differently than in earlier releases, referring to log record identifiers rather than sequentially increasing LSNs. See the note in "[tt_LSN_t](#)" on page 9-79.

Special update data formats

The data contained in an update record follows the [ttXlaTblDesc_t](#) header. This section describes the data formats for the special update records related to specific SQL operations.

CREATE TABLE

For a `CREATE TABLE` operation, the special row value consists of the [ttXlaTblDesc_t](#) record describing the new table, followed by the [ttXlaColDesc_t](#) records that describe each column.

ALTER TABLE

For an `ALTER TABLE` operation, the special row value consists of a [ttXlaDropTableTup_t](#) or [ttXlaAddColumnTup_t](#) value, followed by a [ttXlaColDesc_t](#) record that describes the column.

ttXlaDropTableTup_t

For a `DROP TABLE` operation, the row value is as follows.

Field	Type	Description
<i>tblName</i>	char(31)	Name of the dropped table
<i>tblOwner</i>	char(31)	Owner of the dropped table

ttXlaTruncateTableTup_t

For a `TRUNCATE TABLE` operation, the row value is as follows.

Field	Type	Description
<i>tblName</i>	char(31)	Name of the truncated table
<i>tblOwner</i>	char(31)	Owner of the truncated table

ttXlaCreateIndexTup_t

For a `CREATE INDEX` operation, the row value is as follows.

Field	Type	Description
<i>tblName</i>	char (31)	Name of the table on which the index is defined
<i>tblOwner</i>	char (31)	Owner of the table on which the index is defined
<i>ixName</i>	char (31)	Name of the new index
<i>flag</i>	char (31)	Index flag: <ul style="list-style-type: none"> ■ "P": Primary key ■ "F": Foreign key ■ "R": Regular
<i>nixcols</i>	SQLINTEGER	Number of indexed columns
<i>ixColsSys</i>	SQLINTEGER(16)	Indexed column numbers using system numbers
<i>ixColsUser</i>	SQLINTEGER(16)	Indexed column numbers using user-defined column IDs
<i>ixType</i>	char	Type of index: <ul style="list-style-type: none"> ■ "T": Range ■ "H": Hash ■ "B": Bit map
<i>ixUnique</i>	char	Uniqueness of index: <ul style="list-style-type: none"> ■ "U": Unique ■ "N": Non-unique
<i>pages</i>	SQLINTEGER	Number of pages for hash indexes

ttXlaDropIndexTup_t

For a DROP INDEX operation, the row value is as follows.

Field	Type	Description
<i>tblName</i>	char (31)	Name of the table on which the index was dropped
<i>tblOwner</i>	char (31)	Owner of the table on which the index was dropped
<i>ixName</i>	char (31)	Name of the dropped index

ttXlaAddColumnTup_t

For an ADD COLUMN operation, the row value is as follows.

Field	Type	Description
<i>ncols</i>	SQLINTEGER	Number of additional columns

Following this special row are the ttXlaColDesc_t records describing the new columns.

ttXlaDropColumnTup_t

For a DROP COLUMN operation, the row value is as follows.

Field	Type	Description
<i>ncols</i>	SQLINTEGER	Number of dropped columns

Following this special row is an array of `ttXlaColDesc_t` records describing the columns that were dropped.

ttXlaCreateSeqTup_t

For a `CREATE SEQUENCE` operation, the row value is as follows.

Field	Type	Description
<i>sqName</i>	char (31)	Name of sequence
<i>sqOwner</i>	char (31)	Owner of sequence
<i>cycle</i>	char	Cycle flag Indicates whether the sequence number generator will continue to generate numbers after it reaches the maximum or minimum value: <ul style="list-style-type: none"> ▪ "1": Yes ▪ "0": No
<i>minval</i>	SQLBIGINT	Minimum value of sequence
<i>maxval</i>	SQLBIGINT	Maximum value of sequence
<i>incr</i>	SQLBIGINT	Increment between sequence numbers Positive numbers indicate an ascending sequence and negative numbers indicate a descending sequence. In a descending sequence, the range goes from <i>maxval</i> to <i>minval</i> . In an ascending sequence, the range goes from <i>minval</i> to <i>maxval</i> .

ttXlaDropSeqTup_t

For a `DROP SEQUENCE` operation, the row value is as follows.

Field	Type	Description
<i>sqName</i>	char (31)	Name of sequence
<i>sqOwner</i>	char (31)	Owner of sequence

ttXlaViewDesc_t

For a `CREATE VIEW` operation, the row value is as follows.

Note: This applies to either materialized or non-materialized views.

Field	Type	Description
<i>vwName</i>	char (31)	Name of view
<i>vwOwner</i>	char (31)	Owner of view
<i>sysTableID</i>	SQLUBIGINT	System table ID stored in <code>SYS.TABLES</code>

ttXlaDropViewTup_t

For a DROP VIEW operation, the row value is as follows.

Note: This applies to either materialized or non-materialized views.

Field	Type	Description
<i>vwName</i>	char (31)	Name of view
<i>vwOwner</i>	char (31)	Owner of view

ttXlaCreateSynTup_t

For a CREATE SYNONYM operation, the row value is as follows.

Field	Type	Description
<i>synName</i>	char (31)	Name of synonym
<i>synOwner</i>	char (31)	Owner of synonym
<i>objName</i>	char (31)	Name of object the synonym points to
<i>objOwner</i>	char (31)	Owner of object the synonym points to
<i>isPublic</i>	char	Indicates whether the synonym is public: <ul style="list-style-type: none"> ■ "1": True ■ "0": False
<i>isReplace</i>	char	Indicates whether the synonym was created using CREATE OR REPLACE: <ul style="list-style-type: none"> ■ "1": True ■ "0": False

ttXlaDropSynTup_t

For a DROP SYNONYM operation, the row value is as follows.

Field	Type	Description
<i>synName</i>	char (31)	Name of synonym
<i>synOwner</i>	char (31)	Owner of synonym
<i>isPublic</i>	char	Indicates whether the synonym is public: <ul style="list-style-type: none"> ■ "1": True ■ "0": False

ttXlaSetTableTup_t

The description of the SET TABLE ID operation uses the previously assigned application table identifier in the main part of the update record and provides the new value of the application table identifier in the following special row.

Field	Type	Description
<i>newID</i>	SQLUBIGINT	New user-defined table ID

ttXlaSetColumnTup_t

The description of the SET COLUMN ID operation provides the following special row:

Field	Type	Description
<i>oldUserColID</i>	SQLINTEGER	Previous user-defined column ID value
<i>newUserColID</i>	SQLINTEGER	New user-defined column ID value
<i>sysColID</i>	SQLINTEGER	System column ID

ttXlaSetStatusTup_t

A change in a table's replication status provides the following special row:

Field	Type	Description
<i>oldStatus</i>	SQLINTEGER	Previous replication status
<i>newStatus</i>	SQLINTEGER	New replication status

Locating the row data following a ttXlaUpdateDesc_t header

See "Retrieving update records from the transaction log" on page 5-13 and "Inspecting record headers and locating row addresses" on page 5-15 for a detailed discussion on obtaining update records and inspecting the contents of `ttXlaUpdateDesc_t` headers. Below is a summary of these procedures.

The update header is immediately followed by the row data. The row data is stored in an internal format with the offsets given in the `ttXlaColDesc_t` structure returned by `ttXlaGetColumnInfo`.

You can locate the address of the row data by adding the address of the update header to its size.

For example:

```
char* Row = (char*)&ttXlaUpdateDesc_t +
            sizeof(ttXlaUpdateDesc_t);
```

For UPDATETUP records, there are two rows of data following the `ttXlaUpdateDesc_t` header. The first row contains the data before the update, and the second row the data after the update.

Since the new row is right after the old row, you can calculate its address by adding the address of the old row to its length (`tuple1`).

For example:

```
char* oldRow = (char*)&ttXlaUpdateDesc_t +
              sizeof(ttXlaUpdateDesc_t);
char* newRow = oldRow + ttXlaUpdateDesc_t.tuple1;
```

See "`ttXlaColDesc_t`" on page 9-76 for details on how to access the column data in a returned row.

ttXlaVersion_t

To permit future extensions to XLA, a version structure `ttXlaVersion_t` describes the current XLA version and structure byte order. This structure is returned by the `ttXlaGetVersion` function.

This structure has the following fields:

Field	Type	Description
<i>header</i>	<code>ttXlaNodeHdr_t</code>	Standard data header
<i>hardware</i>	<code>char (16)</code>	Name of hardware platform
<i>wordSize</i>	<code>SQLUINTEGER</code>	Native word size (32 or 64)
<i>TTMajor</i>	<code>SQLUINTEGER</code>	TimesTen major version
<i>TTMinor</i>	<code>SQLUINTEGER</code>	TimesTen minor version
<i>TPPatch</i>	<code>SQLUINTEGER</code>	TimesTen point release number
<i>OS</i>	<code>char (16)</code>	Name of operating system
<i>OSMajor</i>	<code>SQLUINTEGER</code>	Operating system major version
<i>OSMinor</i>	<code>SQLUINTEGER</code>	Operating system minor version

ttXlaTblDesc_t

Table information is portrayed through the `ttXlaTblDesc_t` structure. This structure is returned by the `ttXlaGetTableInfo` function.

This structure has the following fields:

Field	Type	Description
<i>header</i>	<code>ttXlaNodeHdr_t</code>	Standard data header
<i>tblName</i>	<code>char (31)</code>	Name of the table, null-terminated
<i>tblOwner</i>	<code>char (31)</code>	Owner of the table, null-terminated
<i>sysTableID</i>	<code>SQLUBIGINT</code>	Unique system-defined table identifier
<i>userTableId</i>	<code>SQLUBIGINT</code>	User-defined table identifier
<i>columns</i>	<code>SQLUINTEGER</code>	Number of columns
<i>width</i>	<code>SQLUINTEGER</code>	Inline row size
<i>nPrimCols</i>	<code>SQLUINTEGER</code>	Number of primary columns
<i>primColsSys</i>	<code>SQLUINTEGER (16)</code>	System primary key column numbers
<i>primColsUser</i>	<code>SQLUINTEGER (16)</code>	User-defined primary key column numbers

The inline row size includes space for all fixed-width columns, null column flags, and pointer information for variable-length columns. Each varying-length column occupies four bytes of inline row space.

Note the following if the table has a declared primary key:

- The *nPrimCols* value is greater than 0.
- The *primColsSys* array contains the column numbers of the primary key, in the same order in which they were originally declared with the `CREATE TABLE` statement.
- The *primColsUser* array contains the corresponding application-specified column identifiers.

ttXlaTblVerDesc_t

This data structure contains the table version number and `ttXlaTblDesc_t`. It is returned by `ttXlaVersionTableInfo`. This structure has the following fields:

Field	Type	Description
<code>tblDesc</code>	<code>ttXlaTblDesc_t</code>	Table description
<code>tblVer</code>	SQLBIGINT	System-generated table version number

ttXlaColDesc_t

Column information is given through this structure, which is returned by the [ttXlaGetColumnInfo](#) function.

The structure has the following fields:

Field	Type	Description
<i>header</i>	ttXlaNodeHdr_t	Standard data header
<i>colName</i> [<i>tt_NameLenMax</i>]	char	Name of the column
<i>pad0</i>	SQLINTEGER	Pad to four-byte boundary
<i>sysColNum</i>	SQLINTEGER	Ordinal number of the column as determined when the table is created or subsequently altered This is the same as the corresponding COLNUM value in SYS.COLUMNS. (See "SYS.COLUMNS" in <i>Oracle TimesTen In-Memory Database System Tables and Views Reference</i> .)
<i>userColNum</i>	SQLINTEGER	Ordinal number of the column if optionally specified by the user This is zero or a column number specified through the <code>ttSetUserColumnID</code> TimesTen built-in procedure. (See "ttSetUserColumnID" in <i>Oracle TimesTen In-Memory Database Reference</i> .)
<i>dataType</i>	SQLINTEGER	Structure in ODBC TTXLA_* code See " About XLA data types " on page 5-7.
<i>size</i>	SQLINTEGER	Maximum or basic size of column
<i>offset</i>	SQLINTEGER	Offset to fixed-length part of column
<i>nullOffset</i>	SQLINTEGER	Offset to null byte, or zero if not nullable
<i>precision</i>	SQLSMALLINT	Numeric precision for decimal types
<i>scale</i>	SQLSMALLINT	Numeric scale for decimal types
<i>flags</i>	SQLINTEGER	Column flag: <ul style="list-style-type: none"> ■ TT_COLPRIMKEY: Column is primary key. ■ TT_COLVARYING: Column is stored out of line. ■ TT_COLNULLABLE: Column is nullable. ■ TT_COLUNIQUE: Column has a unique attribute defined on it.

The procedures for obtaining a `ttXlaColDesc_t` structure and inspecting its contents are described in "[Inspecting column data](#)" on page 5-17. Below is a summary of these procedures.

The `ttXlaColDesc_t` structure is returned by the `ttXlaGetColumnInfo` function. This structure contains the metadata needed to access column information in a particular

table. For example, you can use the *offset* field to locate specific column data in the row or rows returned in an update record after the `ttXlaColDesc_t` structure. By adding the *offset* to the address of a returned row, you can locate the address to the column value. You can then cast this value to the corresponding C types according to the *dataType* field, or pass it to one of the conversion routines described in ["Converting complex data types"](#) on page 5-23.

TimesTen row data consists of fixed-length data followed by any variable-length data.

- For fixed length column data, `ttXlaColDesc_t` returns the *offset* and *size* of the column data. The *offset* is relative to the beginning of the fixed part of the record. See [Example 9-1](#) below.
- For variable-length column data (`VARCHAR2`, `NVARCHAR2`, and `VARBINARY`), *offset* is an address that points to a four-byte offset value. By adding the offset address to the offset value, you can obtain the address of the column data in the variable-length portion of the row. The first *n* bytes at this location is the length of the data, followed by the actual data (where *n* is 4 on 32-bit platforms or 8 on 64-bit platforms). For variable-length data, the returned size value is the maximum allowable column size. See [Example 9-1](#) below.

For columns that can have null values, *nullOffset* points to a null byte in the record. This value is 1 if the column is null, or 0 if it is not null. See ["Detecting null values"](#) on page 5-25 for a discussion.

The *flags* bits define whether the column is nullable, part of a primary key, or stored out of line.

The *sysColNum* value is the system column number to assign to the column. This value begins with 1 for the first column.

Note: LOB support in XLA is limited, as follows:

- You can subscribe to tables containing LOB columns, but information about the LOB value itself is unavailable.
 - `ttXlaGetColumnInfo` returns information about LOB columns.
 - Columns containing LOBs are reported as empty (zero length) or null (if the value is actually NULL). In this way, you can tell the difference between a null column and a non-null column.
-
-

Example 9-1 Copying and printing a VARCHAR2 string

For fixed-length column data, the address of a column is the *offset* value in the `ttXlaColDesc_t` structure, plus the address of the row as follows:

```
ttXlaColDesc_t colDesc;

void* pColVal = colDesc->offset + row;
```

The value of the column can be obtained by dereferencing this pointer using a type pointer that corresponds to the data type. For example, for `SQL_INTEGER`, the ODBC type is `SQLINTEGER` and the value of the column can be obtained by the following:

```
*((SQLINTEGER*) pColVal)
```

In the case of variable-length column data, the *pColVal* calculated above is the address of a four-byte offset value. Adding this offset value to the address of *pColVal* provides a pointer to the beginning of the variable-length column data. Assuming the operation

is performed on a 64-bit platform, the first eight bytes at this location is the length of this data (`var_len`), followed by the actual data (`var_data`).

In this example, a `VARCHAR` string is copied and printed.

```
tt_pprint* var_len = (tt_pprint*)((char*)pColVal +
                               *((int*)pColVal));
char* var_data = (char*)(var_len+1);
char* buffer = malloc(*var_len+1);
memcpy(buffer,var_data,*var_len);
buffer[*var_len] = (char)NULL; /* NULL terminate the string */
printf("%s\n",buffer);
free(buffer);
```

tt_LSN_t

Description of log record identifier used by bookmarks. This structure is used by the [ttXlaUpdateDesc_t](#) structure.

Field	Type	Description
<i>logFile</i>	SQLUBIGINT	Higher order portion of log record identifier
<i>logOffset</i>	SQLUBIGINT	Lower order portion of log record identifier

Note: The *logFile* and *logOffset* field names are retained for backward compatibility, although their usage has changed. In previous releases the values referred to LSNs, which increased sequentially, and the values had very specific meanings, indicating the log file number plus byte offset. Now they refer to log record identifiers, which are more abstract and do not have a direct relationship to the log file number and byte offset. All you can assume about a sequence of log record identifiers is that a log record identifier B read at a later time than a log record identifier A will have a higher value.

tt_XlaLsn_t

Description of a log record identifier used by bookmarks. This structure is returned by the `ttXlaGetLSN` function and used by the `ttXlaSetLSN` function.

The *checksum* is specific to an XLA handle to ensure that every log record identifier is related to a known XLA connection.

Field	Type	Description
<i>checksum</i>	SQLUINTEGER	Checksum used to ensure that it is a valid log record identifier handle
<i>xid</i>	SQLUSMALLINT	Transaction ID
<i>logFile</i>	SQLUBIGINT	Higher order portion of log record identifier
<i>logOffset</i>	SQLUBIGINT	Lower order portion of log record identifier

Note: The *logFile* and *logOffset* field names are retained for backward compatibility, although their usage has changed. In previous releases the values referred to LSNs, which increased sequentially, and the values had very specific meanings, indicating the log file number plus byte offset. Now they refer to log record identifiers, which are more abstract and do not have a direct relationship to the log file number and byte offset. All you can assume about a sequence of log record identifiers is that a log record identifier B read at a later time than a log record identifier A will have a higher value.

TimesTen ODBC Functions and Options

This chapter covers the topics noted below, listing ODBC functions supported by TimesTen and options supported by TimesTen for set and get functions for statements and connections. For complete function definitions, refer to ODBC API reference documentation.

TimesTen supports ODBC 2.5, Extension Level 1, as well as Extension Level 2 features that are documented in this chapter.

- [Supported ODBC functions](#)
- [Option support for ODBC connection and statement functions](#)
- [Information type support for SQLGetInfo](#)
- [Column descriptor support for SQLColAttributes](#)

Supported ODBC functions

This section lists ODBC function supported by TimesTen, with special notes as applicable.

Table 10–1 *Supported ODBC functions*

Function	Notes for TimesTen
SQLAllocConnect	
SQLAllocEnv	
SQLAllocStmt	
SQLBindCol	
SQLBindParameter	See " SQLBindParameter function " on page 2-12.
SQLCancel	<p>SQLCancel can cancel the following:</p> <ul style="list-style-type: none"> ▪ An operation running on an <i>hstmt</i> on another thread ▪ An operation running on an <i>hstmt</i> that needs data <p>SQLCancel <i>cannot</i> cancel the following:</p> <ul style="list-style-type: none"> ▪ A global query <p>SQLCancel can cancel only on the local node.</p> <ul style="list-style-type: none"> ▪ In Memory Database Cache or cache grid administrative operations <p>Do not call SQLCancel directly from a signal handler. Such code may not be portable.</p>

Table 10–1 (Cont.) Supported ODBC functions

Function	Notes for TimesTen
SQLColAttributes and SQLColAttributesW	See "Column descriptor support for SQLColAttributes" on page 10-8.
SQLColumns and SQLColumnsW	
SQLConnect	
SQLDataSources and SQLDataSourcesW	Available only to programs using a driver manager.
SQLDescribeCol and SQLDescribeColW	
SQLDescribeParam	
SQLDisconnect	
SQLDriverConnect and SQLDriverConnectW	
SQLDrivers and SQLDriversW	Available only to programs using a driver manager.
SQLError and SQLErrorW	Native error codes are TimesTen errors. You may receive generic errors such as, "Execution at Oracle failed. Oracle error code <i>nnn</i> ."
SQLExecDirect	See the note for <code>SQLExecute</code> .
SQLExecute	TimesTen does not support asynchronous statement execution. (TimesTen does not support the <code>SQL_ASYNC_ENABLE</code> statement option, as noted later in this chapter.)
SQLFetch	
SQLForeignKeys and SQLForeignKeysW	
SQLFreeConnect	
SQLFreeEnv	
SQLFreeStmt	
SQLGetConnectOption and SQLGetConnectOptionW	See "Option support for SQLSetConnectOption and SQLGetConnectOption" on page 10-3.
SQLGetCursorName and SQLGetCursorNameW	You can set or get a cursor name but not reference it, such as in a <code>WHERE CURRENT OF</code> clause for a positioned update or delete. TimesTen does not support positioned update or delete statements.
SQLGetData	See "Avoid SQLGetData" on page 7-2.
SQLGetFunctions	
SQLGetInfo and SQLGetInfoW	See "Information type support for SQLGetInfo" on page 10-7.
SQLGetStmtOption	See "Option support for SQLSetStmtOption and SQLGetStmtOption" on page 10-5.
SQLGetTypeInfo and SQLGetTypeInfoW	
SQLNativeSql and SQLNativeSqlW	
SQLNumParams	
SQLNumResultCols	
SQLParamData	

Table 10–1 (Cont.) Supported ODBC functions

Function	Notes for TimesTen
SQLParamOptions	
SQLPrepare	
SQLPrimaryKeys and SQLPrimaryKeysW	
SQLProcedureColumns and SQLProcedureColumnsW	
SQLProcedures and SQLProceduresW	
SQLPutData	
SQLRowCount	In addition to its standard functionality, this has special usage with cache groups. See "Managing cache groups" on page 2-31.
SQLSetConnectOption and SQLSetConnectOptionW	See "Option support for SQLSetConnectOption and SQLGetConnectOption" under the next section.
SQLSetCursorName and SQLSetCursorNameW	You can set or get a cursor name but not reference it, such as in a WHERE CURRENT OF clause for a positioned update or delete.
SQLSetStmtOption	See "Option support for SQLSetStmtOption and SQLGetStmtOption" on page 10-5.
SQLSetParam	This is an ODBC 1.0 function, replaced by <code>SQLBindParameter</code> in ODBC 2.0. Retained for backward compatibility.
SQLSpecialColumns and SQLSpecialColumnsW	
SQLStatistics and SQLStatisticsW	
SQLTables and SQLTablesW	
SQLTransact	

Note: TimesTen supports only UTF-16 as a national character set.

Option support for ODBC connection and statement functions

This section discusses TimesTen option support for the ODBC functions `SQLSetConnectOption`, `SQLGetConnectOption`, `SQLSetStmtOption`, and `SQLGetStmtOption`.

Refer to ODBC API reference documentation for general information about these functions.

Option support for `SQLSetConnectOption` and `SQLGetConnectOption`

[Table 10–2](#) and [Table 10–3](#) document TimesTen support for standard and TimesTen-specific options for the ODBC `SQLSetConnectOption` and `SQLGetConnectOption` functions. These functions let you set connection options after the initial connection or retrieve those settings. Some of these correspond to connection attributes you can set during the connection process, as noted.

Also see "[Option support for SQLSetStmtOption and SQLGetStmtOption](#)" on page 10-5. Those options can also be set using `SQLSetConnectOption`, in which case the value serves as a default for all statements on the connection.

Notes:

- An option setting through `SQLSetConnectOption` or `SQLSetStmtOption` overrides the setting of the corresponding connection attribute (as applicable).
 - The documentation here also applies to `SQLSetConnectOptionW` and `SQLGetConnectOptionW`.
-
-

Table 10–2 Standard options: `SQLSetConnectOption`, `SQLGetConnectOption`

Option	Support
<code>SQL_ACCESS_MODE</code>	No
<code>SQL_AUTOCOMMIT</code>	Yes
<code>SQL_CURRENT_QUALIFIER</code>	No
<code>SQL_LOGIN_TIMEOUT</code>	No
<code>SQL_MAX_ROWS</code>	Yes
<code>SQL_NOSCAN</code>	Yes
<code>SQL_ODBC_CURSORS</code>	Yes, for programs using a driver manager
<code>SQL_OPT_TRACE</code>	Yes, for programs using a driver manager
<code>SQL_OPT_TRACEFILE</code>	Yes, for programs using a driver manager
<code>SQL_PACKET_SIZE</code>	No
<code>SQL_QUIET_MODE</code>	No
<code>SQL_TRANSLATE_DLL</code>	No
<code>SQL_TRANSLATE_OPTION</code>	No
<code>SQL_TXN_ISOLATION</code>	Yes, if <i>vParam</i> is <code>SQL_TXN_READ_COMMITTED</code> or <code>SQL_TXN_SERIALIZABLE</code> See " Prefetching multiple rows of data " on page 2-11. Also see "Concurrency control through isolation and locking" in <i>Oracle TimesTen In-Memory Database Operations Guide</i> . Same functionality as the <code>Isolation</code> general connection attribute, as described in "Isolation" in <i>Oracle TimesTen In-Memory Database Reference</i> .

Table 10–3 TimesTen options: `SQLSetConnectOption`, `SQLGetConnectOption`

Option	Comments
<code>TT_CLIENT_TIMEOUT</code>	This is for client/server only and has the same functionality as the <code>TTC_Timeout</code> TimesTen client connection attribute, as described in "TTC_Timeout" in <i>Oracle TimesTen In-Memory Database Reference</i> .

Table 10–3 (Cont.) TimesTen options: SQLSetConnectOption, SQLGetConnectOption

Option	Comments
TT_DYNAMIC_LOAD_ENABLE	See "Dynamic load configuration" in <i>Oracle In-Memory Database Cache User's Guide</i> . This has the same functionality as the <code>DynamicLoadEnable</code> IMDB Cache general connection attribute described in "DynamicLoadEnable" in <i>Oracle TimesTen In-Memory Database Reference</i> .
TT_DYNAMIC_LOAD_ERROR_MODE	See "Return dynamic load errors" in <i>Oracle In-Memory Database Cache User's Guide</i> . This has the same functionality as the <code>DynamicLoadErrorMode</code> IMDB Cache connection attribute described in "DynamicLoadErrorMode" in <i>Oracle TimesTen In-Memory Database Reference</i> .
TT-NLS_LENGTH_SEMANTICS	See " Setting globalization options " on page 2-31. This has the same functionality as the <code>NLS_LENGTH_SEMANTICS</code> general connection attribute described in "NLS_LENGTH_SEMANTICS" in <i>Oracle TimesTen In-Memory Database Reference</i> . There is also related information about the functionality in " Additional globalization features " on page 3-4.
TT-NLS_NCHAR_CONV_EXCP	See " Setting globalization options " on page 2-31. This has the same functionality as the <code>NLS_NCHAR_CONV_EXCP</code> general connection attribute described in "NLS_NCHAR_CONV_EXCP" in <i>Oracle TimesTen In-Memory Database Reference</i> . There is also related information about the functionality in " Additional globalization features " on page 3-4.
TT-NLS_SORT	See " Setting globalization options " on page 2-31. This has the same functionality as the <code>NLS_SORT</code> general connection attribute described in "NLS_SORT" in <i>Oracle TimesTen In-Memory Database Reference</i> . There is also related information about the functionality in " Additional globalization features " on page 3-4.
TT_PREFETCH_CLOSE	See "Enable <code>TT_PREFETCH_CLOSE</code> for Serializable transactions" in <i>Oracle TimesTen In-Memory Database Operations Guide</i> .
TT_REGISTER_FAILOVER_CALLBACK	See " Using automatic client failover in your application " on page 2-36.
TT_REPLICATION_TRACK	See " Features for use with replication " on page 2-32. This has the same functionality as the <code>ReplicationTrack</code> general connection attribute, to specify a track number for the connection in user-defined parallel replication.

Option support for SQLSetStmtOption and SQLGetStmtOption

Table 10–4 and Table 10–5 document TimesTen support for standard and TimesTen-specific options for the ODBC `SQLSetStmtOption` and `SQLGetStmtOption` functions, which let you set or retrieve statement option settings.

To set an option default value for all statements associated with a connection, use `SQLSetConnectOption`.

Notes: An option setting through `SQLSetConnectOption` or `SQLSetStmtOption` overrides the setting of the corresponding connection attribute (as applicable).

Table 10–4 Standard options: `SQLSetStmtOption`, `SQLGetStmtOption`

Option	Support
<code>SQL_ASYNC_ENABLE</code>	No
<code>SQL_BIND_TYPE</code>	No
<code>SQL_CONCURRENCY</code>	No
<code>SQL_CURSOR_TYPE</code>	No
<code>SQL_KEYSET_SIZE</code>	No
<code>SQL_MAX_LENGTH</code>	No <code>SQL_MAX_LENGTH</code> can be set, but any specified value will be overridden with 0 (return all available data).
<code>SQL_MAX_ROWS</code>	Yes
<code>SQL_NOSCAN</code>	Yes
<code>SQL_QUERY_TIMEOUT</code>	Yes See "Setting a timeout or threshold for executing SQL statements" on page 2-29.
<code>SQL_RETRIEVE_DATA</code>	No
<code>SQL_ROWSET_SIZE</code>	No
<code>SQL_SIMULATE_CURSOR</code>	No
<code>SQL_USE_BOOKMARKS</code>	No

Table 10–5 TimesTen options: `SQLSetStmtOption`, `SQLGetStmtOption`

Option	Comment
<code>TT_PREFETCH_COUNT</code>	See "Prefetching multiple rows of data" on page 2-11.
<code>TT_QUERY_THRESHOLD</code>	See "Setting a threshold duration for SQL statements" on page 2-30. This is to specify a time threshold for SQL statements, in seconds, after which TimesTen will write a warning to the support log and throw an SNMP trap.
<code>TT_PRIVATE_COMMANDS</code>	Commands are not shared with any other connection. See "PrivateCommands" in <i>Oracle TimesTen In-Memory Database Reference</i> .

Table 10–5 (Cont.) TimesTen options: SQLSetStmtOption, SQLGetStmtOption

Option	Comment
TT_STMT_PASSTHROUGH_TYPE	<p>Determines whether a specific prepared statement will be passed through to Oracle by the passthrough feature of IMDB Cache. The value returned by SQLGetStmtOption can be either TT_STMT_PASSTHROUGH_NONE or TT_STMT_PASSTHROUGH_ORACLE.</p> <p>Note: In TimesTen, this option is supported only with SQLGetStmtOption.</p> <p>See "Determining passthrough status" on page 2-31. Also see "Setting a passthrough level" in <i>Oracle In-Memory Database Cache User's Guide</i>.</p>

Information type support for SQLGetInfo

This section covers standard and TimesTen-specific information types supported by TimesTen for the ODBC function SQLGetInfo.

Refer to ODBC API reference documentation for general information about this function and standard information types.

TimesTen supports the following standard ODBC 2.x information types (in alphabetical order):

SQL_ACCESSIBLE_PROCEDURES, SQL_ACCESSIBLE_TABLES, SQL_ACTIVE_CONNECTIONS, SQL_ACTIVE_STATEMENTS, SQL_ALTER_TABLE, SQL_BOOKMARK_PERSISTENCE, SQL_COLUMN_ALIAS, SQL_CONCAT_NULL_BEHAVIOR, SQL_CONVERT_BIGINT, SQL_CONVERT_BINARY, SQL_CONVERT_BIT, SQL_CONVERT_CHAR, SQL_CONVERT_DATE, SQL_CONVERT_DECIMAL, SQL_CONVERT_DOUBLE, SQL_CONVERT_FLOAT, SQL_CONVERT_FUNCTIONS, SQL_CONVERT_INTEGER, SQL_CONVERT_LONGVARIABLE, SQL_CONVERT_LONGVARCHAR, SQL_CONVERT_NUMERIC, SQL_CONVERT_REAL, SQL_CONVERT_SMALLINT, SQL_CONVERT_TIME, SQL_CONVERT_TIMESTAMP, SQL_CONVERT_TINYINT, SQL_CONVERT_VARBINARY, SQL_CONVERT_VARCHAR, SQL_CONVERT_WVARCHAR, SQL_CORRELATION_NAME, SQL_CURSOR_COMMIT_BEHAVIOR, SQL_CURSOR_ROLLBACK_BEHAVIOR, SQL_DATA_SOURCE_NAME, SQL_DATA_SOURCE_READ_ONLY, SQL_DATABASE_NAME, SQL_DBMS_NAME, SQL_DBMS_VER, SQL_DEFAULT_TXN_ISOLATION, SQL_DRIVER_HDBC, SQL_DRIVER_HENV, SQL_DRIVER_HLIB, SQL_DRIVER_HSTMT, SQL_DRIVER_NAME, SQL_DRIVER_ODBC_VER, SQL_DRIVER_VER, SQL_EXPRESSIONS_IN_ORDERBY, SQL_FETCH_DIRECTION, SQL_FILE_USAGE, SQL_GETDATA_EXTENSIONS, SQL_GROUP_BY, SQL_IDENTIFIER_CASE, SQL_IDENTIFIER_QUOTE_CHAR, SQL_KEYWORDS, SQL_LIKE_ESCAPE_CLAUSE, SQL_LOCK_TYPES, SQL_MAX_BINARY_LITERAL_LEN, SQL_MAX_CHAR_LITERAL_LEN, SQL_MAX_COLUMN_NAME_LEN, SQL_MAX_COLUMNS_IN_GROUP_BY, SQL_MAX_COLUMNS_IN_INDEX, SQL_MAX_COLUMNS_IN_ORDER_BY, SQL_MAX_COLUMNS_IN_SELECT, SQL_MAX_COLUMNS_IN_TABLE, SQL_MAX_CURSOR_NAME_LEN, SQL_MAX_INDEX_SIZE, SQL_MAX_OWNER_NAME_LEN, SQL_MAX_PROCEDURE_NAME_LEN, SQL_MAX_QUALIFIER_NAME_LEN, SQL_MAX_ROW_SIZE, SQL_MAX_ROW_SIZE_INCLUDES_LONG, SQL_MAX_STATEMENT_LEN, SQL_MAX_TABLE_NAME_LEN, SQL_MAX_TABLES_IN_SELECT, SQL_MAX_USER_NAME_LEN, SQL_MULT_RESULT_SETS, SQL_MULTIPLE_ACTIVE_TXN, SQL_NEED_LONG_DATA_LEN, SQL_NON_NULLABLE_COLUMNS, SQL_NULL_COLLATION, SQL_NUMERIC_FUNCTIONS, SQL_ODBC_API_CONFORMANCE, SQL_ODBC_SAG_CLI_CONFORMANCE, SQL_ODBC_SQL_CONFORMANCE, SQL_ODBC_SQL_OPT_IEF, SQL_ODBC_VER, SQL_OJ_CAPABILITIES, SQL_ORDER_BY_COLUMNS_IN_SELECT, SQL_OUTER_JOINS, SQL_OWNER_TERM, SQL_OWNER_USAGE, SQL_POS_OPERATIONS, SQL_POSITIONED_STATEMENTS, SQL_PROCEDURE_TERM, SQL_PROCEDURES, SQL_QUALIFIER_LOCATION, SQL_QUALIFIER_NAME_SEPARATOR, SQL_QUALIFIER_TERM, SQL_QUALIFIER_USAGE, SQL_QUOTED_IDENTIFIER_CASE, SQL_ROW_UPDATES, SQL_SCROLL_CONCURRENCY, SQL_SCROLL_OPTIONS, SQL_SEARCH_PATTERN_ESCAPE, SQL_SERVER_NAME, SQL_SPECIAL_CHARACTERS,

SQL_STATIC_SENSITIVITY, SQL_STRING_FUNCTIONS, SQL_SUBQUERIES,
 SQL_SYSTEM_FUNCTIONS, SQL_TABLE_TERM, SQL_TIMEDATE_ADD_INTERVALS,
 SQL_TIMEDATE_DIFF_INTERVALS, SQL_TIMEDATE_FUNCTIONS, SQL_TXN_CAPABLE,
 SQL_TXN_ISOLATION_OPTION, SQL_UNION, SQL_USER_NAME

Note: SQL_DRIVER_HLIB is supported with a driver manager only.

TimesTen supports the following standard ODBC 3.x information types:

SQLAggregateFunctions, SQL_CONVERT_WCHAR, SQL_CONVERT_WLONGVARCHAR,
 SQL_CREATE_VIEW, SQL_DATETIME_LITERALS, SQL_DROP_VIEW,
 SQL_SQL92_RELATIONAL_JOIN_OPERATORS, SQL_SQL92_VALUE_EXPRESSIONS

Table 10–6 describes TimesTen-specific information types.

Table 10–6 TimesTen information items: SQLGetInfo

Information type	Data type	Description
TT_DATA_STORE_INVALID	SQLINTEGER	Returns 1 if the database is in invalid state, such as due to a system or application failure, or 0 if not. Note: Fatal errors, such as error 846 or 994, invalidate a TimesTen database, causing this item to be set to 1.
TT_DATABASE_CHARACTER_SET	SQLCHAR	Returns the name of the database character set.
TT_DATABASE_CHARACTER_SET_SIZE	SQLINTEGER	Returns the maximum size of a character in the database character set, in bytes.
TT_DATABASE_TYPE_MODE	SQLINTEGER	Returns 0 for Oracle type mode (typical and default setting), or 1 for TimesTen type mode (legacy setting). Note: The type mode can be specified through the TypeMode connection attribute.
TT_PLATFORM_INFO	Bit mask	Returns a bit mask indicating platform information. Bit 0 has the value 1 for a 64-bit platform, or the value 0 for a 32-bit platform. Bit 1 has the value 1 for big-endian, or the value 0 for little-endian.
TT_REPLICATION_INVALID	SQLINTEGER	Returns 1 if replication is in a failed state, or 0 if not.

Column descriptor support for SQLColAttributes

This section covers TimesTen-specific column descriptor information supported for the ODBC function SQLColAttributes.

Refer to ODBC API reference documentation for general information about this function and standard information types.

Table 10–7 describes TimesTen-specific column descriptors.

Table 10–7 TimesTen column descriptors: SQLColAttributes

Descriptor	Comment/description
TT_COLUMN_INLINE	Returns TRUE for columns with inline data, or FALSE otherwise. This is returned in the SQLColAttributes <i>pfDesc</i> parameter.
TT_COLUMN_LENGTH_SEMANTICS	For character-type columns, this returns "BYTE" for columns with byte length semantics and "CHAR" for columns with character length semantics. For non-character columns, it returns "". The information is returned in the SQLColAttributes <i>rgbDesc</i> parameter. This information refers to whether data length is measured in bytes or characters. Length semantics in TimesTen are the same as in Oracle Database. See "Length Semantics" in <i>Oracle Database Globalization Support Guide</i> for additional information.

A

access control

- connection attributes, 2-6
- for connections, 2-6
- impact on XLA, 5-8
- overview of impact, 2-33

acknowledge records have been read, XLA, 9-6

AIX, linking considerations, 1-4

allocating memory, utility library environment handle, 8-22

application context, passing, XLA, 5-39

applying database updates, XLA, 9-53

array binds--see associative array binds

associative array binds

- in OCI, 3-13
- in Pro*C, 4-9

AUTOCOMMIT with XA, 6-6

automatic client failover, 2-36

B

backing up a database, 8-2

batch SQL operations, 7-1

bind variable--see binding parameters

binding parameters

- associative array binds in OCI, 3-13
- associative array binds in Pro*C, 4-9
- duplicate parameters in OCI, 3-13
- duplicate parameters in PL/SQL, 2-18
- duplicate parameters in SQL, 2-16
- floating point data, 2-18
- input parameters, 2-14
- input/output parameters, 2-16
- output parameters, 2-15
- parameter type assignments and conversions, 2-13
- performance impact, 7-2
- precision, 2-12
- scale, 2-12
- SQL_WCHAR and SQL_WVARCHAR with driver manager, 2-18
- SQLBindParameter, 2-12

bookmarks--see XLA bookmarks

buildtms command, XA, 6-9

built-in procedures

calling TimesTen built-ins, 2-28

ttApplicationContext, 5-39, 9-65

ttXactIdGet, 8-30

bulk fetch, 2-11, 7-3

bulk insert, update, delete (batching), 7-1

C

C language functions--see Utility Library.

cache

autorefresh cache groups and XLA, 5-9

cache groups, cache instances affected, OCI, 3-19

cache groups, cache instances affected, ODBC, 2-31

get passthrough status, 2-31

Oracle password, specifying, OCI, 3-18

Oracle password, specifying, Pro*C/C++, 4-7

set passthrough level, 2-30

CALL

PL/SQL procedures and functions, 2-28

TimesTen built-in procedures, 2-28

character set

SQLGetInfo info type, 10-8

SQLGetInfo info type for size, 10-8

character set conversion, 2-31

client failover

automatic client failover, 2-36

configuration, 2-38

failover callback functions, 2-38

closing a transaction log API handle, XLA, 9-8

column data, inspecting, XLA, 5-17

committing a transaction

ODBC, 2-26

XLA, 9-55

compiling applications

OCI applications, 3-9

Pro*C/C++ applications, 4-5

UNIX, 1-4

Windows, 1-3

concurrency control, 10-4

connection attributes

first connection attributes, 2-6

general connection attributes, 2-6

connections

access control, 2-6

attributes, setting programmatically, 2-6

- connecting to database, 2-2
- disconnecting from database, 2-2
- external user (OCI), 3-11
- external user (Pro*C/C++), 4-8
- managing, 2-1
- OCI, connecting to database, 3-9
- Pro*C/C++, connecting to database, 4-6
- SQLConnect, SQLDriverConnect,
SQLAllocConnect, SQLDisconnect, 2-2
- SQLSetConnectOption and SQLGetConnectOption
supported options, 10-3

cursors

- REF CURSORS, 2-19
- usage, 2-8

D

data structures, XLA

- summary, 9-63
- tt_LSN_t, 9-79
- tt_XlaLsn_t, 9-80
- ttXlaColDesc_t, 9-76
- ttXlaNodeHdr_t, 9-64
- ttXlaTblDesc_t, 9-74
- ttXlaTblVerDesc_t, 9-75
- ttXlaUpdateDesc_t, 9-65
- ttXlaVersion_t, 9-73

data types

- conversions and performance, 7-3
- ODBC 2.0 versus ODBC 3.0 types, 2-33
- type mapping/conversion for parameter
binding, 2-13
- XLA, 5-7

database

- applying updates, XLA, 9-53
- backing up, 8-2
- connection handle, obtaining, XLA, 5-10
- destroying, 8-6, 8-8
- RAM usage, 8-10, 8-11, 8-12, 8-14
- replicating, 8-15
- restoring, 8-20

deadlock error, 5-37

deferred prepare

- OCI, 3-13
- ODBC, 2-10

demo applications, Quick Start, 1-5

destroying a database, 8-6, 8-8

diagnostic framework considerations (OCI), 3-12

disaster recovery, 8-15

distributed transaction processing (XA)

- also see XA
- overview, 6-1
- resource manager, 6-2
- transaction manager, 6-2
- transaction recovery, 6-3

DML returning, 2-21

driver manager

- linking with, 1-2
- performance impact, 7-1
- using SQL_WCHAR and SQL_

WVARCHAR, 2-18

- XA, support (Windows), 6-8

dropping a table with XLA bookmark, 5-30

duplicate parameter binding

- in OCI, 3-13

- Oracle vs. TimesTen modes, 2-16

DuplicateBindMode general connection

- attribute, 2-17

DurableCommit, XA, 6-3

E

easy connect

- with OCI, 3-10
- with Pro*C/C++, 4-7

environment variables

- OCI, 3-7
- TimesTen, 1-1

errors

- error and warning levels, 2-35
- error handling, 2-34
- OCI error reporting, 3-12
- Pro*C/C++ error reporting, 4-8
- recovery, 2-36
- transaction log API error handling, 5-28
- utility library errors, count, 8-28
- utility library errors, retrieving, 8-26

event management (XLA), 5-1

execution of SQL

- executing the statement, 2-8
- SQLExecDirect and SQLExecute, 2-7

external user, connecting

- OCI, 3-11
- Pro*C/C++, 4-8

F

failover, 2-36

fetching results

- bulk fetch, prefetch, 2-11, 7-3
- example, 2-10

first connection attributes, 2-6

floating point data, binding, 2-18

freeing memory, utility library environment

- handle, 8-24

G

general connection attributes, 2-6

globalization options

- OCI, 3-3
- ODBC, 2-31

I

-I flag (compiling), 1-3, 1-4

IMDB Cache--see cache

include files, TimesTen (#include), 2-7

info types supported, SQLGetInfo, 10-7

initializing a database handle, XLA, 9-35

input parameters, 2-14

input/output parameters, 2-16
isolation level, 10-4

K

key not found error, 5-37

L

-L flag (compiling), 1-4
linking applications
 AIX considerations, 1-4
 OCI applications, 3-9
 Pro*C/C++ applications, 4-5
 Solaris considerations, 1-4
 UNIX, 1-4
 Windows, 1-3
 with driver manager, 1-2
 with TimesTen driver, 1-2
LOBs
 OCI, 3-19
 ODBC, 2-23
 overview, 2-23
 Pro*C, 4-10
 XLA limitations, 5-9
 XLA support, 5-12, 9-77
-lodbc flag (compiling), 1-4
log record identifier, 5-4

M

materialized views with XLA, 5-3

N

NVARCHAR type, 5-21

O

OCI
 architecture in TimesTen, 3-2
 call support, 3-30
 compiling and linking applications, 3-9
 connecting as external user, 3-11
 connecting to a TimesTen database, 3-9
 deferred prepare, 3-13
 demo applications, 3-12
 descriptor support, 3-37
 diagnostic framework considerations, 3-12
 easy connect, using, 3-10
 environment variables, 3-7
 error reporting, 3-12
 external user connection, 3-11
 handle support, 3-35
 Oracle password, specifying for cache, 3-18
 overview, 3-1
 parameter attribute support, 3-38
 restrictions in TimesTen, 3-5
 signal handling considerations, 3-12
 SQL data type support, 3-37
 statement caching, 3-1, 3-34

TimesTen support, 3-2
 tnsnames, using, 3-9
OCIBindByPos, 3-13
ODBC functions, supported in TimesTen, 10-1
Oracle Call Interface support, 3-1
output parameters, 2-15

P

parallel replication, user-defined, setup and ODBC support, 2-32
parameter binding
 associative array binds in OCI, 3-13
 associative array binds in Pro*C, 4-9
 duplicate parameters in OCI, 3-13
 duplicate parameters in PL/SQL, 2-18
 duplicate parameters in SQL, 2-16
 floating point data, 2-18
 input parameters, 2-14
 input/output parameters, 2-16
 output parameters, 2-15
 parameter type assignments and conversions, 2-13
 SQL_WCHAR and SQL_WVARCHAR with driver manager, 2-18
 SQLBindParameter, 2-12
passthrough
 get status with TT_STMT_PASSTHROUGH_TYPE ODBC option, 2-31, 10-7
 set level with ttOptSetFlag, 2-30
performance
 batch SQL operations, 7-1
 binding parameters, 7-2
 bulk fetch, prefetch, 7-3
 data type conversions, 7-3
 SQLGetData, 7-2
PL/SQL procedures and functions, calling, 2-28
precision, 2-12
prefetch multiple rows, 2-11, 7-3
preparation of SQL
 deferred prepare, 2-10
 preparing the statement, 2-8
privileges--see access control
Pro*C/C++ Precompiler
 architecture in TimesTen, 3-2
 building an application, 4-5, 4-6
 commands and clauses, unsupported or restricted (summary), 4-4
 connecting as external user, 4-8
 connecting to a TimesTen database, 4-6
 connection restrictions, 4-3
 demo applications, 4-9
 easy connect, using, 4-7
 embedded PL/SQL restrictions, 4-3
 embedded SQL restrictions, 4-2
 error reporting, 4-8
 external user connection, 4-8
 getting started, 4-5
 option setting, 4-16
 option support, 4-14

- Oracle password, specifying for cache, 4-7
- overview, 4-1
- semantic checking restrictions, 4-2
- SQLLIB support, 4-2
- TimesTen support, 4-1
- tnsnames, using, 4-7
- transaction restrictions, 4-3

Q

- query results, working with cursors, 2-8
- query threshold (or for any statement), 2-30
- query timeout (or for any statement), 2-29
- Quick Start, demo applications, 1-5

R

- RAM usage
 - ttRamGrace, 8-10
 - ttRamLoad, 8-11
 - ttRamPolicy, 8-12
 - ttRamUnload, 8-14
- record headers, inspecting, XLA, 5-15
- REF CURSORS, 2-19
- replicating a database
 - utility function, 8-15
 - XLA, using for replication, 5-34
- replication invalid, SQLGetInfo info type, 10-8
- resource manager, XA, 6-2
- restoring a database, 8-20
- RETURNING INTO clause, 2-21
- rolling back a transaction
 - utility function, 8-30
 - XLA, 9-60
- rowid
 - convert ROWID to string, XLA, 9-37
 - using rowids, ROWID type, 2-22

S

- sb_ErrXlaTupleMismatch error, 5-38, 9-53, 9-54
- scale, 2-12
- security--see access control
- signal handling considerations (OCI), 3-12
- Solaris, linking considerations, 1-4
- SQL_QUERY_TIMEOUT option, 2-29
- SQL_WCHAR and SQL_WVARCHAR with driver manager, 2-18
- SQLAllocConnect, 2-2
- SQLBindCol, performance, 7-2
- SQLBindParameter
 - arguments, usage, 2-12
 - performance, 7-2
- SQLColAttributes TimesTen descriptors
 - TT_COLUMN_INLINE, 10-9
 - TT_COLUMN_LENGTH_SEMANTICS, 10-9
- SQLConnect, 2-2
- SQLDisconnect, 2-2
- SQLDriverConnect, 2-2, 2-6
- SQLExecDirect, 2-7
- SQLExecute, 2-7

- SQLGetConnectOption, supported options, 10-3
- SQLGetData and performance, 7-2
- SQLGetInfo TimesTen info types
 - TT_DATA_STORE_INVALID, 10-8
 - TT_DATABASE_CHARACTER_SET, 10-8
 - TT_DATABASE_CHARACTER_SET_SIZE, 10-8
 - TT_DATABASE_TYPE_MODE, 10-8
 - TT_PLATFORM_INFO, 10-8
 - TT_REPLICATION_INVALID, 10-8
- SQLGetInfo, supported info types, 10-7
- SQLGetStmtOption() ODBC function
 - TT_STMT_PASSTHROUGH_TYPE option, 2-31
- SQLGetStmtOption, supported options, 10-5
- SQLLIB support (Pro*C/C++), 4-2
- SQLParamOptions function, 7-2
- SQLRowCount, 2-26, 2-31
- SQLSetConnectOption, supported options, 10-3
- SQLSetStmtOption, supported options, 10-5
- statement caching, OCI, 3-1, 3-34
- statement execution (SQL)
 - executing the statement, 2-8
 - SQLExecDirect and SQLExecute, 2-7
- statement options, SQLSetStmtOption and SQLGetStmtOption, supported options, 10-5
- statement preparation (SQL)
 - deferred prepare, 2-10
 - preparing the statement, 2-8

T

- tables to monitor, XLA, 5-11
- threshold for SQL statements, 2-30
- timeout
 - for SQL statements, 2-29
 - handing timeout errors, 5-37
- timesten.h
 - brief description, 2-7
 - globalization options, 2-31
 - ttFailoverCallback_t structure, 2-39
- tnsnames
 - with OCI, 3-9
 - with Pro*C/C++, 4-7
- transaction log API
 - also see XLA
 - bookmarks, 5-4
 - closing handle, 9-8
 - data structures, 9-63
 - demos, 5-9
 - error handling, 5-28
 - functions, overview, 9-1
 - functions, summary, 9-2
 - overview, 5-1
 - replication, 5-34
 - tt_LSN_t data structure, 9-79
 - tt_XlaLsn_t data structure, 9-80
 - ttXlaAcknowledge, 9-6
 - ttXlaApply, 9-53
 - ttXlaClose, 9-8
 - ttXlaColDesc_t data structure, 9-76
 - ttXlaCommit, 9-55

ttXlaConvertType, 9-9
 ttXlaDateToODBCCType, 9-10
 ttXlaDecimalToCString, 9-11
 ttXlaDeleteBookmark, 9-13
 ttXlaError, 9-14
 ttXlaErrorRestart, 9-16
 ttXlaGenerateSQL, 9-56
 ttXlaGetColumnInfo, 9-17
 ttXlaGetLSN, 9-19
 ttXlaGetTableInfo, 9-20
 ttXlaGetVersion, 9-21
 ttXlaLookup, 9-58
 ttXlaNextUpdate, 9-22
 ttXlaNextUpdateWait, 9-24
 ttXlaNodeHdr_t data structure, 9-64
 ttXlaNumberToBigInt, 9-26
 ttXlaNumberToCString, 9-27
 ttXlaNumberToDouble, 9-28
 ttXlaNumberToInt, 9-29
 ttXlaNumberToSmallInt, 9-30
 ttXlaNumberToTinyInt, 9-31
 ttXlaNumberToUInt, 9-32
 ttXlaOraDateToODBCTimeStamp, 9-33
 ttXlaOraTimeStampToODBCTimeStamp, 9-34
 ttXlaPersistOpen, 9-35
 ttXlaRollback, 9-60
 ttXlaRowdToCString, 9-37
 ttXlaSetLSN, 9-38
 ttXlaSetVersion, 9-39
 ttXlaTableByName, 9-40
 ttXlaTableCheck, 9-61
 ttXlaTableStatus, 9-41
 ttXlaTableVersionVerify, 9-44
 ttXlaTblDesc_t data structure, 9-74
 ttXlaTblVerDesc_t data structure, 9-75
 ttXlaTimeStampToODBCCType, 9-47
 ttXlaTimeToODBCCType, 9-46
 ttXlaUpdateDesc_t data structure, 9-65
 ttXlaVersion_t data structure, 9-73
 ttXlaVersionColumnInfo, 9-48
 ttXlaVersionCompare, 9-49
 ttXlaVersionTableInfo, 9-51
 transaction manager, XA, 6-2
 TT_COLUMN_INLINE SQLColAttributes
 descriptor, 10-9
 TT_COLUMN_LENGTH_SEMANTICS
 SQLColAttributes descriptor, 10-9
 TT_DATA_STORE_INVALID SQLGetInfo info
 type, 10-8
 TT_DATABASE_CHARACTER_SET SQLGetInfo info
 type, 10-8
 TT_DATABASE_CHARACTER_SET_SIZE
 SQLGetInfo info type, 10-8
 TT_DATABASE_TYPE_MODE SQLGetInfo info
 type, 10-8
 tt_ErrBadXlaRecord, 5-29
 tt_ErrCondLockConflict, 5-29
 tt_ErrDbAllocFailed, 5-29
 tt_ErrDeadlockVictim, 5-29
 tt_ErrDeadlockVictim error, 5-37
 tt_ErrPermSpaceExhausted, 5-29
 tt_ErrTempSpaceExhausted, 5-29
 tt_ErrTimeoutVictim, 5-29
 tt_ErrTimeoutVictim error, 5-37
 tt_ErrXlaBookmarkUsed, 5-29
 tt_ErrXlaDedicatedConnection, 5-30
 tt_ErrXlaLsnBad, 5-29
 tt_ErrXlaNoLogging, 5-29
 tt_ErrXlaNoSQL, 5-29
 tt_ErrXlaParameter, 5-30
 tt_ErrXlaTableDiff, 5-30
 tt_ErrXlaTableSystem, 5-30
 tt_ErrXlaTupleMismatch, 5-30
 tt_LSN_t data structure, XLA, 9-79
 TT_NLS_LENGTH_SEMANTICS ODBC
 option, 2-32
 TT_NLS_NCHAR_CONV_EXCP ODBC option, 2-32
 TT_NLS_SORT ODBC option, 2-31
 TT_PLATFORM_INFO SQLGetInfo info type, 10-8
 TT_PREFETCH_CLOSE connection option, 1-2
 TT_PREFETCH_COUNT, 2-11, 7-3
 TT_QUERY_THRESHOLD, 2-30
 TT_REPLICATION_INVALID SQLGetInfo info
 type, 10-8
 TT_STMT_PASSTHROUGH_TYPE ODBC
 option, 10-7
 tt_xa_context() function, XA, 6-4
 tt_xa_switch, XA, 6-7
 tt_xla.h include file, 5-10
 tt_XlaLsn_t data structure, XLA, 9-80
 ttApplicationContext, 5-39, 9-65
 ttBackup, 8-2
 ttCkpt built-in procedure, 5-31
 ttCkptBlocking built-in procedure, 5-31
 ttDestroyDataStore, 8-6
 ttDestroyDataStoreForce, 8-8
 ttDurableCommit, XA, 6-3
 ttRamGrace, 8-10
 ttRamLoad, 8-11
 ttRamPolicy, 8-12
 ttRamUnload, 8-14
 ttRepDuplicateEx, 8-15
 ttRestore, 8-20
 ttSrcScan utility, 3-6, 4-5
 ttUtilAllocEnv, 8-22
 ttUtilFreeEnv, 8-24
 ttUtilGetError, 8-26
 ttUtilGetErrorCount, 8-28
 ttXactIdGet built-in procedure, 8-30
 ttXactIdRollback, 8-30
 ttxadm43.dll library, XA, 6-8
 ttXlaAcknowledge, 5-13, 9-6
 ttXlaApply, 5-36, 9-53
 ttXlaBookmarkDelete built-in procedure, 5-32
 ttXlaClose, 9-8
 ttXlaColDesc_t, 5-18
 ttXlaColDesc_t data structure, XLA, 9-76
 ttXlaCommit, 5-37, 9-55
 ttXlaConvertCharType, 9-9
 ttXlaDateToODBCCType, 5-23, 9-10

- ttXlaDecimalToCString, 5-23, 9-11
- ttXlaDeleteBookmark, 5-31, 9-13
- ttXlaError, 5-29, 9-14
- ttXlaErrorRestart, 5-29, 9-16
- ttXlaGenerateSQL, 5-38, 9-56
- ttXlaGetColumnInfo, 5-18, 9-17
- ttXlaGetLSN, 5-38, 9-19
- ttXlaGetTableInfo, 5-18, 9-20
- ttXlaGetVersion, 9-21
- ttXlaHandle_h XLA handle, 5-11
- ttXlaLookup, 9-58
- ttXlaNextUpdate, 5-13, 9-22
- ttXlaNextUpdateWait, 5-13, 9-24
- ttXlaNodeHdr_t, 9-64
- ttXlaNodeHdr_t data structure, XLA, 9-64
- ttXlaNumberToBigInt, 5-23, 9-26
- ttXlaNumberToCString, 5-23, 9-27
- ttXlaNumberToDouble, 5-23, 9-28
- ttXlaNumberToInt, 5-23, 9-29
- ttXlaNumberToSmallInt, 5-23, 9-30
- ttXlaNumberToTinyInt, 5-23, 9-31
- ttXlaNumberToUInt, 5-23, 9-32
- ttXlaOraDateToODBCTimeStamp, 5-24, 9-33
- ttXlaOraTimeStampToODBCTimeStamp, 5-24, 9-34
- ttXlaPersistOpen, 5-11, 9-35
- ttXlaRollback, 5-37, 9-60
- ttXlaRowdToCString, 9-37
- ttXlaSetLSN, 5-38, 9-38
- ttXlaSetVersion, 9-39
- ttXlaTableByName, 5-12, 9-40
- ttXlaTableCheck, 9-61
- ttXlaTableStatus, 5-12, 9-41
- ttXlaTableVersionVerify, 9-44
- ttXlaTblDesc_t data structure, XLA, 9-74
- ttXlaTblVerDesc_t data structure, XLA, 9-75
- ttXlaTimeStampToODBCCType, 5-23, 5-24, 9-47
- ttXlaTimeToODBCCType, 5-23, 5-24, 9-46
- ttXlaUnsubscribe built-in procedure, 5-31
- ttXlaUpdateDesc_t
 - description, usage, 9-65
 - rows of data following in update record, 5-17
 - TT_AGING flag, 9-67
 - TT_CASCADE flag, 9-67
 - TT_UPDCOLS flag, 9-67
 - TT_UPDCOMMIT flag, 9-67
 - TT_UPDDEFAULT flag, 9-67
 - TT_UPDFIRST flag, 9-67
 - TT_UPDREPL flag, 9-67
 - ttXlaAddColumnTup_t, 9-69
 - ttXlaCreateIndexTup_t, 9-68
 - ttXlaCreateSeqTup_t, 9-70
 - ttXlaCreateSynTup_t, 9-71
 - ttXlaDropColumnTup_t, 9-69
 - ttXlaDropindexTup_t, 9-69
 - ttXlaDropSeqTup_t, 9-70
 - ttXlaDropSynTup_t, 9-71
 - ttXlaDropTableTup_t, 9-68
 - ttXlaDropViewTup_t, 9-71
 - ttXlaSetColumnTup_t, 9-72
 - ttXlaSetStatusTup_t, 9-72

- ttXlaSetTableTup_t, 9-71
- ttXlaTruncateTableTup_t, 9-68
- ttXlaViewDesc_t, 9-70
- update header, described, 5-13
- what it describes, 5-15
- ttXlaVersion_t data structure, XLA, 9-73
- ttXlaVersionColumnInfo, 9-48
- ttXlaVersionCompare, 9-49
- ttXlaVersionTableInfo, 9-51
- Tuxedo, configuration for XA, 6-8
- two-phase commit protocol, XA, 6-2
- type mapping/conversion for parameter
 - binding, 2-13

U

- UBBCONFIG file, XA, 6-10
- UNIX, compiling and linking applications, 1-4
- update conflicts, XLA, 5-38
- update records, retrieving, XLA, 5-13
- Utility Library
 - described, overview, 8-1
 - ttBackup, back up database, 8-2
 - ttDestroyDataStore, destroy database, 8-6
 - ttDestroyDataStoreForce, destroy database, 8-8
 - ttRamGrace, RAM usage, 8-10
 - ttRamLoad, RAM usage, 8-11
 - ttRamPolicy, RAM usage, 8-12
 - ttRamUnload, RAM usage, 8-14
 - ttRepDuplicateEx, replicate database, 8-15
 - ttRestore, restore database, 8-20
 - ttUtilAllocEnv, allocate library environment
 - handle, 8-22
 - ttUtilFreeEnv, free library environment
 - handle, 8-24
 - ttUtilGetError, utility library errors, 8-26
 - ttUtilGetErrorCount, utility library error
 - count, 8-28
 - ttXactIdRollback, roll back transaction, 8-30

V

- VARBINARY type, 5-21
- VARCHAR type, 5-21

W

- Windows, compiling and linking applications, 1-3

X

- XA
 - AUTOCOMMIT with XA, 6-6
 - driver manager support (Windows), 6-8
 - DurableCommit, 6-3
 - resource manager, 6-2
 - transaction manager, 6-2
 - transaction recovery, 6-3
 - tt_xa_context() function, 6-4
 - tt_xa_switch, 6-7
 - ttDurableCommit, 6-3

- Tuxedo configuration, 6-8
- two-phase commit, 6-2
- XID parameter, 6-4
- xa_close() function, 6-4
- xa_open() function, 6-4
- xa_switch_t, 6-6
- XID parameter, XA, 6-4
- XLA
 - access control, 5-8
 - acknowledge records have been read, 9-6
 - also see transaction log API
 - also see XLA bookmarks
 - application context, passing, 5-39
 - applying database updates, 9-53
 - closing a transaction log API handle, XLA, 9-8
 - column data, inspecting, 5-17
 - column information, retrieving, 9-17
 - committing a transaction, 9-55
 - concepts, 5-1
 - data structures, 9-63
 - data types, 5-7
 - database connection handle, obtaining, 5-10
 - dropping a table with bookmark, 5-30
 - errors, reading transaction log errors, 9-14
 - errors, resetting the transaction log error stack, 9-16
 - event-handler application, 5-9
 - functions, overview, 9-1
 - functions, summary, 9-2
 - initializing a database handle, 9-35
 - limitations, 5-8
 - LOB support, 5-12, 9-77
 - materialized views, using, 5-3
 - record headers, inspecting, 5-15
 - record, looking up, 9-58
 - replication using XLA, 5-34
 - rolling back a transaction, 9-60
 - table compatibility, verifying, 9-61
 - table information, retrieving, 9-20, 9-40
 - table status, 9-41
 - tables to monitor, specifying, 5-11
 - terminating XLA application, 5-32
 - update conflicts, 5-38
 - update data, retrieving, 9-22
 - update records, retrieving, 5-13
 - version, retrieving the Transaction Log API version, 9-21
 - version, setting the Transaction Log API version, 9-39
 - XLA handle, initializing, 5-11
- XLA bookmarks
 - creating or reusing, 5-4
 - deleting, 5-31, 9-13
 - determining tables subscribed to, 5-11
 - how they work, 5-4
 - location, changing, 5-39
 - overview, 5-4
 - replicated bookmarks, 5-6
 - reporting DDL events, 5-11
- X/Open DTP model, 6-1

